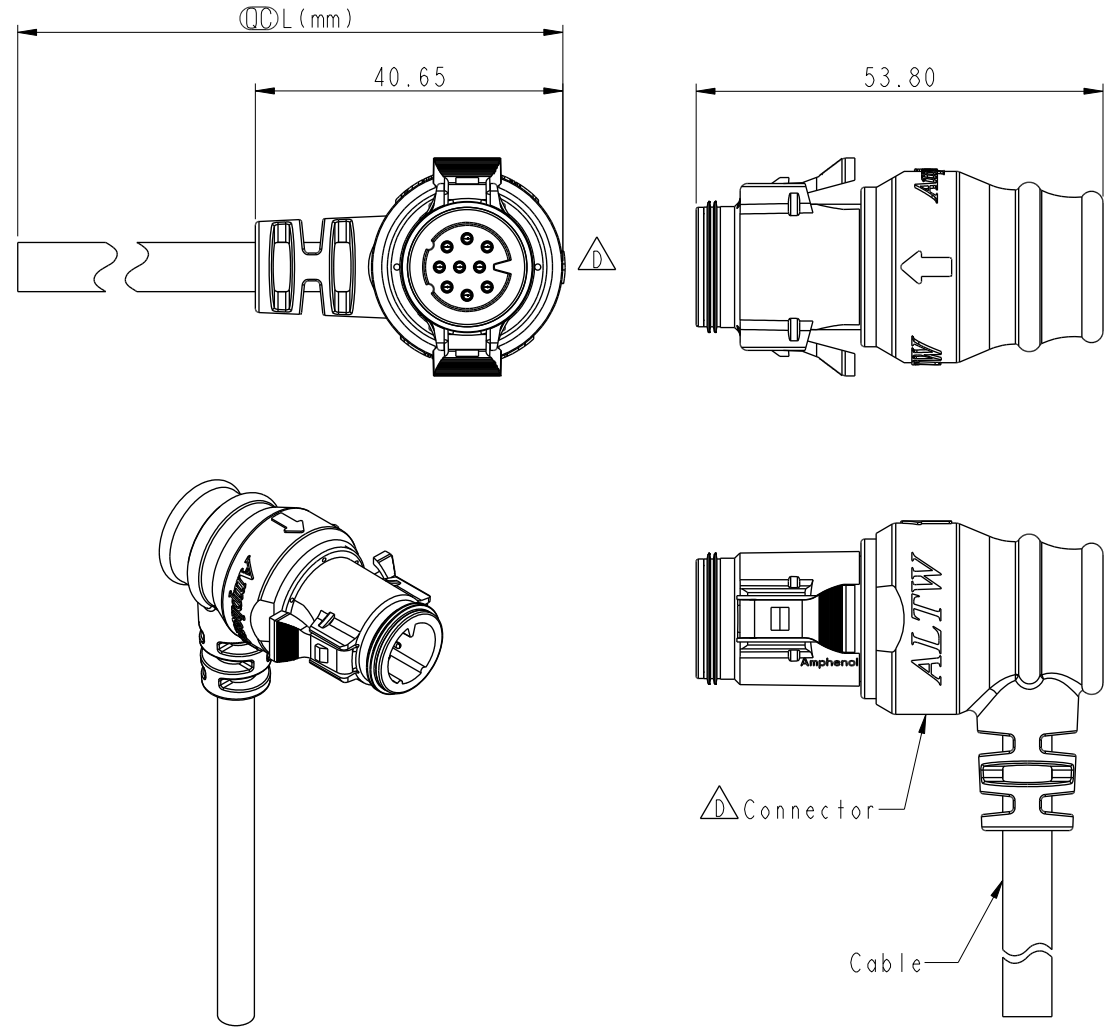


THIS DOCUMENT IS SUBJECT TO CHANGE WITHOUT NOTICE. IT IS CONFIDENTIAL AND A PROPERTY OF AMPHENOL LTW. DISCLOSURE TO THIRD PARTY HAS TO BE AUTHORIZED BY AMPHENOL LTW.

REV.	ECN NO.	DATE	SIGN	DESCRIPTION
B	LEN1580178~79	2015/08/08	Lu Di	Change To Common Drawing
C	LEN15B0376~380	2015/11/10	Joyy	Add 7-8 And 9 Pin To The Common Drawing
D	C230312	2023/03/10	Ruru	$\triangle D$ X7



$\triangle D$
CD-XXAMMM-RR7AXX

XX: No. Of Pin

XX: 01~99Meters
01: 01Meter
02: 02Meters
:
99: 99Meters

Note: $\triangle D$

- * RoHS Compliant
- * ⌀ Important dimension
- * Waterproof rate: IP67, mated
- * Connector
- Housing: Thermoplastic, Black
- Pin: Copper Alloy, Gold Plated
- Gasket: Rubber, Gray
- O-Ring: Rubber, Gray
- Outer mold: Thermoplastic, Black
- * Cable: UL2464, PVC Jacket, Black
- * Cable length tolerance: 1M: +50/-0 mm
- 1M < L ≤ 3M: +100/-0 mm
- 3M < L ≤ 5M: +150/-0 mm
- 5M < L ≤ 10M: ±100 mm
- 10M < L ≤ 20M: ±200 mm
- 20M < L ≤ 30M: ±300 mm
- 30M < L ≤ 99M: ±500 mm
- * Prohibiting the use of place in oils

UNIT:mm TOLERANCE ±0.5	TITLE RBL, C-5A, CABLE W/SR M, M, MOLDING, RBL $\triangle D$		
	SCALE 1:1	SIZE A4	SHEET 1 OF 2
	REV. D	WC-REV. A.3	⌀ : Inspection item

Amphenol LTW
安費諾亮泰企業股份有限公司

ITEM NO	DRAWN BY Joyy	DATE 2015-11-10
DWG NO CD-XXAMMM-RR7AXX	CHECKED BY Lu Di	DATE 2015-11-10
CUSTOMER ALTW	APPROVED BY Jerry	DATE 2015-11-10

THIS DOCUMENT IS SUBJECT TO CHANGE WITHOUT NOTICE. IT IS CONFIDENTIAL AND A PROPERTY OF Amphenol LTW. DISCLOSURE TO THIRD PARTY HAS TO BE AUTHORIZED BY Amphenol LTW.

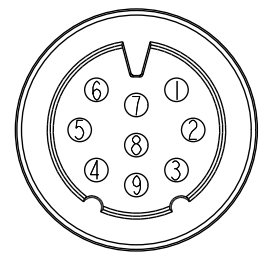
1 2 3 4 5 6 7 8

△B

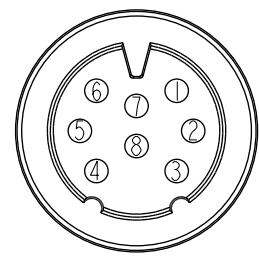
△B △C △D

9P	7.4	20	CD-09AMMM-RR7AXX
8P	6.8		CD-08AMMM-RR7AXX
7P	6.5		CD-07AMMM-RR7AXX
6P	6.5		CD-06AMMM-RR7AXX
5P	6.0		CD-05AMMM-RR7AXX
4P	5.5		CD-04AMMM-RR7AXX
3P	5.5		CD-03AMMM-RR7AXX
2P	5.5		CD-02AMMM-RR7AXX
Contacts	Cable OD	AWG	Part No.

9	White 白	9	--
8	Purple 紫	8	Purple 紫
7	Red 紅	7	Red 紅
6	Green 綠	6	Green 綠
5	Yellow 黃	5	Yellow 黃
4	Blue 藍	4	Blue 藍
3	Orange 橘	3	Orange 橘
2	Brown 棕	2	Brown 棕
1	Black 黑	1	Black 黑



9Pin



8Pin

F

E

D

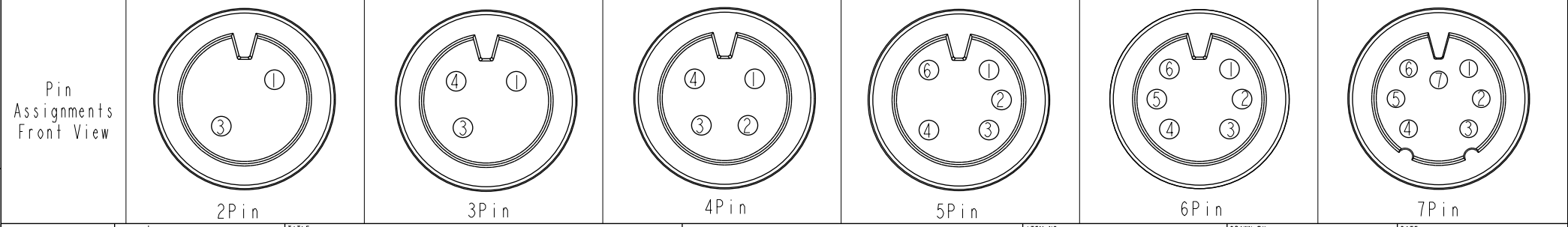
△C

C

B

A

Pin Out	4	--	4	Blue 藍	4	Blue 藍	6	Green 綠	6	Grey 灰	9	--
	3	White 白	3	White 白	3	White 白	5	--	5	Yellow 黃	8	--
	2	--	2	--	2	Brown 棕	4	Black 黑	4	Green 綠	7	Red 紅
	1	Black 黑	1	Black 黑	1	Black 黑	3	Blue 藍	3	White 白	6	Green 綠
							2	White 白	2	Blue 藍	5	Yellow 黃
							1	Brown 棕	1	Brown 棕	4	Blue 藍
											3	Orange 橘
											2	Brown 棕
											1	Black 黑



UNIT:mm		TITLE	RBL, C-5A, CABLE W/SR M, M, MOLDING, RBL		ITEM NO	DRAWN BY	DATE
TOLERANCE ±0.5		SCALE	1:1	SIZE	A4	SHEET	2 OF 2
		REV.	D	WC-REV.	A.3	◎: Inspection item	
<h1>Amphenol LTW</h1> <p>安費諾亮泰企業股份有限公司</p>				DWG NO	CD-XXAMMM-RR7AXX	CHECKED BY	Lu Di
				CUSTOMER	ALTW	APPROVED BY	Jerry
				DATE	2015-11-10	DATE	2015-11-10

1 2 3 4 5 6 7 8 W10814-03-001A2