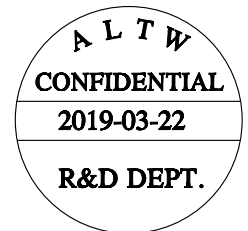
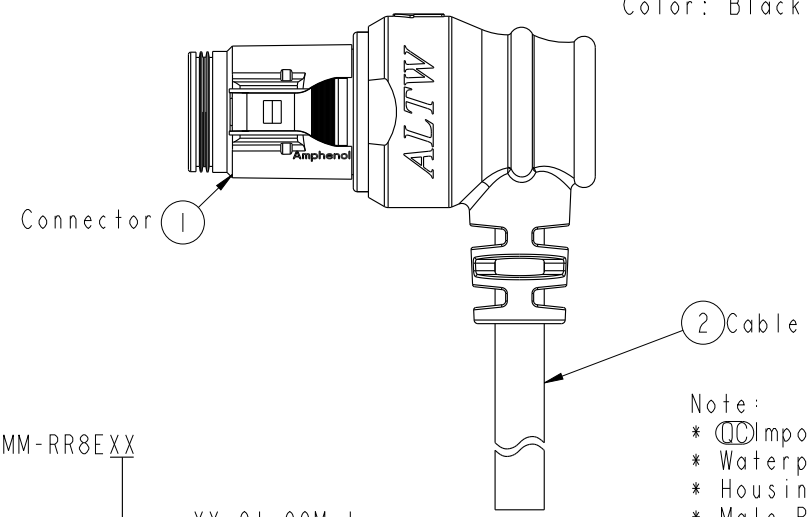
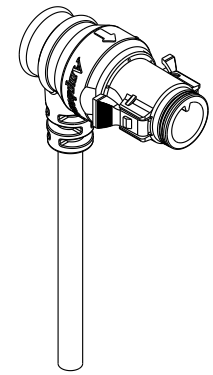
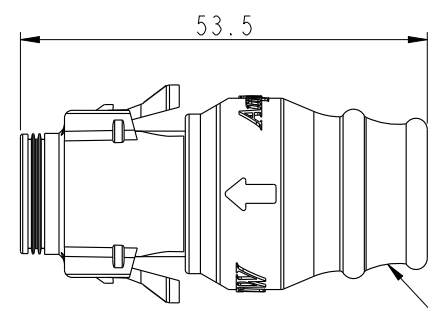
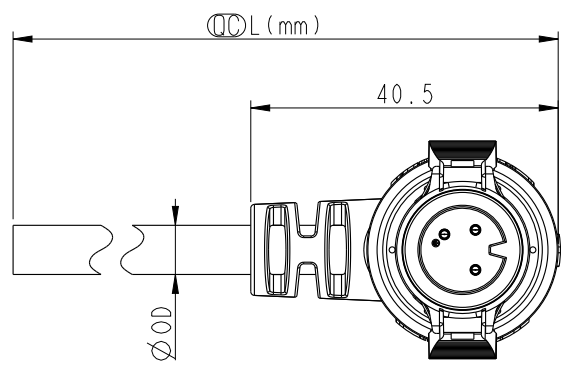


THIS DOCUMENT IS SUBJECT TO CHANGE WITHOUT NOTICE. IT IS CONFIDENTIAL AND A PROPERTY OF Amphenol LTW. DISCLOSURE TO THIRD PARTY HAS TO BE AUTHORIZED BY Amphenol LTW.

REV.	ECN NO.	DATE	SIGN	DESCRIPTION



CD-03AMMM-RR8EXX  
 XX: 01~99Meter  
 0T: 01Meter  
 02: 02Meter  
 ...  
 99: 99Meter

- Note:
- \*  $\varnothing$  Important Dimension To Check.
  - \* Waterproof Rate: IP68
  - \* Housing: M-PPE, Black.
  - \* Male Pin: Copper Alloy, Gold Plated.
  - \* Gasket: Silicone, Gray.
  - \* Cable: SJTW 18#\*3C, PVC Jacket, UV Resistant, OD=8.0mm, Black.
  - \* Cable Length Tolerance:
    - 01M: ±40mm
    - 02M~05M: ±60mm
    - 06M~10M: ±100mm
    - 11M~30M: ±200mm
    - 31M~99M: ±500mm
- \* Prohibiting the use of place in oils

Pin Out	4 Green 綠 3 White 白 1 Black 黑
Pin Assignments Front View	

<b>UNIT:mm</b> <b>TOLERANCE</b> ±0.5		TITLE MIDDLE CABLE RBL M CONN M PIN		<b>Amphenol LTW</b> 安費諾亮泰企業股份有限公司		ITEM NO. CD-03AMMM-RR8EXX	DRAWN BY Peng	DATE 2019-03-22
	SCALE 1:1	SIZE A4	SHEET 1 OF 1	DWG NO. CD-03AMMM-RR8EXX		CHECKED BY Mafei	DATE 2019-03-22	
	REV. A	WC-REV. A.1	$\varnothing$ : Inspection item	CUSTOMER ALTW	APPROVED BY Jerry	DATE 2019-03-22		