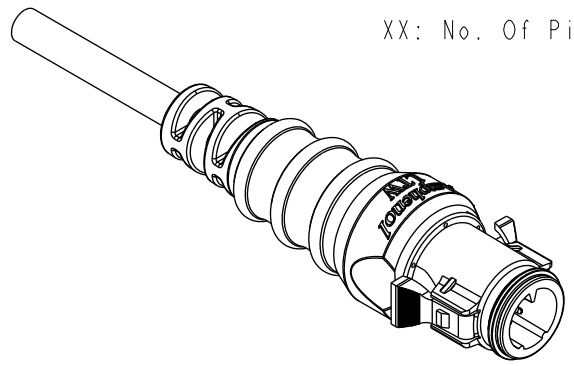
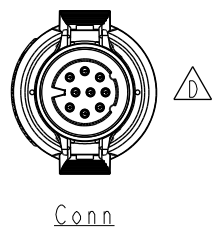
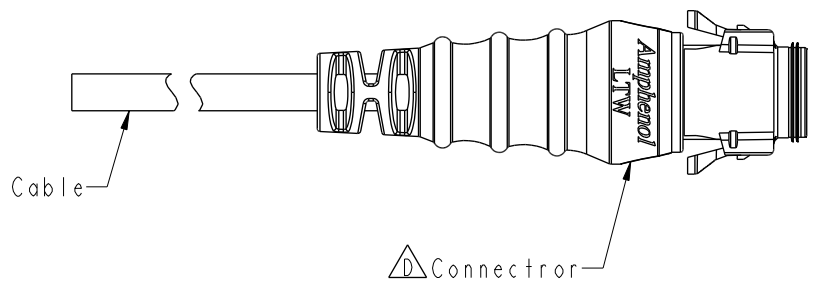
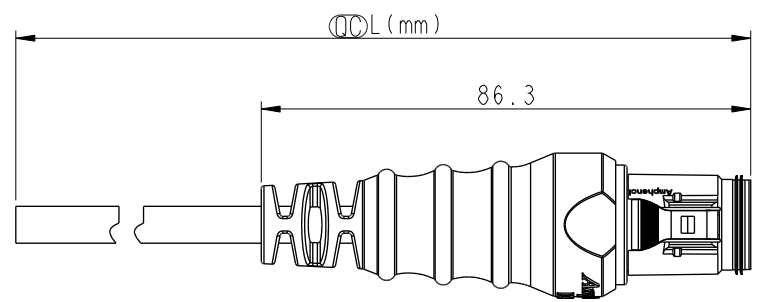
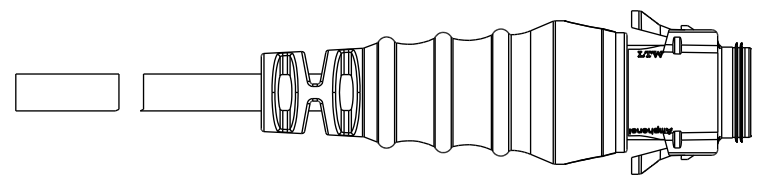


THIS DOCUMENT IS SUBJECT TO CHANGE WITHOUT NOTICE. IT IS CONFIDENTIAL AND A PROPERTY OF Amphenol LTW. DISCLOSURE TO THIRD PARTY HAS TO BE AUTHORIZED BY Amphenol LTW.

REV.	ECN NO.	DATE	SIGN	DESCRIPTION
B	LE31570314~15	2015/07/18	Lu Di	Change To Common drawing
C	LEN15B0366~370	2015/11/10	Joyy	Add 7-8 And 9 Pin To The Common Drawing
D	C230312	2023/03/10	Ruru	$\triangle D$ X7



$\triangle D$
CD-XXAMMM-RL7AXX

XX: No. Of Pin

XX: 01~99Meters
01: 01Meter
02: 02Meters
:
99: 99Meters

Note: $\triangle D$

- * RoHS Compliant
- * \odot Important dimension
- * Waterproof rate: IP67, mated
- * Connector
- Housing: Thermoplastic, Black
- Pin: Copper Alloy, Gold Plated
- Gasket: Rubber, Gray
- O-Ring: Rubber, Gray
- Outer mold: Thermoplastic, Black
- * Cable: UL2464, PVC Jacket, Black
- * Cable length tolerance: 1M: +50/-0 mm
1M < L ≤ 3M: +100/-0 mm
3M < L ≤ 5M: +150/-0 mm
5M < L ≤ 10M: ±100 mm
10M < L ≤ 20M: ±200 mm
20M < L ≤ 30M: ±300 mm
30M < L ≤ 99M: ±500 mm
- * Prohibiting the use of place in oils

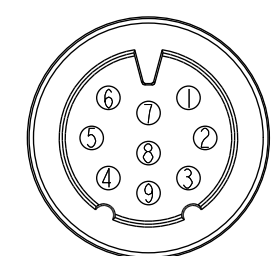
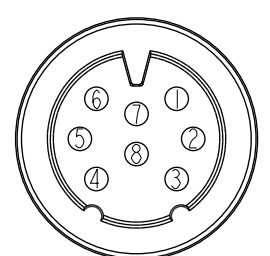
UNIT:mm TOLERANCE ±0.5	TITLE RBL, C-5A, CABLE W/SR M, M, MOLDING, RBL $\triangle D$	
	SCALE 3:4	SIZE A4
	REV. D	SHEET 1 OF 2
	WC-REV. A.2	\odot : Inspection item

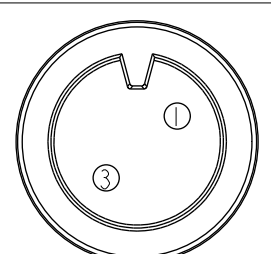
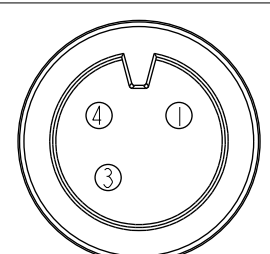
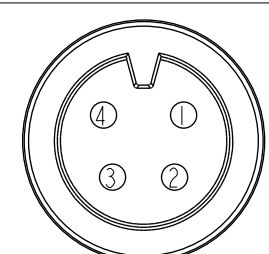
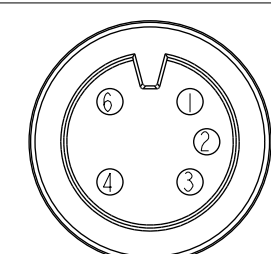
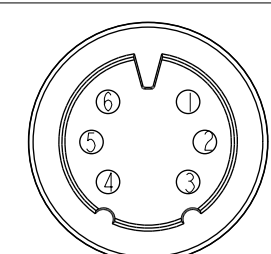
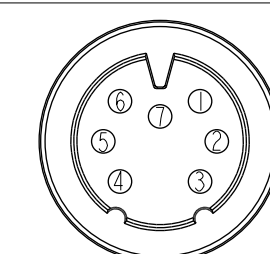
Amphenol LTW
安費諾亮泰企業股份有限公司

ITEM NO	DRAWN BY Joyy	DATE 2015-11-10
DWG NO CD-XXAMMM-RL7AXX	CHECKED BY Lu Di	DATE 2015-11-10
CUSTOMER ALTW	APPROVED BY Jerry	DATE 2015-11-10

THIS DOCUMENT IS SUBJECT TO CHANGE WITHOUT NOTICE. IT IS CONFIDENTIAL AND A PROPERTY OF Amphenol LTW. DISCLOSURE TO THIRD PARTY HAS TO BE AUTHORIZED BY Amphenol LTW.

1 2 3 4 5 6 7 8

F	B	<table border="1"> <tr> <td>9P</td> <td>7.4</td> <td rowspan="9">20</td> <td>CD-09AMMM-RL7AXX</td> </tr> <tr> <td>8P</td> <td>6.8</td> <td>CD-08AMMM-RL7AXX</td> </tr> <tr> <td>7P</td> <td>6.5</td> <td>CD-07AMMM-RL7AXX</td> </tr> <tr> <td>6P</td> <td>6.5</td> <td>CD-06AMMM-RL7AXX</td> </tr> <tr> <td>5P</td> <td>6.0</td> <td>CD-05AMMM-RL7AXX</td> </tr> <tr> <td>4P</td> <td>5.5</td> <td>CD-04AMMM-RL7AXX</td> </tr> <tr> <td>3P</td> <td>5.5</td> <td>CD-03AMMM-RL7AXX</td> </tr> <tr> <td>2P</td> <td>5.5</td> <td>CD-02AMMM-RL7AXX</td> </tr> <tr> <td>Contacts</td> <td>Cable OD</td> <td>AWG</td> <td>Part No.</td> </tr> </table>	9P	7.4	20	CD-09AMMM-RL7AXX	8P	6.8	CD-08AMMM-RL7AXX	7P	6.5	CD-07AMMM-RL7AXX	6P	6.5	CD-06AMMM-RL7AXX	5P	6.0	CD-05AMMM-RL7AXX	4P	5.5	CD-04AMMM-RL7AXX	3P	5.5	CD-03AMMM-RL7AXX	2P	5.5	CD-02AMMM-RL7AXX	Contacts	Cable OD	AWG	Part No.	<table border="1"> <tr> <td>9</td> <td>White</td> <td>白</td> <td>9</td> <td>--</td> </tr> <tr> <td>8</td> <td>Purple</td> <td>紫</td> <td>8</td> <td>Purple</td> <td>紫</td> </tr> <tr> <td>7</td> <td>Red</td> <td>紅</td> <td>7</td> <td>Red</td> <td>紅</td> </tr> <tr> <td>6</td> <td>Green</td> <td>綠</td> <td>6</td> <td>Green</td> <td>綠</td> </tr> <tr> <td>5</td> <td>Yellow</td> <td>黃</td> <td>5</td> <td>Yellow</td> <td>黃</td> </tr> <tr> <td>4</td> <td>Blue</td> <td>藍</td> <td>4</td> <td>Blue</td> <td>藍</td> </tr> <tr> <td>3</td> <td>Orange</td> <td>橘</td> <td>3</td> <td>Orange</td> <td>橘</td> </tr> <tr> <td>2</td> <td>Brown</td> <td>棕</td> <td>2</td> <td>Brown</td> <td>棕</td> </tr> <tr> <td>1</td> <td>Black</td> <td>黑</td> <td>1</td> <td>Black</td> <td>黑</td> </tr> </table>	9	White	白	9	--	8	Purple	紫	8	Purple	紫	7	Red	紅	7	Red	紅	6	Green	綠	6	Green	綠	5	Yellow	黃	5	Yellow	黃	4	Blue	藍	4	Blue	藍	3	Orange	橘	3	Orange	橘	2	Brown	棕	2	Brown	棕	1	Black	黑	1	Black	黑
			9P	7.4		20	CD-09AMMM-RL7AXX																																																																														
8P	6.8	CD-08AMMM-RL7AXX																																																																																			
7P	6.5	CD-07AMMM-RL7AXX																																																																																			
6P	6.5	CD-06AMMM-RL7AXX																																																																																			
5P	6.0	CD-05AMMM-RL7AXX																																																																																			
4P	5.5	CD-04AMMM-RL7AXX																																																																																			
3P	5.5	CD-03AMMM-RL7AXX																																																																																			
2P	5.5	CD-02AMMM-RL7AXX																																																																																			
Contacts	Cable OD	AWG	Part No.																																																																																		
9	White	白	9	--																																																																																	
8	Purple	紫	8	Purple	紫																																																																																
7	Red	紅	7	Red	紅																																																																																
6	Green	綠	6	Green	綠																																																																																
5	Yellow	黃	5	Yellow	黃																																																																																
4	Blue	藍	4	Blue	藍																																																																																
3	Orange	橘	3	Orange	橘																																																																																
2	Brown	棕	2	Brown	棕																																																																																
1	Black	黑	1	Black	黑																																																																																
E	C		 <p>9Pin</p>	 <p>8Pin</p>																																																																																	

C	Pin Out	4 --	4 Blue 藍	4 Blue 藍	6 Green 綠	6 Grey 灰	9 --
		3 White 白	3 White 白	3 White 白	5 --	5 Yellow 黃	8 --
B	Pin Assignments Front View	2 --	2 --	2 Brown 棕	4 Black 黑	4 Green 綠	7 Red 紅
		1 Black 黑	1 Black 黑	1 Black 黑	3 Blue 藍	3 White 白	6 Green 綠
A	TOLERANCE ±0.5	 <p>2Pin</p>	 <p>3Pin</p>	 <p>4Pin</p>	 <p>5Pin</p>	 <p>6Pin</p>	 <p>7Pin</p>

UNIT:mm	 	TITLE	RBL, C-5A, CABLE W/SR M, M, MOLDING, RBL		ITEM NO	CD-XXAMMM-RL7AXX	DRAWN BY	Joyy	DATE	2015-11-10	
		SCALE	3:4	SIZE	A4	SHEET	2	OF	2	DATE	2015-11-10
		REV.	D	WC-REV.	A.2	 Inspection item		APPROVED BY	Jerry	DATE	2015-11-10
					Amphenol LTW 安費諾亮泰企業股份有限公司		CUSTOMER	ALTW			

1 2 3 4 5 6 7 8 W10814-03-001A2