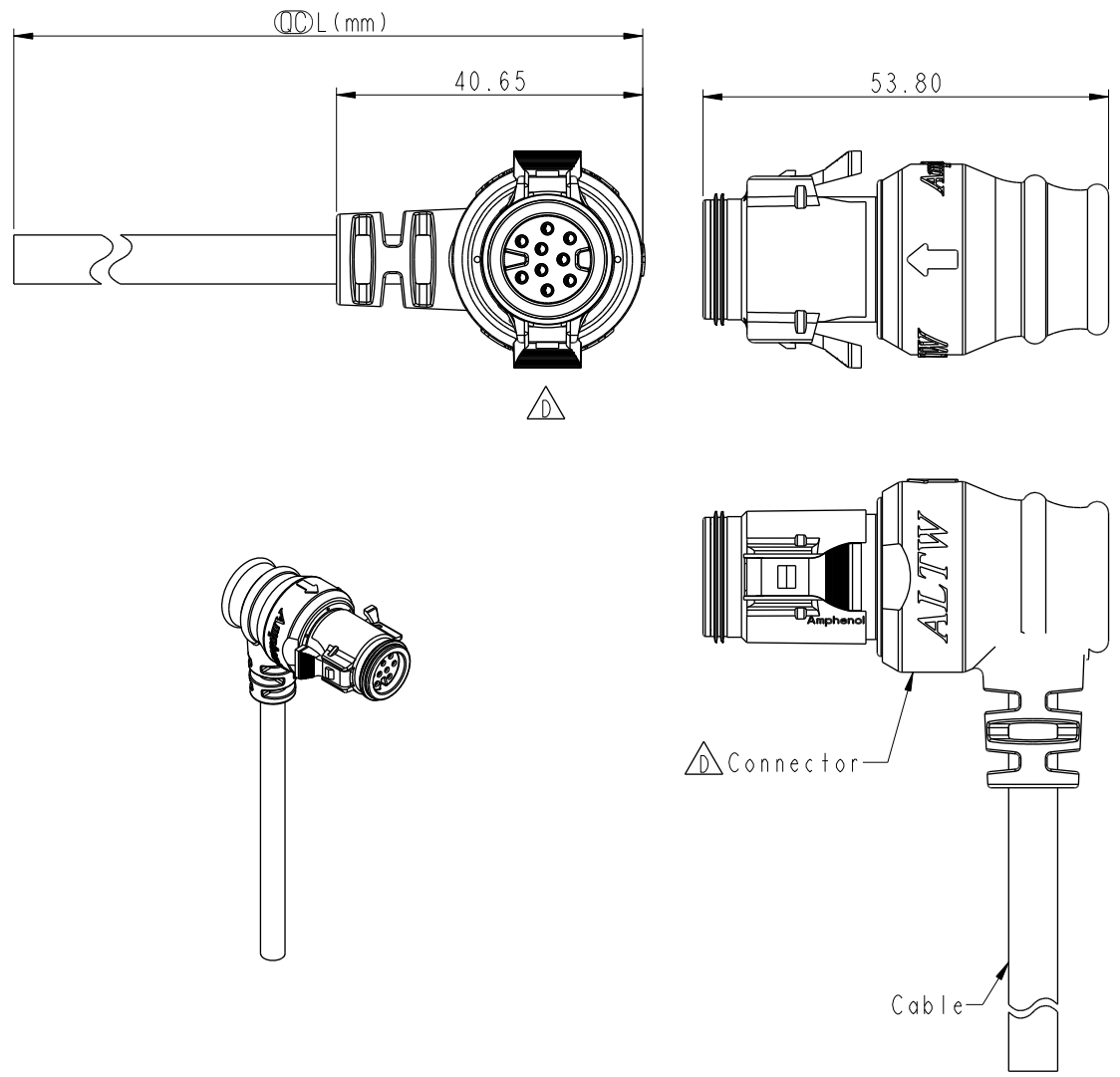


THIS DOCUMENT IS SUBJECT TO CHANGE WITHOUT NOTICE. IT IS CONFIDENTIAL AND A PROPERTY OF AMPHENOL LTW. DISCLOSURE TO THIRD PARTY HAS TO BE AUTHORIZED BY AMPHENOL LTW.

REV.	ECN NO.	DATE	SIGN	DESCRIPTION
B	LEN1580180~81	2015/08/10	Lu Di	Change To Common Drawing
C	LEN15B0396~400	2015/11/10	Joyy	Add 7-8 And 9 Pin To The Common Drawing
D	C230222	2023/02/21	Ruru	$\triangle D$ X7



$\triangle D$   
CD-XXAMFM-RR7AXX

XX: No. Of Pin

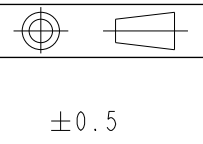
XX: 01~99Meters  
 01: 01Meter  
 02: 02Meters  
 :  
 99: 99Meters

Note:  $\triangle D$

- \* RoHS Compliant
- \*  $\odot$  Important dimension
- \* Waterproof rate: IP67, mated
- \* Connector
- Housing: Thermoplastic, Black
- Pin: Copper Alloy, Gold Plated
- Gasket: Rubber, Gray
- O-Ring: Rubber, Gray
- Outer mold: Thermoplastic, Black
- \* Cable: UL2464, PVC Jacket, Black
- \* Cable length tolerance: 1M: +50/-0 mm
- 1M < L ≤ 3M: +100/-0 mm
- 3M < L ≤ 5M: +150/-0 mm
- 5M < L ≤ 10M: ±100 mm
- 10M < L ≤ 20M: ±200 mm
- 20M < L ≤ 30M: ±300 mm
- 30M < L ≤ 99M: ±500 mm

\* Prohibiting the use of place in oils

UNIT:mm  
TOLERANCE



TITLE RBL, C-5A, CABLE W/SR M, F, MOLDING, RBL $\triangle D$			
SCALE 1:1	SIZE A4	SHEET 1 OF 2	
REV. D	WC-REV. .0	$\odot$ : Inspection item	

**Amphenol LTW**  
安費諾亮泰企業股份有限公司

ITEM NO	DRAWN BY Joyy	DATE 2015-11-10
DWG NO CD-XXAMFM-RR7AXX	CHECKED BY Lu Di	DATE 2015-11-10
CUSTOMER ALTW	APPROVED BY Jerry	DATE 2015-11-10

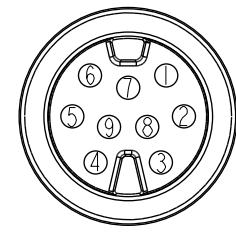
THIS DOCUMENT IS SUBJECT TO CHANGE WITHOUT NOTICE. IT IS CONFIDENTIAL AND A PROPERTY OF Amphenol LTW. DISCLOSURE TO THIRD PARTY HAS TO BE AUTHORIZED BY Amphenol LTW.

△B

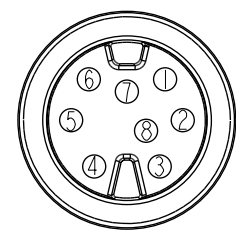
△B△C△D

9P	7.4	20	CD-09AMFM-RR7AXX
8P	6.8		CD-08AMFM-RR7AXX
7P	6.5		CD-07AMFM-RR7AXX
6P	6.5		CD-06AMFM-RR7AXX
5P	6.0		CD-05AMFM-RR7AXX
4P	5.5		CD-04AMFM-RR7AXX
3P	5.5		CD-03AMFM-RR7AXX
2P	5.5		CD-02AMFM-RR7AXX
Contacts	Cable OD		AWG

9	White	白	9	--	
8	Purple	紫	8	Purple	紫
7	Red	紅	7	Red	紅
6	Green	綠	6	Green	綠
5	Yellow	黃	5	Yellow	黃
4	Blue	藍	4	Blue	藍
3	Orange	橘	3	Orange	橘
2	Brown	棕	2	Brown	棕
1	Black	黑	1	Black	黑



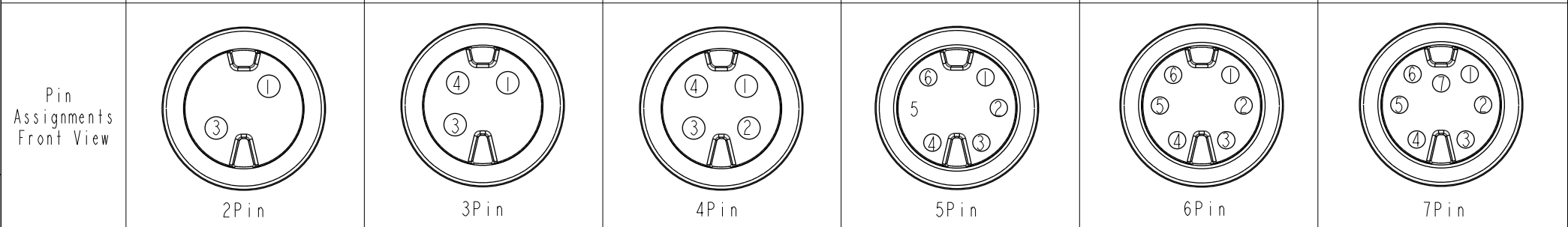
9Pin



8Pin

△C

Pin Out	4	--	4	Blue	藍	4	Blue	藍	6	Green	綠	6	Grey	灰	9	--	
	3	White	白	3	White	白	3	White	白	5	--	8	--	8	Red	紅	
	2	--	2	--		2	Brown	棕	4	Black	黑	7	Red	紅	7	Red	紅
	1	Black	黑	1	Black	黑	1	Black	3	Blue	藍	6	Green	綠	6	Green	綠
									2	White	白	5	Yellow	黃	5	Yellow	黃
									1	Brown	棕	4	Green	綠	4	Blue	藍
												3	White	白	3	Orange	橘
												2	Blue	藍	2	Brown	棕
												1	Brown	棕	1	Black	黑



UNIT:mm TOLERANCE ±0.5	TITLE RBL, C-5A, CABLE W/SR M, F, MOLDING, RBL		 <b>Amphenol LTW</b> 安費諾亮泰企業股份有限公司	ITEM NO	DRAWN BY Joyy	DATE 2015-11-10	
	SCALE 1:1	SIZE A4		SHEET 2 OF 2	DWG NO CD-XXAMFM-RR7AXX	CHECKED BY Lu Di	DATE 2015-11-10
	REV. D	WC-REV. .0		QC: Inspection item	CUSTOMER ALTW	APPROVED BY Jerry	DATE 2015-11-10