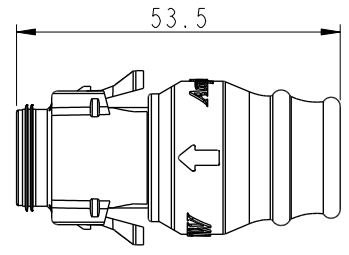
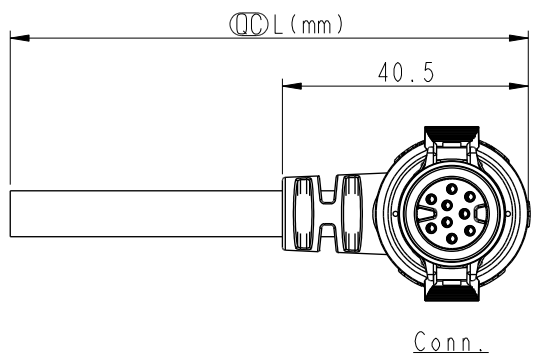


THIS DOCUMENT IS SUBJECT TO CHANGE WITHOUT NOTICE. IT IS CONFIDENTIAL AND A PROPERTY OF Amphenol LTW. DISCLOSURE TO THIRD PARTY HAS TO BE AUTHORIZED BY Amphenol LTW.

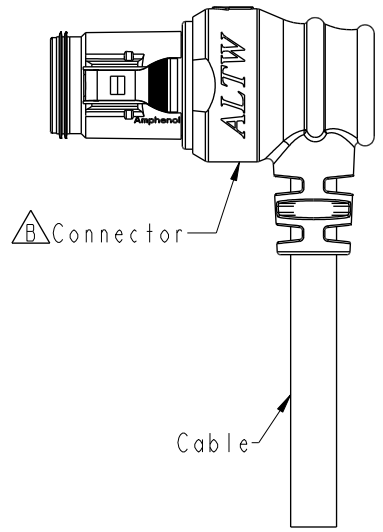
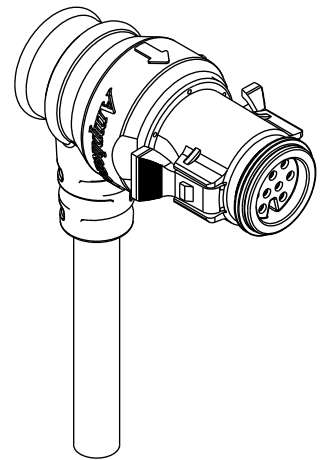
REV.	ECN NO.	DATE	SIGN	DESCRIPTION
B	C230313	2023/03/14	Ruru	$\triangle B$ X6



$\triangle B$
CD-XXAMFM-RR8DXX

XX: No. Of Pin

XX: 01~99Meters
 01: 01Meter
 02: 02Meters
 :
 99: 99Meters



Note: $\triangle B$

- * RoHS Compliant
- * \odot Important dimension
- * Waterproof rate: IP68, mated 1m/24h
- * Connector
- Housing: Thermoplastic, Black
- Pin: Copper Alloy, Gold Plated
- O-Ring: Rubber, Gray
- Outer mold: Thermoplastic, Black
- * Cable: UL21388, PVC Jacket, Black
- * Cable length tolerance: 1M: +50/-0 mm
- 1M < L ≤ 3M: +100/-0 mm
- 3M < L ≤ 5M: +150/-0 mm
- 5M < L ≤ 10M: ±100 mm
- 10M < L ≤ 20M: ±200 mm
- 20M < L ≤ 30M: ±300 mm
- 30M < L ≤ 99M: ±500 mm
- * Prohibiting the use of place in oils

UNIT: mm			TITLE RBL, C-5A, CABLE W/SR M, F, MOLDING, RBL $\triangle B$		
TOLERANCE ±0.5			SCALE 3:4	SIZE A4	SHEET 1 OF 2
REV. B	WC-REV. A.1	\odot : Inspection item			

Amphenol LTW
安費諾亮泰企業股份有限公司

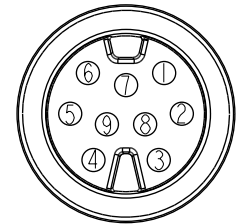
ITEM NO.	DRAWN BY Peng	DATE 2019-03-30
DWG NO. CD-XXAMFM-RR8DXX	CHECKED BY Mafei	DATE 2019-03-30
CUSTOMER ALTW	APPROVED BY Jerry	DATE 2019-03-30

THIS DOCUMENT IS SUBJECT TO CHANGE WITHOUT NOTICE. IT IS CONFIDENTIAL AND A PROPERTY OF Amphenol LTW. DISCLOSURE TO THIRD PARTY HAS TO BE AUTHORIZED BY Amphenol LTW.

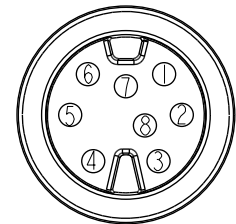


9P	7.6	20	CD-09AMFM-RR8DXX
8P	7.2		CD-08AMFM-RR8DXX
7P	6.8		CD-07AMFM-RR8DXX
6P	6.8		CD-06AMFM-RR8DXX
5P	6.2		CD-05AMFM-RR8DXX
4P	6.0		CD-04AMFM-RR8DXX
3P	5.5		CD-03AMFM-RR8DXX
2P	5.5		CD-02AMFM-RR8DXX
Contacts	Cable OD	AWG	Part No.

9	Gray	灰	9	--	
8	Purple	紫	8	Purple	紫
7	Blue	藍	7	Blue	藍
6	Yellow	黃	6	Yellow	黃
5	Green	綠	5	Green	綠
4	Red	紅	4	Red	紅
3	Brown	棕	3	Brown	棕
2	Orange	橘	2	Orange	橘
1	Black	黑	1	Black	黑



9Pin



8Pin

Pin Out	4	--	4	Red	紅	4	Red	紅	6	Yellow	黃	6	Yellow	黃	9	--		
	3	Brown	棕	3	Brown	棕	3	Brown	棕	5	--	5	Green	綠	8	--		
	2	--	2	--		2	Orange	橘	4	Red	紅	4	Red	紅	7	Blue	藍	
	1	Black	黑	1	Black	黑	1	Black	黑	3	Brown	棕	3	Brown	棕	6	Yellow	黃
										2	Orange	橘	2	Orange	橘	5	Green	綠
										1	Black	黑	1	Black	黑	4	Red	紅
																3	Brown	棕
																2	Orange	橘
																1	Black	黑

Pin Assignments Front View						
	2Pin	3Pin	4Pin	5Pin	6Pin	7Pin

UNIT:mm TOLERANCE ±0.5	TITLE RBL, C-5A, CABLE W/SR M, F, MOLDING, RBL		Amphenol LTW 安費諾亮泰企業股份有限公司	ITEM NO	DRAWN BY	DATE	
	SCALE 3:4	SIZE A4		SHEET 2 OF 2	CD-XXAMFM-RR8DXX	Peng	2019-03-30
	REV. B	WC-REV. A.1		☉: Inspection item	CUSTOMER ALTW	CHECKED BY Mafei	DATE 2019-03-30
				APPROVED BY Jerry	DATE 2019-03-30		