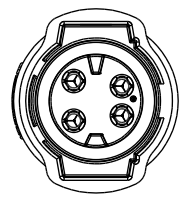
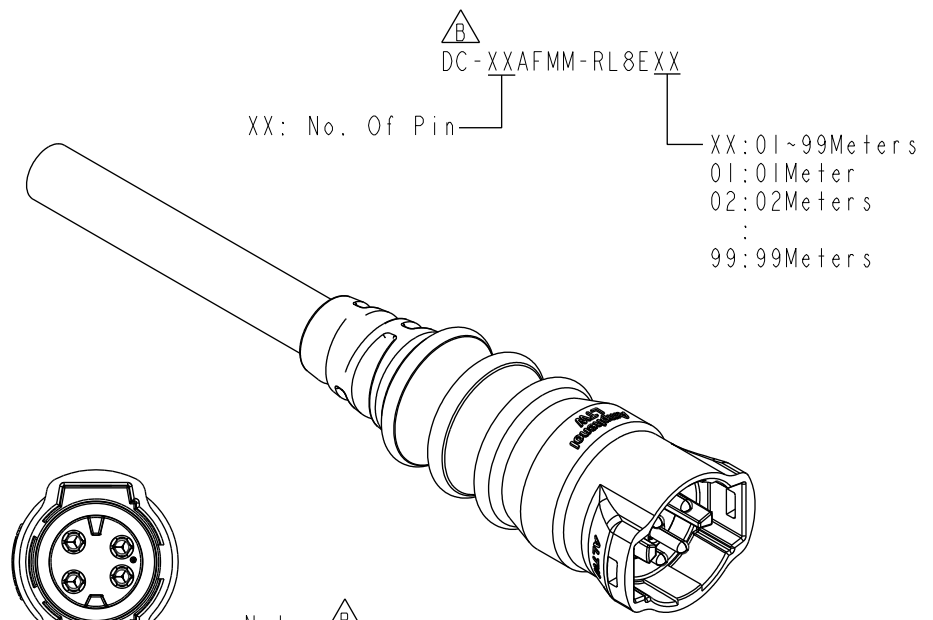
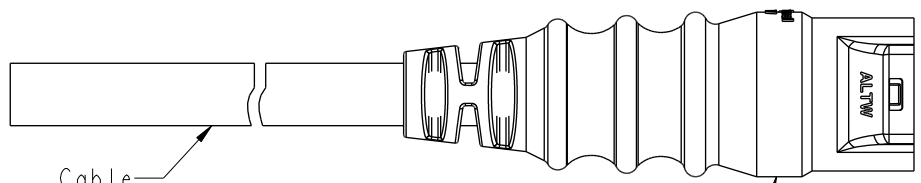
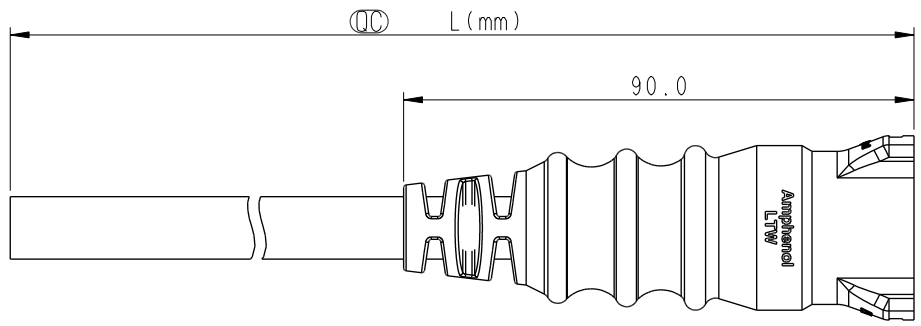
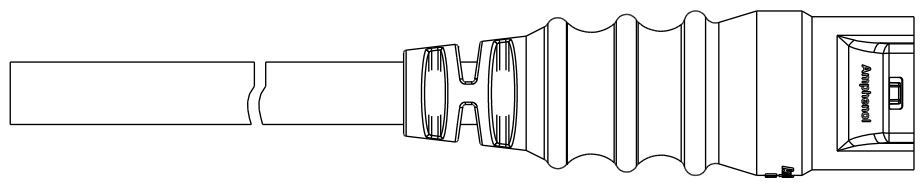


THIS DOCUMENT IS SUBJECT TO CHANGE WITHOUT NOTICE. IT IS CONFIDENTIAL AND A PROPERTY OF Amphenol LTW. DISCLOSURE TO THIRD PARTY HAS TO BE AUTHORIZED BY Amphenol LTW.

REV.	ECN NO.	DATE	SIGN	DESCRIPTION
B	C230313	2023/03/15	Ruru	$\triangle B$ X6



Conn.

- Note:  $\triangle B$
- \* RoHS Compliant
  - \*  $\odot$  Important dimension
  - \* Waterproof rate: IP68, mated 1m/24h
  - \* Connector
    - Housing: Thermoplastic, Black
    - Pin: Copper Alloy, Gold Plated
    - O-Ring: Rubber, Gray
    - Outer mold: Thermoplastic, Black
  - \* Cable: SJTW, PVC Jacket, Black
  - \* Cable length tolerance:
    - 1M < L ≤ 3M: +100/-0 mm
    - 3M < L ≤ 5M: +150/-0 mm
    - 5M < L ≤ 10M: ±100 mm
    - 10M < L ≤ 20M: ±200 mm
    - 20M < L ≤ 30M: ±300 mm
    - 30M < L ≤ 99M: ±500 mm
  - \* Prohibiting the use of place in oils

UNIT:mm		TITLE	RBL, D-20A, CABLE W/SR F, M, MOLDING, RBL $\triangle B$
TOLERANCE	±0.5	SCALE	3:4
		SIZE	A4
		SHEET	1 OF 2
REV.	B	WC-REV.	A.1
		$\odot$ Inspection item	

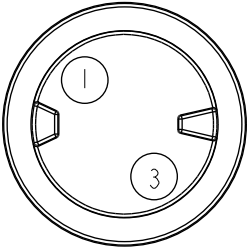
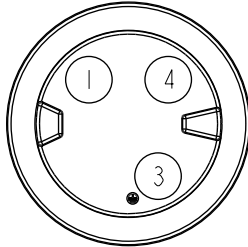
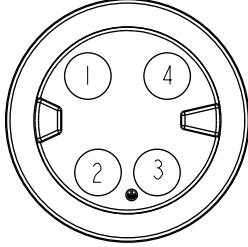
**Amphenol LTW**  
安費諾亮泰企業股份有限公司

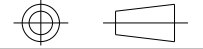
ITEM NO	DRWN BY	DATE
DWG NO	DC-XXAFMM-RL8EXX	Peng 2019-03-23
CUSTOMER	ALTW	Checked By Mafei 2019-03-23
	APPROVED BY	DATE
	Jerry	2019-03-23

THIS DOCUMENT IS SUBJECT TO CHANGE WITHOUT NOTICE. IT IS CONFIDENTIAL AND A PROPERTY OF Amphenol LTW. DISCLOSURE TO THIRD PARTY HAS TO BE AUTHORIZED BY Amphenol LTW.

△B	4P	12.3	12	DC-04AFMM-RL8EXX
	3P	11.7		DC-03AFMM-RL8EXX
	2P	10.7		DC-02AFMM-RL8EXX
Contacts	Cable OD	AWG	Part No.	

F  
E  
D  
C  
B  
A

Pin Out	4 -- 3 White 白 2 -- 1 Black 黑	4 Green 綠 3 White 白 2 -- 1 Black 黑	4 Green 綠 3 White 白 2 Red 紅 1 Black 黑
Pin Assignments Front View	 2Pin	 3Pin	 4Pin

UNIT:mm		TITLE	RBL, D-20A, CABLE W/SR F, M, MOLDING, RBL △B
TOLERANCE	±0.5	SCALE	3:4
		SIZE	A4
		SHEET	2 OF 2
		REV.	B
		WC-REV.	A.1
		☉: Inspection item	

**Amphenol LTW**  
安費諾亮泰企業股份有限公司

ITEM NO	DWG NO	CUSTOMER	DRAWN BY	CHECKED BY	APPROVED BY	DATE
	DC-XXAFMM-RL8EXX	ALTW	Peng	Mafei	Jerry	2019-03-23