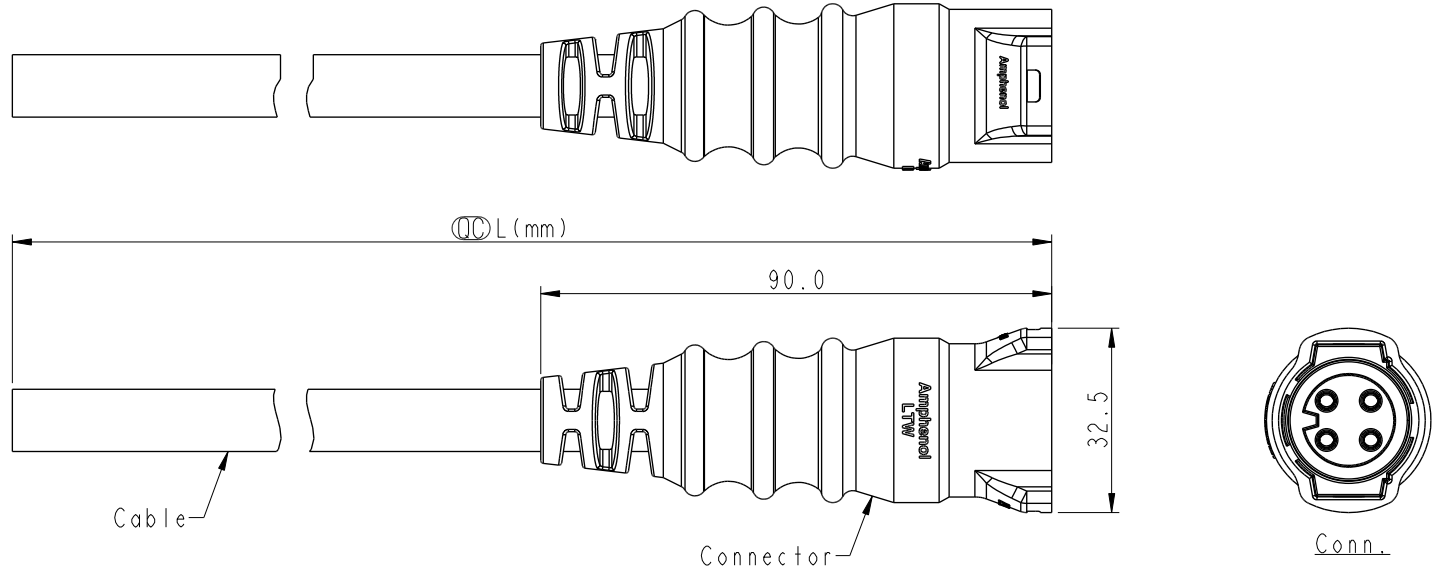


REV.	ECN NO.	DATE	SIGN	DESCRIPTION
B	C230237	2023/02/23	Vicky	△B X5



- △B Note:
- * RoHS Compliant
 - * Ⓞ Important dimension
 - * Waterproof rate: IP67, mated
 - * Connector
 - Housing: Thermoplastic, Black
 - Pin: Copper alloy, Gold plated
 - O-Ring: Rubber, Gray
 - Outer mold: Thermoplastic, Black
 - * Cable: UL2464, PVC Jacket, Black
 - * Cable length tolerance: 1M: +50/-0 mm
 - 3M: +100/-0 mm
 - 5M: +150/-0 mm
 - 10M: ±100 mm
 - 20M: ±200 mm
 - 30M: ±300 mm
 - 99M: ±500 mm

UNIT: mm TOLERANCE ±0.5		TITLE RBL, D-20A, CABLE W/SR F, F, MOLDING, RBL	△B	ITEM NO.	DRAWN BY Lu Di	DATE 2015/07/26	
		SCALE 3:4	SIZE A4	SHEET 1 OF 2	DWG NO. DC-XXAFFM-RL7AXX	CHECKED BY Joyy	DATE 2015/07/26
		REV. B	WC-REV. A.5	Ⓞ: Inspection item	CUSTOMER ALTW	APPROVED BY Jerry	DATE 2015/07/26

Amphenol LTW
安費諾亮泰企業股份有限公司

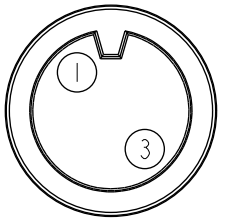
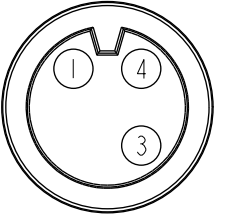
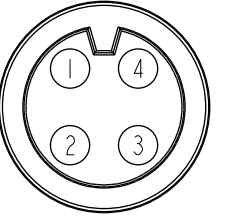
THIS DOCUMENT IS SUBJECT TO CHANGE WITHOUT NOTICE. IT IS CONFIDENTIAL AND A PROPERTY OF Amphenol LTW. DISCLOSURE TO THIRD PARTY HAS TO BE AUTHORIZED BY Amphenol LTW.

4P	11.0	12	DC-04AFFM-RL7AXX
3P	10.0		DC-03AFFM-RL7AXX
2P	9.5		DC-02AFFM-RL7AXX
$\triangle B$ Contacts	Cable OD	AWG	Item No.

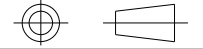
$\triangle B$ DC-XXAFFM-RL7AXX

XX: No. Of Pin

XX: 01~99Meters
 01: 01Meter
 02: 02Meters
 ...
 99: 99Meters

Pin Out	4	--	4	Green 綠	4	Green 綠
	3	White 白	3	White 白	3	White 白
	2	--	2	--	2	Red 紅
	1	Black 黑	1	Black 黑	1	Black 黑
Conn.						
	2P		3P		4P	

Pin Assignments Front View

UNIT:mm		TITLE	RBL, D-20A, CABLE W/SR F, F, MOLDING, RBL	$\triangle B$			
TOLERANCE	±0.5	SCALE	3:4	SIZE	A4	SHEET	2 OF 2
REV.	B	WC-REV.	A.5	QC: Inspection item			

Amphenol LTW
 安費諾亮泰企業股份有限公司

ITEM NO	DRAWN BY	DATE
DWG NO	CHECKED BY	DATE
CUSTOMER	APPROVED BY	DATE
DC-XXAFFM-RL7AXX	Lu Di	2015/07/26
ALTW	Joyy	2015/07/26
	Jerry	2015/07/26