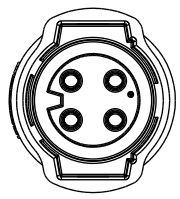
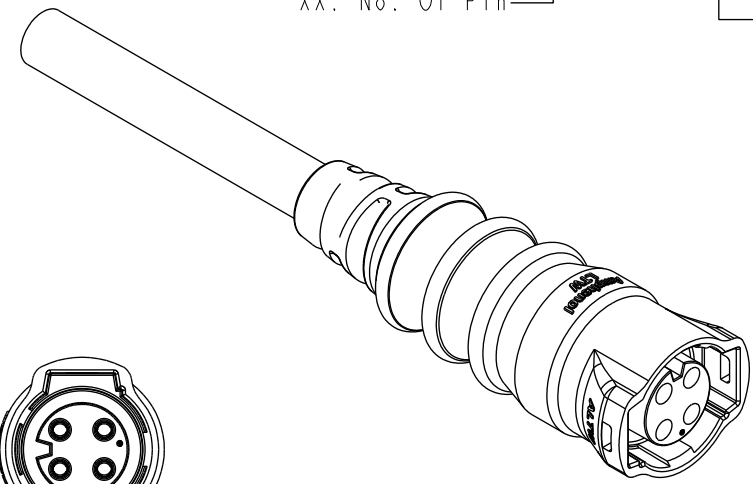
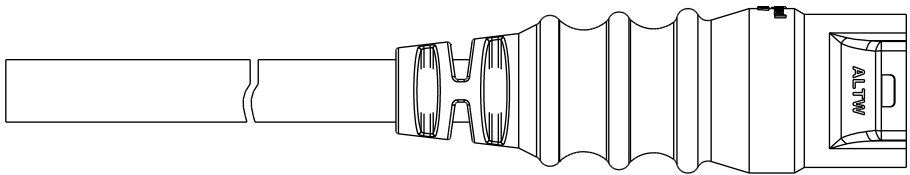
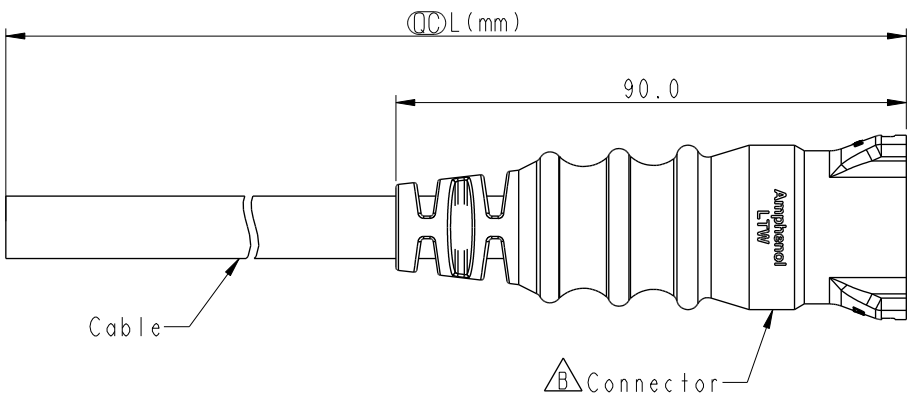
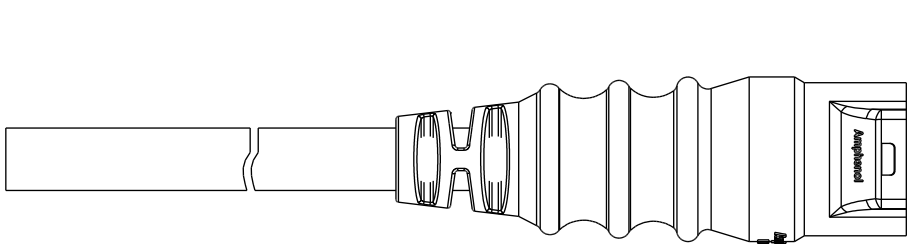


THIS DOCUMENT IS SUBJECT TO CHANGE WITHOUT NOTICE. IT IS CONFIDENTIAL AND A PROPERTY OF Amphenol LTW. DISCLOSURE TO THIRD PARTY HAS TO BE AUTHORIZED BY Amphenol LTW.

REV.	ECN NO.	DATE	SIGN	DESCRIPTION
B	C230313	2023/03/15	Ruru	△ X6



Conn

△ DC-XXAFFM-RL8EXX

XX: No. Of Pin

XX: 01-99Meters
 01: 01Meter
 02: 02Meters
 :
 99: 99Meters

Note: △

- * RoHS Compliant
- * (L) Important dimension
- * Waterproof rate: IP68, mated 1m/24h
- * Connector
 Housing: Thermoplastic, Black
 Pin: Copper Alloy, Gold Plated
 O-Ring: Rubber, Gray
 Outer mold: Thermoplastic, Black
- * Cable: SJTW, PVC Jacket, Black
- * Cable length tolerance: 1M: +50/-0 mm
 1M < L ≤ 3M: +100/-0 mm
 3M < L ≤ 5M: +150/-0 mm
 5M < L ≤ 10M: ±100 mm
 10M < L ≤ 20M: ±200 mm
 20M < L ≤ 30M: ±300 mm
 30M < L ≤ 99M: ±500 mm
- * Prohibiting the use of place in oils

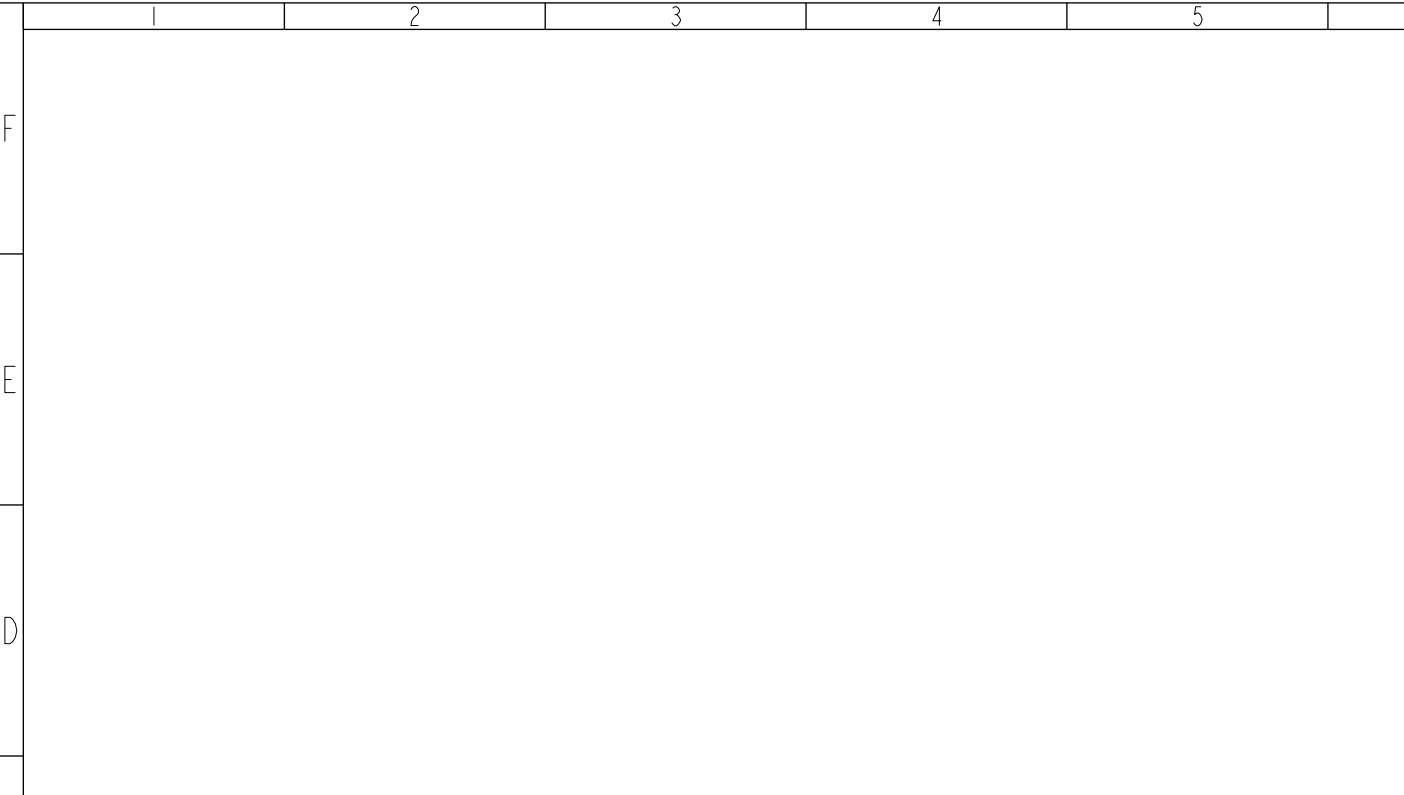
UNIT: mm			TITLE RBL, D-20A, CABLE W/SR F, F, MOLDING, RBL △
TOLERANCE ±0.5	SCALE 3:4	SIZE A4	SHEET 1 OF 2
REV. B	WC-REV. .0	◎: Inspection item	

Amphenol LTW
 安費諾亮泰企業股份有限公司

ITEM NO	DRAWN BY Peng	DATE 2019-03-23
DWG NO DC-XXAFFM-RL8EXX	CHECKED BY Mafei	DATE 2019-03-23
CUSTOMER ALTW	APPROVED BY Jerry	DATE 2019-03-23

THIS DOCUMENT IS SUBJECT TO CHANGE WITHOUT NOTICE. IT IS CONFIDENTIAL AND A PROPERTY OF Amphenol LTW. DISCLOSURE TO THIRD PARTY HAS TO BE AUTHORIZED BY Amphenol LTW.

△ B	4P	12.3	12	DC-04AFFM-RL8EXX
	3P	11.7		DC-03AFFM-RL8EXX
	2P	10.7		DC-02AFFM-RL8EXX
Contacts	Cable OD	AWG	Part No.	



Pin Out	4	--	4	Green 綠	4	Green 綠
	3	White 白	3	White 白	3	White 白
	2	--	2	--	2	Red 紅
	1	Black 黑	1	Black 黑	1	Black 黑
Pin Assignments Front View						
	2Pin		3Pin		4Pin	

UNIT:mm		TITLE	RBL, D-20A, CABLE W/SR F, F, MOLDING, RBL
TOLERANCE	±0.5	SCALE	3:4
		SIZE	A4
		SHEET	2 OF 2
		REV.	B
		WC-REV.	.0
		☉: Inspection item	

Amphenol LTW
安費諾亮泰企業股份有限公司

ITEM NO	DRAWN BY	DATE
DWG NO	CHECKED BY	DATE
CUSTOMER	APPROVED BY	DATE