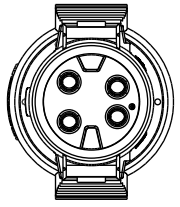
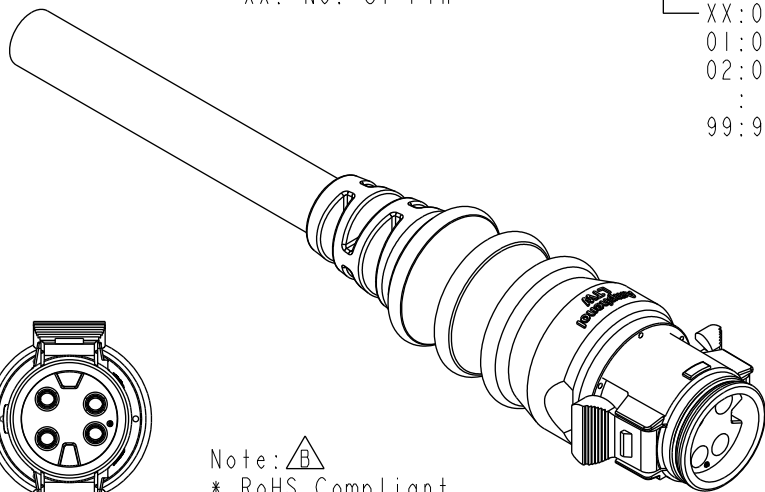
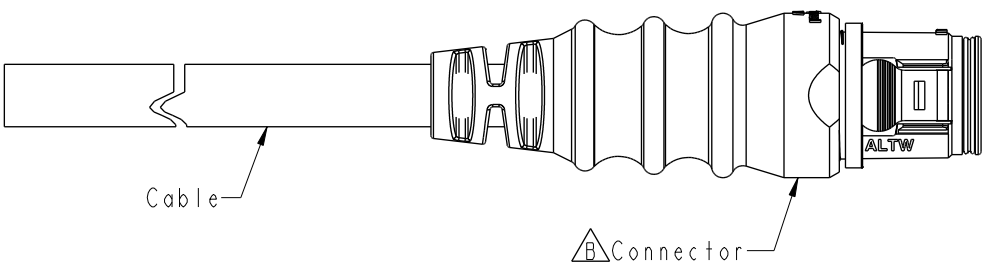
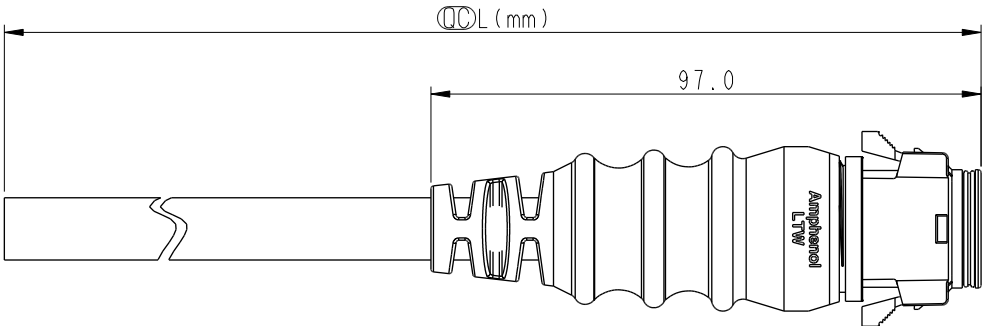
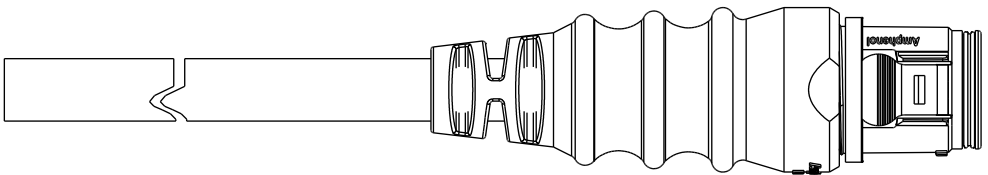


THIS DOCUMENT IS SUBJECT TO CHANGE WITHOUT NOTICE. IT IS CONFIDENTIAL AND A PROPERTY OF Amphenol LTW. DISCLOSURE TO THIRD PARTY HAS TO BE AUTHORIZED BY Amphenol LTW.

REV.	ECN NO.	DATE	SIGN	DESCRIPTION
B	C230313	2023/03/16	Ruru	△ X6



Conn.

△ X6  
DC-XXAMFM-RL8EXX

XX: No. Of Pin

XX: 01~99Meters  
01: 01Meter  
02: 02Meters  
:  
99: 99Meters

- Note: △
- \* RoHS Compliant
  - \*  $\varnothing$  Important dimension
  - \* Waterproof rate: IP68, mated 1m/24h
  - \* Connector
    - Housing: Thermoplastic, Black
    - Pin: Copper Alloy, Gold Plated
    - Gasket: Rubber, Gray
    - O-Ring: Rubber, Gray
    - Outer mold: Thermoplastic, Black
  - \* Cable: SJTW, 18#\*3C, OD=8.0mm, PVC Jacket, Black
  - \* Cable length tolerance: 1M: +50/-0 mm
    - 1M < L ≤ 3M: +100/-0 mm
    - 3M < L ≤ 5M: +150/-0 mm
    - 5M < L ≤ 10M: ±100 mm
    - 10M < L ≤ 20M: ±200 mm
    - 20M < L ≤ 30M: ±300 mm
    - 30M < L ≤ 99M: ±500 mm
  - \* Prohibiting the use of place in oils

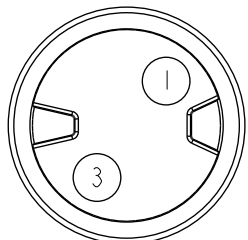
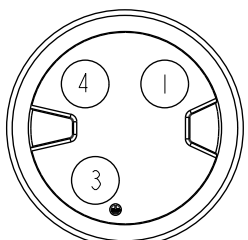
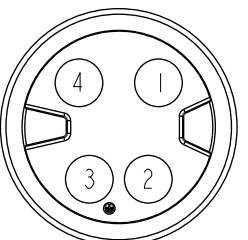
UNIT: mm			TITLE RBL, D-20A, CABLE W/SR M, F, MOLDING, RBL △
TOLERANCE ±0.5	SCALE 3:4	SIZE A4	SHEET 1 OF 2
REV. B	WC-REV. .0	△: Inspection item	


**Amphenol LTW**  
安費諾亮泰企業股份有限公司

ITEM NO	DRAWN BY Peng	DATE 2019-03-22
DWG NO DC-XXAMFM-RL8EXX	CHECKED BY Mafei	DATE 2019-03-22
CUSTOMER ALTW	APPROVED BY Jerry	DATE 2019-03-22

THIS DOCUMENT IS SUBJECT TO CHANGE WITHOUT NOTICE. IT IS CONFIDENTIAL AND A PROPERTY OF Amphenol LTW. DISCLOSURE TO THIRD PARTY HAS TO BE AUTHORIZED BY Amphenol LTW.

△ B	4P	12.3	12	DC-04AMFM-RL8EXX
	3P	11.7		DC-03AMFM-RL8EXX
	2P	10.7		DC-02AMFM-RL8EXX
Contacts	Cable OD	AWG	Part No.	

Pin Out	4	--	4	Green 綠	4	Green 綠
	3	White 白	3	White 白	3	White 白
	2	--	2	--	2	Red 紅
	1	Black 黑	1	Black 黑	1	Black 黑
Pin Assignments Front View						
	2Pin		3Pin		4Pin	

UNIT:mm		TITLE RBL, D-20A, CABLE W/SR M, F, MOLDING, RBL	△ B
TOLERANCE ±0.5		SCALE 3:4	SHEET 2 OF 2
REV. B	WC-REV. .0	◎: Inspection item	

**Amphenol LTW**  
安費諾亮泰企業股份有限公司

ITEM NO	DRAWN BY Peng	DATE 2019-03-22
DWG NO DC-XXAMFM-RL8EXX	CHECKED BY Mafei	DATE 2019-03-22
CUSTOMER ALTW	APPROVED BY Jerry	DATE 2019-03-22