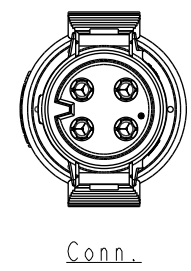
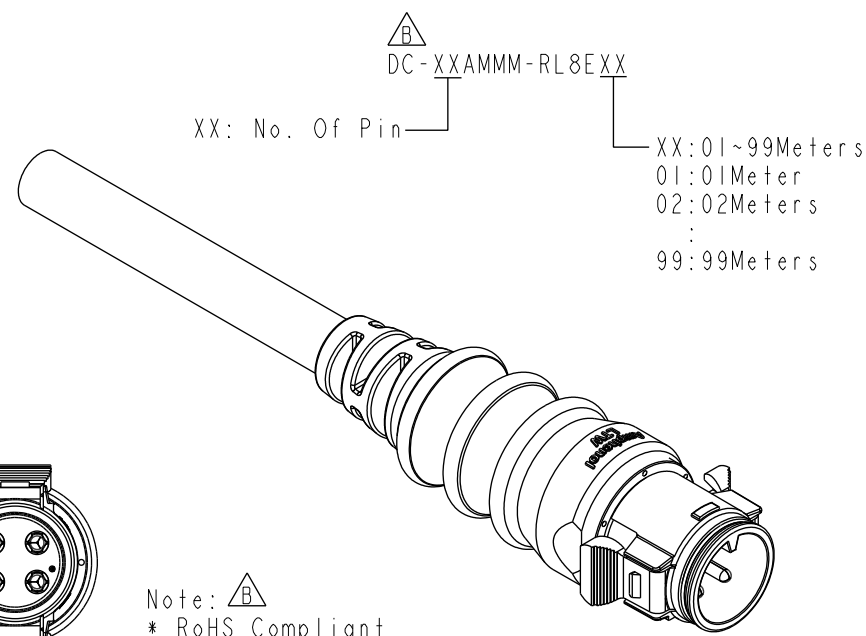
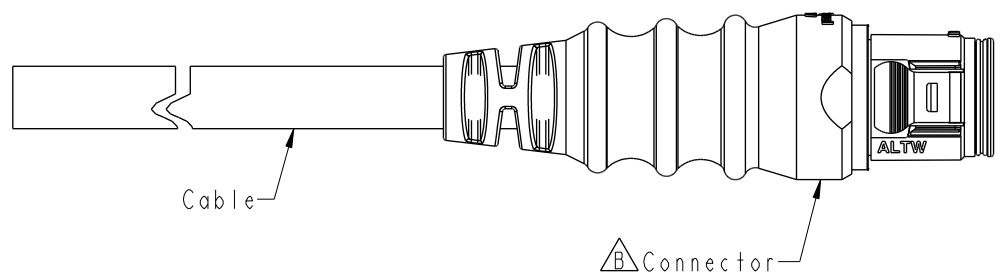
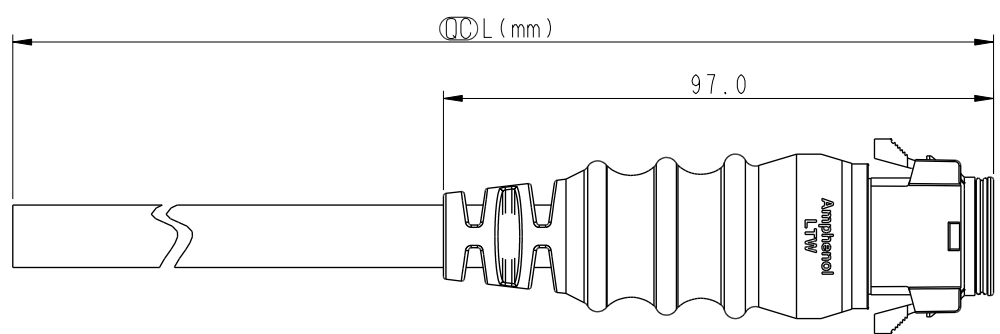
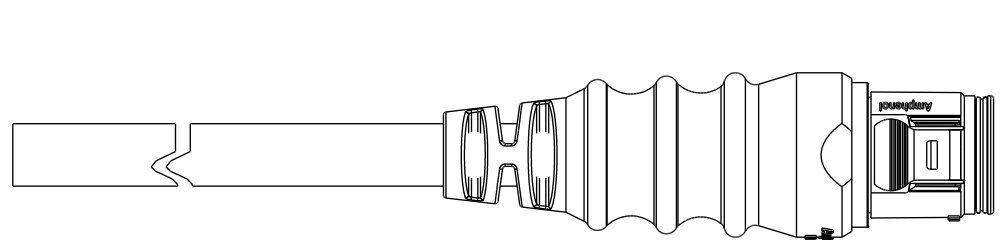


THIS DOCUMENT IS SUBJECT TO CHANGE WITHOUT NOTICE. IT IS CONFIDENTIAL AND A PROPERTY OF Amphenol LTW. DISCLOSURE TO THIRD PARTY HAS TO BE AUTHORIZED BY Amphenol LTW.

REV.	ECN NO.	DATE	SIGN	DESCRIPTION
B	C230313	2023/03/16	Ruru	△ X6



- Note: △
- * RoHS Compliant
 - * ∅ Important dimension
 - * Waterproof rate: IP68, mated 1m/24h
 - * Connector
 - Housing: Thermoplastic, Black
 - Pin: Copper Alloy, Gold Plated
 - Gasket: Rubber, Gray
 - O-Ring: Rubber, Gray
 - Outer mold: Thermoplastic, Black
 - * Cable: SJTW, PVC Jacket, Black
 - * Cable length tolerance:
 - 1M < L ≤ 3M: +100/-0 mm
 - 3M < L ≤ 5M: +150/-0 mm
 - 5M < L ≤ 10M: ±100 mm
 - 10M < L ≤ 20M: ±200 mm
 - 20M < L ≤ 30M: ±300 mm
 - 30M < L ≤ 99M: ±500 mm
 - * Prohibiting the use of place in oils

UNIT: mm			TITLE RBL, D-20A, CABLE W/SR M, M, MOLDING, RBL △
TOLERANCE ±0.5	SCALE 3:4	SIZE A4	SHEET 1 OF 2
REV. B	WC-REV. A.1	∅ Inspection item	

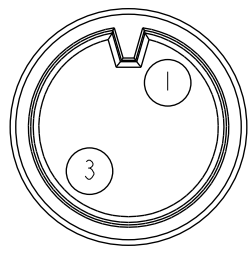
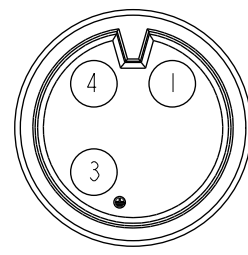
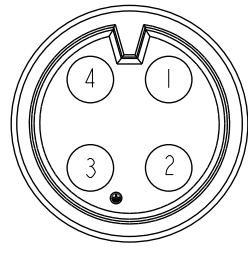
Amphenol LTW
安費諾亮泰企業股份有限公司


ITEM NO.	DRAWN BY Peng	DATE 2019-03-30
DWG NO. DC-XXAMMM-RL8EXX	CHECKED BY Mafei	DATE 2019-03-30
CUSTOMER ALTW	APPROVED BY Jerry	DATE 2019-03-30

THIS DOCUMENT IS SUBJECT TO CHANGE WITHOUT NOTICE. IT IS CONFIDENTIAL AND A PROPERTY OF Amphenol LTW. DISCLOSURE TO THIRD PARTY HAS TO BE AUTHORIZED BY Amphenol LTW.

△ B	4P	12.3	12	DC-04AMMM-RL8EXX
	3P	11.7		DC-03AMMM-RL8EXX
	2P	10.7		DC-02AMMM-RL8EXX
Contacts	Cable OD	AWG	Part No.	

F
E
D
C
B
A

Pin Out	4 -- 3 White 白 2 -- 1 Black 黑	4 Green 綠 3 White 白 2 -- 1 Black 黑	4 Green 綠 3 White 白 2 Red 紅 1 Black 黑
Pin Assignments Front View	 2Pin	 3Pin	 4Pin

UNIT:mm		TITLE RBL, D-20A, CABLE W/SR M, M, MOLDING, RBL	△ B
TOLERANCE ±0.5		SCALE 3:4	SIZE A4
REV. B	WC-REV. A.1	SHEET 2 OF 2	◎: Inspection item

Amphenol LTW
安費諾亮泰企業股份有限公司

ITEM NO	DRAWN BY Peng	DATE 2019-03-30
DWG NO DC-XXAMMM-RL8EXX	CHECKED BY Mafei	DATE 2019-03-30
CUSTOMER ALTW	APPROVED BY Jerry	DATE 2019-03-30