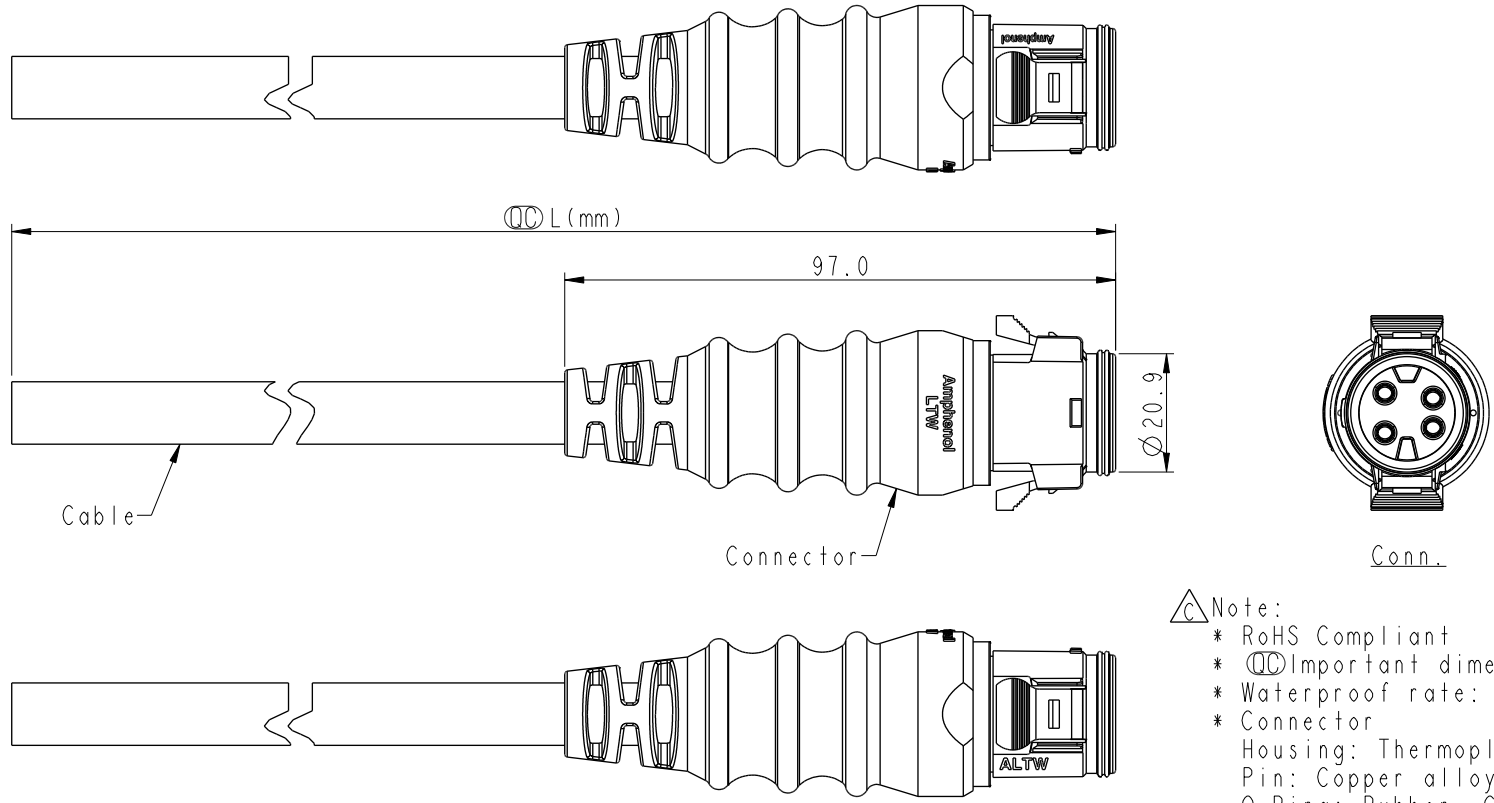


THIS DOCUMENT IS SUBJECT TO CHANGE WITHOUT NOTICE. IT IS CONFIDENTIAL AND A PROPERTY OF Amphenol LTW. DISCLOSURE TO THIRD PARTY HAS TO BE AUTHORIZED BY Amphenol LTW.

REV.	ECN NO.	DATE	SIGN	DESCRIPTION
B	LEN1590198~200	2015/08/27	Mafei	Adding Key Point.
C	C230237	2023/02/23	Vicky	△ X5



- △ Note:
- * RoHS Compliant
 - * Ⓞ Important dimension
 - * Waterproof rate: IP67, mated
 - * Connector
 - Housing: Thermoplastic, Black
 - Pin: Copper alloy, Gold plated
 - O-Ring: Rubber, Gray
 - Gasket: Rubber, Gray
 - Outer mold: Thermoplastic, Black
 - * Cable: UL2464, PVC Jacket, Black
 - * Cable length tolerance: IM: +50/-0 mm

1M < L ≤ 3M	+100/-0 mm
3M < L ≤ 5M	+150/-0 mm
5M < L ≤ 10M	±100 mm
10M < L ≤ 20M	±200 mm
20M < L ≤ 30M	±300 mm
30M < L ≤ 99M	±500 mm

UNIT: mm TOLERANCE ±0.5	TITLE RBL, D-20A, CABLE W/SR M, F, MOLDING, RBL			<h1 style="margin: 0;">Amphenol LTW</h1> <p style="margin: 0;">安費諾亮泰企業股份有限公司</p>		ITEM NO	DRAWN BY	DATE	
	SCALE 3:4	SIZE A4				SHEET 1 OF 2	DWG NO DC-XXAMFM-RL7AXX	CHECKED BY Joyy	DATE 2015/08/27
	REV. C	WC-REV. A.3				Ⓞ: Inspection item	CUSTOMER ALTW	APPROVED BY Jerry	DATE 2015/08/27

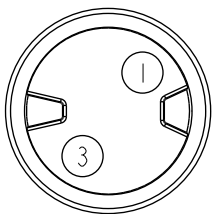
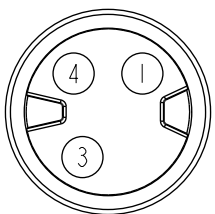
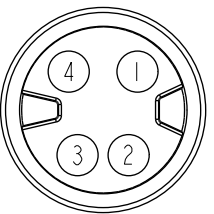
THIS DOCUMENT IS SUBJECT TO CHANGE WITHOUT NOTICE. IT IS CONFIDENTIAL AND A PROPERTY OF Amphenol LTW. DISCLOSURE TO THIRD PARTY HAS TO BE AUTHORIZED BY Amphenol LTW.

4P	11.0	12	DC-04AMFM-RL7AXX
3P	10.0		DC-03AMFM-RL7AXX
2P	9.5		DC-02AMFM-RL7AXX
△ Contacts	Cable OD	AWG	Item No.


△ DC-XXAMFM-RL7AXX

XX: No. Of Pin

XX: 01~99Meters
 01: 01Meter
 02: 02Meters
 .
 99: 99Meters

Pin Out	4 -- 3 White 白 2 -- 1 Black 黑	4 Green 綠 3 White 白 2 -- 1 Black 黑	4 Green 綠 3 White 白 2 Red 紅 1 Black 黑
Conn.	 2P	 3P	 4P

Pin Assignments Front View

UNIT:mm		TITLE	RBL, D-20A, CABLE W/SR M, F, MOLDING, RBL	△					
TOLERANCE	±0.5	SCALE	3:4	SIZE	A4	SHEET	2	OF	2
REV.	C	WC-REV.	A.3	◎: Inspection item					

Amphenol LTW
 安費諾亮泰企業股份有限公司

ITEM NO	DWG NO	CUSTOMER	DRAWN BY	CHECKED BY	APPROVED BY	DATE
	DC-XXAMFM-RL7AXX	ALTW	Mafei	Joyy	Jerry	2015/08/27