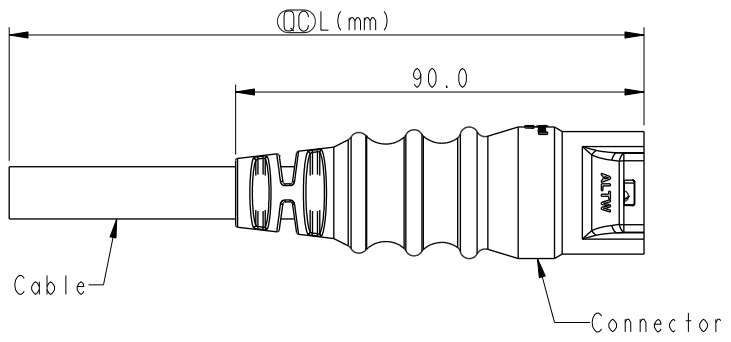


THIS DOCUMENT IS SUBJECT TO CHANGE WITHOUT NOTICE. IT IS CONFIDENTIAL AND A PROPERTY OF Amphenol LTW. DISCLOSURE TO THIRD PARTY HAS TO BE AUTHORIZED BY Amphenol LTW.

REV.	ECN NO.	DATE	SIGN	DESCRIPTION
B	C200960	2020/06/24	Ruru	$\triangle B$ X4
C	C230312	2022/03/10	Ruru	$\triangle C$ X2

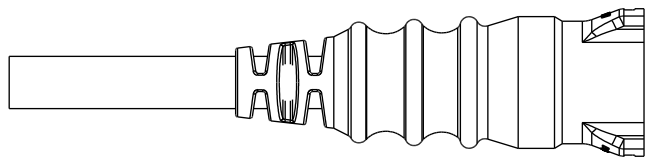
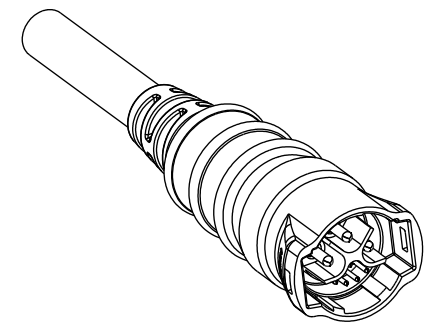


Conn.

$\triangle B \triangle C$
DCD-XXAFMM-RL8FXX

XX: No. Of Pin

XX: 01~99Meters
01: 01Meter
02: 02Meters
:
99: 99Meters

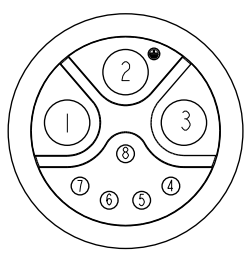


Note: $\triangle B \triangle C$

- * RoHS Compliant
- * \circledast Important dimension
- * Waterproof rate: IP68, mated 1m/24h
- * Connector
- Housing: Thermoplastic, Black
- Pin: Copper Alloy, Gold Plated
- O-Ring: Rubber, Gray
- Outer mold: Thermoplastic, Black
- * Cable: UL21996 3C*12AWG+(24#*2P+D+AL)
- +F+AL/MY, PVC Jacket, OD=11.5, Black
- * Cable length tolerance: 1M: +50/-0 mm

1M < L ≤ 3M: +100/-0 mm
3M < L ≤ 5M: +150/-0 mm
5M < L ≤ 10M: ±100 mm
10M < L ≤ 20M: ±200 mm
20M < L ≤ 30M: ±300 mm
30M < L ≤ 99M: ±500 mm

* Prohibiting the use of place in oils



Conn.
Pin Assignments
Front View

8	Drain (24AWG)	地線	Twist
7	Yellow (24AWG)	黃	
6	Orange (24AWG)	橙	Twist
5	White (24AWG)	白	
4	Green (24AWG)	綠	
3	Blue (12AWG)	藍	
2	Red (12AWG)	紅	
1	Black (12AWG)	黑	
Conn.	Wire Color		
	Pin Out		

UNIT:mm TOLERANCE ±0.5	TITLE RBL, D-20A+5A, CABLE W/SR F, M, MOLDING, RBL		$\triangle B$	
	SCALE 3:4	SIZE A4		SHEET 1 OF 1
	REV. C	WC-REV. .0		\circledast : Inspection item

Amphenol LTW
安費諾亮泰企業股份有限公司

ITEM NO	DWG NO DCD-XXAFMM-RL8FXX $\triangle B$	CUSTOMER ALTW	DRAWN BY Peng	CHECKED BY Mafei	APPROVED BY Jerry	DATE 2019-05-09	DATE 2019-05-09	DATE 2019-05-09
---------	---	------------------	------------------	---------------------	----------------------	--------------------	--------------------	--------------------