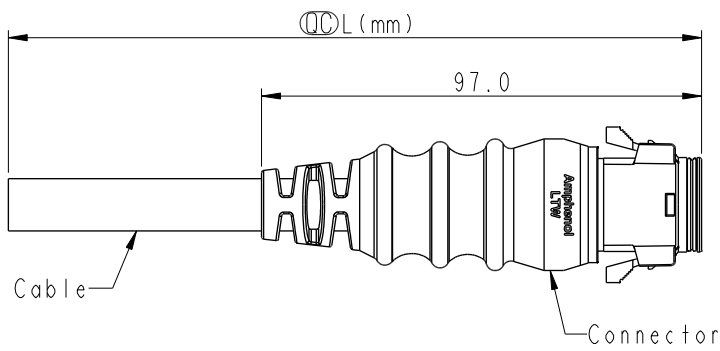


THIS DOCUMENT IS SUBJECT TO CHANGE WITHOUT NOTICE. IT IS CONFIDENTIAL AND A PROPERTY OF Amphenol LTW. DISCLOSURE TO THIRD PARTY HAS TO BE AUTHORIZED BY Amphenol LTW.

REV.	ECN NO.	DATE	SIGN	DESCRIPTION
B	C200960	2020/06/24	Ruru	\triangle_B X4
C	C230312	2023/03/10	Ruru	\triangle_C X2



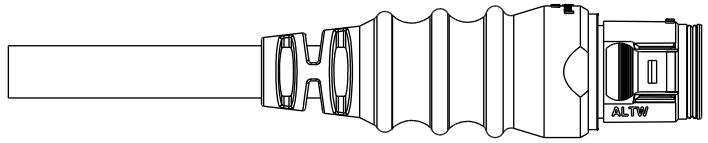
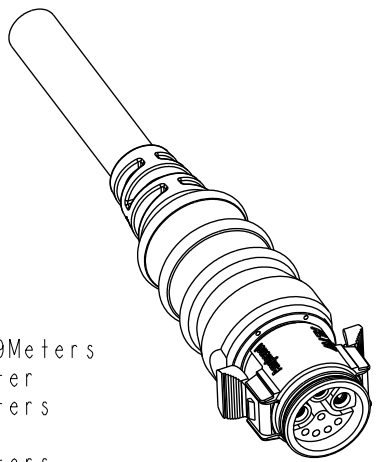
Conn.



DCD-XXAMFM-RL8FXX

XX: No. Of Pin

- XX: 01~99Meters
- 01: 01Meter
- 02: 02Meters
- ...
- 99: 99Meters

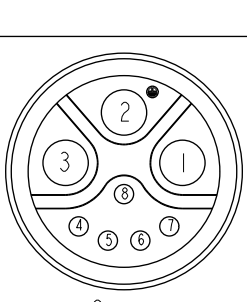


Note: $\triangle_B \triangle_C$

- * RoHS Compliant
- * $\text{\textcircled{L}}$ Important dimension
- * Waterproof rate: IP68, mated 1m/24h
- * Connector
- Housing: Thermoplastic, Black
- Pin: Copper Alloy, Gold Plated
- Gasket: Rubber, Gray
- O-Ring: Rubber, Gray
- Outer mold: Thermoplastic, Black
- * Cable: UL21996 3C*12AWG+(24#*2P+D+AL)
- +F+AL/MY, PVC Jacket, OD=11.5, Black
- * Cable length tolerance: 1M: +50/-0 mm

- 1M < L ≤ 3M: +100/-0 mm
- 3M < L ≤ 5M: +150/-0 mm
- 5M < L ≤ 10M: ±100 mm
- 10M < L ≤ 20M: ±200 mm
- 20M < L ≤ 30M: ±300 mm
- 30M < L ≤ 99M: ±500 mm

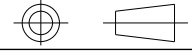
* Prohibiting the use of place in oils



Conn.
Pin Assignments
Front View

8	Drain (24AWG)	地線	Twist
7	Yellow (24AWG)	黃	
6	Orange (24AWG)	橙	Twist
5	White (24AWG)	白	
4	Green (24AWG)	綠	
3	Blue (12AWG)	藍	
2	Red (12AWG)	紅	
1	Black (12AWG)	黑	
Conn.	Wire Color		
Pin Out			

UNIT:mm



±0.5

TITLE RBL, D-20A+5A, CABLE W/SR M, F, MOLDING, RBL			
SCALE 3:4	SIZE A4	SHEET 1 OF 1	
REV. C	WC-REV. .0	$\text{\textcircled{L}}$: Inspection item	

Amphenol LTW

安費諾亮泰企業股份有限公司

ITEM NO	DRAWN BY Peng	DATE 2019-05-09
DWG NO DCD-XXAMFM-RL8FXX \triangle_B	CHECKED BY Mafei	DATE 2019-05-09
CUSTOMER ALTW	APPROVED BY Jerry	DATE 2019-05-09