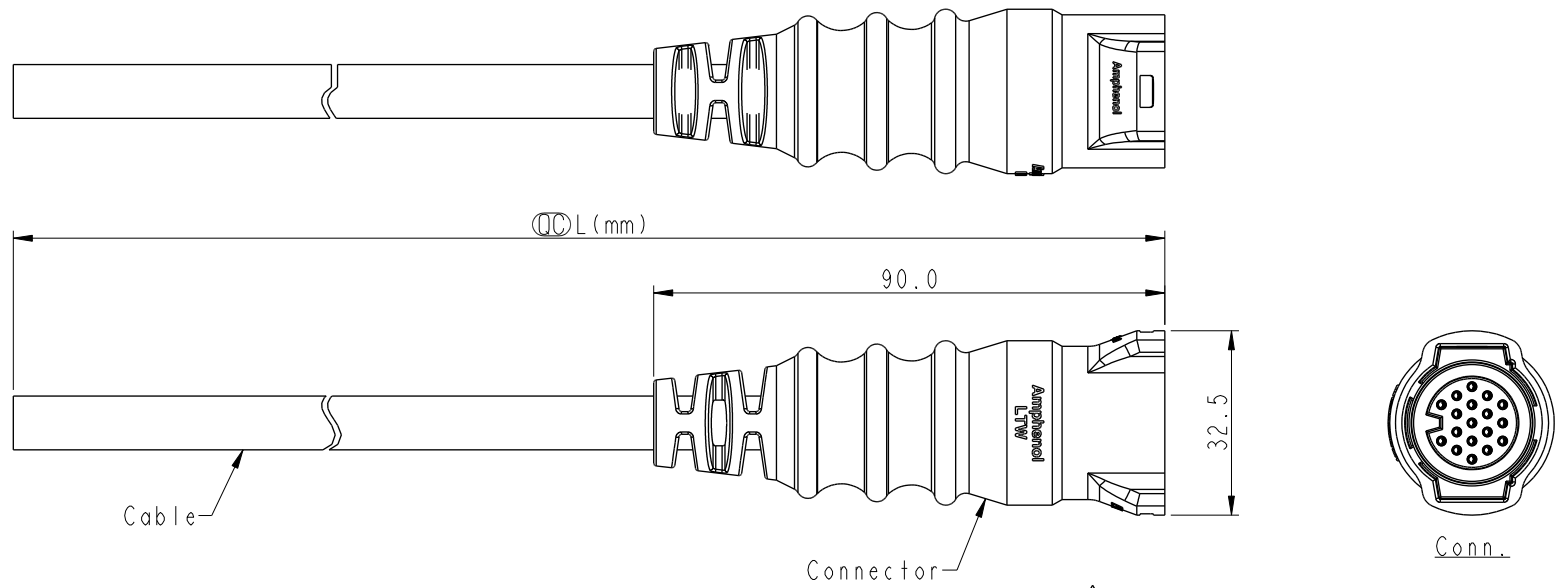


THIS DOCUMENT IS SUBJECT TO CHANGE WITHOUT NOTICE. IT IS CONFIDENTIAL AND A PROPERTY OF Amphenol LTW. DISCLOSURE TO THIRD PARTY HAS TO BE AUTHORIZED BY Amphenol LTW.

REV.	ECN NO.	DATE	SIGN	DESCRIPTION
B	LEN1580328~31	2015/08/19	Lu Di	Change To Common Drawing
C	LEN1690197~200	2016/09/23	Mafei	Change The Wire Color.
D	C230237	2023/02/23	Vicky	$\triangle D$ X5



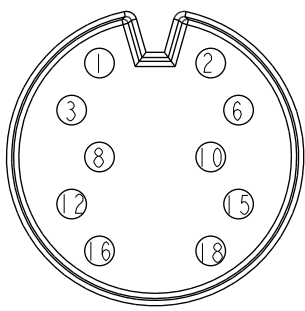
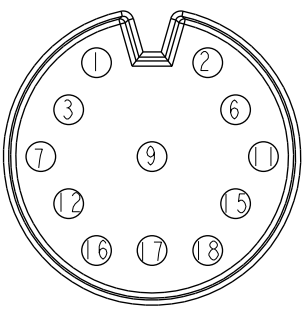
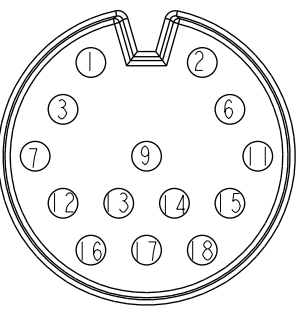
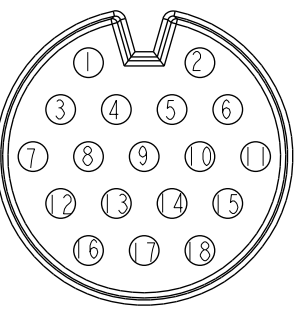
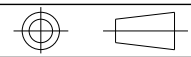
- $\triangle D$ Note:
- * RoHS Compliant
 - * $\text{\textcircled{L}}$ Important dimension
 - * Waterproof rate: IP67, mated
 - * Connector
 - Housing: Thermoplastic, Black
 - Pin: Copper alloy, Gold plated
 - O-Ring: Rubber, Gray
 - Outer mold: Thermoplastic, Black
 - * Cable: UL2464, PVC Jacket, Black
 - * Cable length tolerance: 1M: +50/-0 mm
 - 1M < L ≤ 3M: +100/-0 mm
 - 3M < L ≤ 5M: +150/-0 mm
 - 5M < L ≤ 10M: ±100 mm
 - 10M < L ≤ 20M: ±200 mm
 - 20M < L ≤ 30M: ±300 mm
 - 30M < L ≤ 99M: ±500 mm

UNIT: mm	TOLERANCE		TITLE RBL, D-5A, CABLE W/SR F, F, MOLDING, RBL	$\triangle D$	
	SCALE 3:4	SIZE A4			SHEET 1 OF 2
	REV. D	WC-REV. A.8			$\text{\textcircled{L}}$: Inspection item

Amphenol LTW
安費諾亮泰企業股份有限公司

ITEM NO	DRAWN BY	DATE
DWG NO DD-XXAFFM-RL7AXX	Mafei	2016-09-23
CUSTOMER	CHECKED BY	DATE
ALTW	Youdan	2016-09-23
	APPROVED BY	DATE
	Jerry	2016-09-23

THIS DOCUMENT IS SUBJECT TO CHANGE WITHOUT NOTICE. IT IS CONFIDENTIAL AND A PROPERTY OF AMPHENOL LTW. DISCLOSURE TO THIRD PARTY HAS TO BE AUTHORIZED BY AMPHENOL LTW.

B						7	8			
F						18P	9.5	20	DD-18AFFM-RL7AXX	
						14P	9.5		DD-14AFFM-RL7AXX	
						12P	9.0		DD-12AFFM-RL7AXX	
						10P	9.0		DD-10AFFM-RL7AXX	
					Contacts	Cable OD	AWG	Item No.		
C						D				
E						D				
D	Pin Out	18 Purple(紫) 17 -- 16 Brown(棕) 15 Orange(橘) 14 -- 13 -- 12 Yellow(黃) 11 -- 10 Gray(灰) 9 -- 8 Red(紅) 7 -- 6 Green(綠) 5 -- 4 -- 3 Blue(藍) 2 White(白) 1 Black(黑)	18 Black/White(黑/白) 17 Orange(橘) 16 Pink(粉紅) 15 Gray(灰) 14 -- 13 -- 12 Purple(紫) 11 Yellow(黃) 10 -- 9 Green(綠) 8 -- 7 White(白) 6 Brown(棕) 5 -- 4 -- 3 Blue(藍) 2 Black(黑) 1 Red(紅)	18 Black/White(黑/白) 17 Brown/White(棕/白) 16 Light Green(淺綠) 15 Pink(粉紅) 14 Purple(紫) 13 Brown(棕) 12 Orange(橘) 11 Yellow(黃) 10 -- 9 Gray(灰) 8 -- 7 Red(紅) 6 Green(綠) 5 -- 4 -- 3 Blue(藍) 2 White(白) 1 Black(黑)	18 Light Green(淺綠) 17 Green/White(綠/白) 16 Orange/White(橘/白) 15 Brown/White(棕/白) 14 Blue/White(藍/白) 13 Black/White(黑/白) 12 Red/White(紅/白) 11 Orange(橘) 10 Pink(粉紅) 9 Gray(灰) 8 Purple(紫) 7 Yellow(黃) 6 Green(綠) 5 White(白) 4 Brown(棕) 3 Blue(藍) 2 Black(黑) 1 Red(紅)	DD-XXAFFM-RL7AXX XX: No. Of Pin XX: 01~99Meters 01: 01Meter 02: 02Meters . 99: 99Meters				
C	Conn.									
Pin Assignments Front View										
A	UNIT: mm		TITLE	RBL, D-5A, CABLE W/SR F, F, MOLDING, RBL		Amphenol LTW 安費諾亮泰企業股份有限公司		ITEM NO	DRAWN BY	DATE
TOLERANCE		±0.5mm	SCALE	SIZE	SHEET	DD-XXAFFM-RL7AXX		CHECKED BY	2016-09-23	
			3:4	A4	2 OF 2			YOU-DAN	2016-09-23	
			REV.	WC-REV.	QC: Inspection item	CUSTOMER	APPROVED BY	2016-09-23		
			D	A.8		ALTW	Jerry	2016-09-23		
										8 W10814-03-0001A2