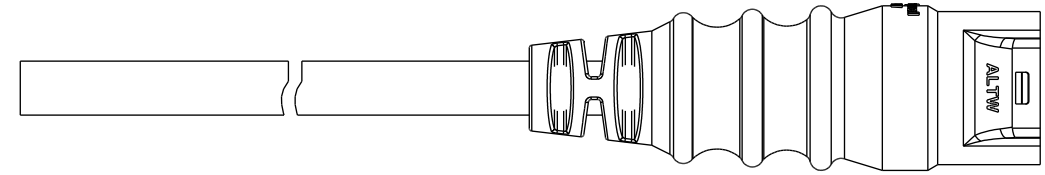
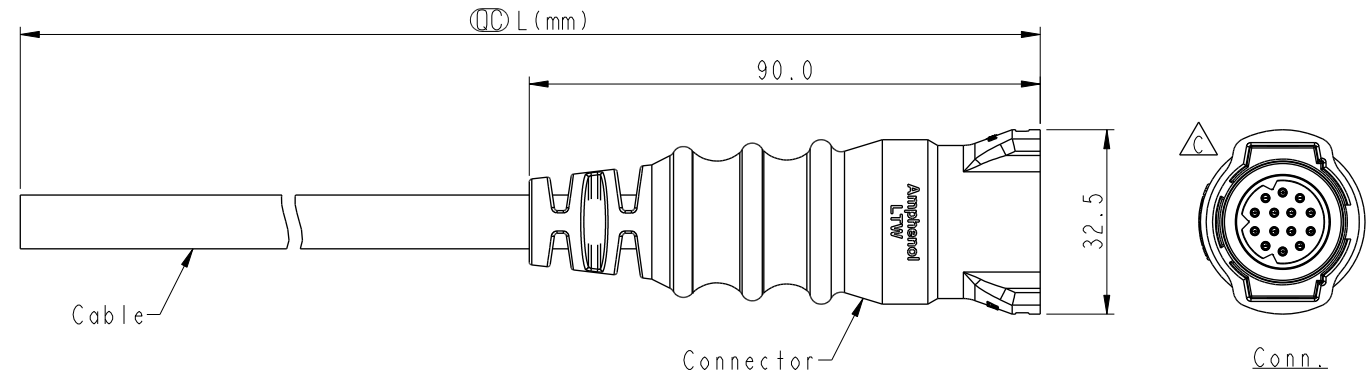


THIS DOCUMENT IS SUBJECT TO CHANGE WITHOUT NOTICE. IT IS CONFIDENTIAL AND A PROPERTY OF Amphenol LTW. DISCLOSURE TO THIRD PARTY HAS TO BE AUTHORIZED BY Amphenol LTW.

REV.	ECN NO.	DATE	SIGN	DESCRIPTION
B	LEN1580332~34	2015/08/19	Lu Di	Change To Common Drawing
C	LEN1590396~98	2015/09/18	Joyy	Modify The Housing Structure
D	C230237	2023/02/23	Vicky	$\triangle D$ X5



- $\triangle D$  Note:
- \* RoHS Compliant
  - \*  $\circ\circ$  Important dimension
  - \* Waterproof rate: IP67, mated
  - \* Connector
    - Housing: Thermoplastic, Black
    - Pin: Copper alloy, Gold plated
    - O-Ring: Rubber, Gray
    - Outer mold: Thermoplastic, Black
  - \* Cable: UL2464, PVC Jacket, Black
  - \* Cable length tolerance:
    - 1M < L  $\leq$  3M: +100/-0 mm
    - 3M < L  $\leq$  5M: +150/-0 mm
    - 5M < L  $\leq$  10M:  $\pm$ 100 mm
    - 10M < L  $\leq$  20M:  $\pm$ 200 mm
    - 20M < L  $\leq$  30M:  $\pm$ 300 mm
    - 30M < L  $\leq$  99M:  $\pm$ 500 mm

UNIT:mm		
TOLERANCE		
$\pm 0.5$		


TITLE RBL, D-5A, CABLE W/SR F, M, MOLDING, RBL			$\triangle D$
SCALE 3:4	SIZE A4	SHEET 1 OF 2	
REV. D	WC-REV. A.5	$\circ\circ$ : Inspection item	

**Amphenol LTW**  
安費諾亮泰企業股份有限公司

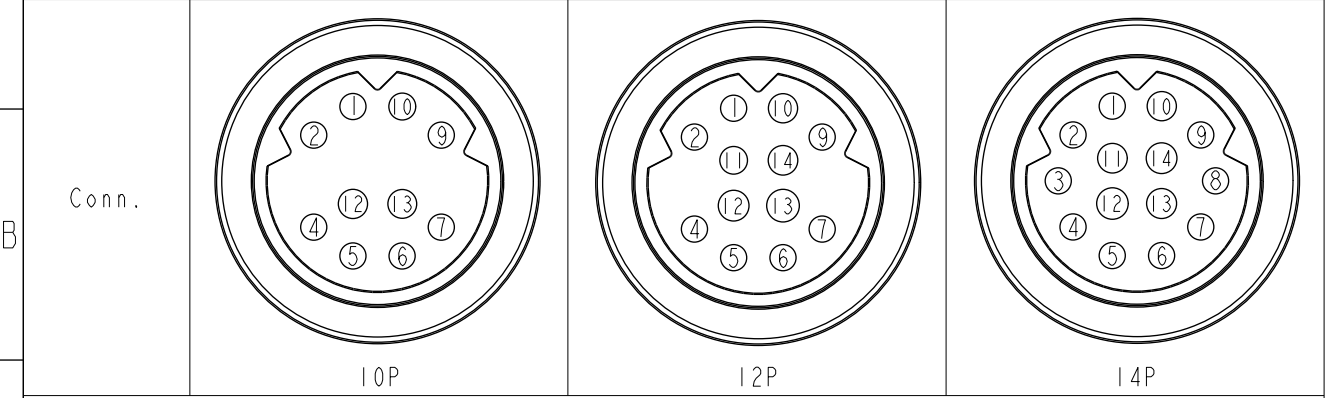
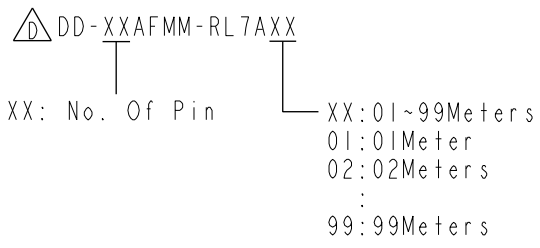
ITEM NO	DWG NO	CUSTOMER	DRAWN BY	CHECKED BY	APPROVED BY	DATE
	DD-XXAFMM-RL7AXX	ALTW	Joyy	Lu Di	Jerry	2015-09-18

THIS DOCUMENT IS SUBJECT TO CHANGE WITHOUT NOTICE. IT IS CONFIDENTIAL AND A PROPERTY OF Amphenol LTW. DISCLOSURE TO THIRD PARTY HAS TO BE AUTHORIZED BY Amphenol LTW.

1 2 3 4 5 6 7 8

F		14P	9.5	20	DD-14AFMM-RL7AXX
		12P	9.0		DD-12AFMM-RL7AXX
		10P	9.0		DD-10AFMM-RL7AXX
		Contacts	Cable OD	AWG	Item No.

D Pin Out	14	--	14	Pink(粉紅)	14	Black/white(黑/白)
	13	Purple(紫)	13	Purple(紫)	13	Brown/White(棕/白)
	12	Brown(棕)	12	Brown(棕)	12	Light Green(淺綠)
	11	--	11	Black/white(黑/白)	11	Pink(粉紅)
	10	Orange(橘)	10	Orange(橘)	10	Purple(紫)
	9	Yellow(黃)	9	Yellow(黃)	9	Brown(棕)
	8	--	8	--	8	Orange(橘)
	7	Gray(灰)	7	Gray(灰)	7	Yellow(黃)
	6	Red(紅)	6	Red(紅)	6	Gray(灰)
	5	Green(綠)	5	Green(綠)	5	Red(紅)
	4	Blue(藍)	4	Blue(藍)	4	Green(綠)
	3	--	3	--	3	Blue(藍)
	2	White(白)	2	White(白)	2	White(白)
	1	Black(黑)	1	Black(黑)	1	Black(黑)



Pin Assignments Front View

A	UNIT: mm	 	TITLE		ITEM NO	DRAWN BY	DATE					
	TOLERANCE	±0.5	RBL, D-5A, CABLE W/SR F, M, MOLDING, RBL		DWG NO	Joyy	2015-09-18					
	SCALE	3:4	SIZE		A4	SHEET	2 OF 2	CHECKED BY	Lu Di	DATE	2015-09-18	
	REV.	D	WC-REV.	A.5		Inspection item	CUSTOMER	ALTW	APPROVED BY	Jerry	DATE	2015-09-18

**Amphenol LTW**  
安費諾亮泰企業股份有限公司