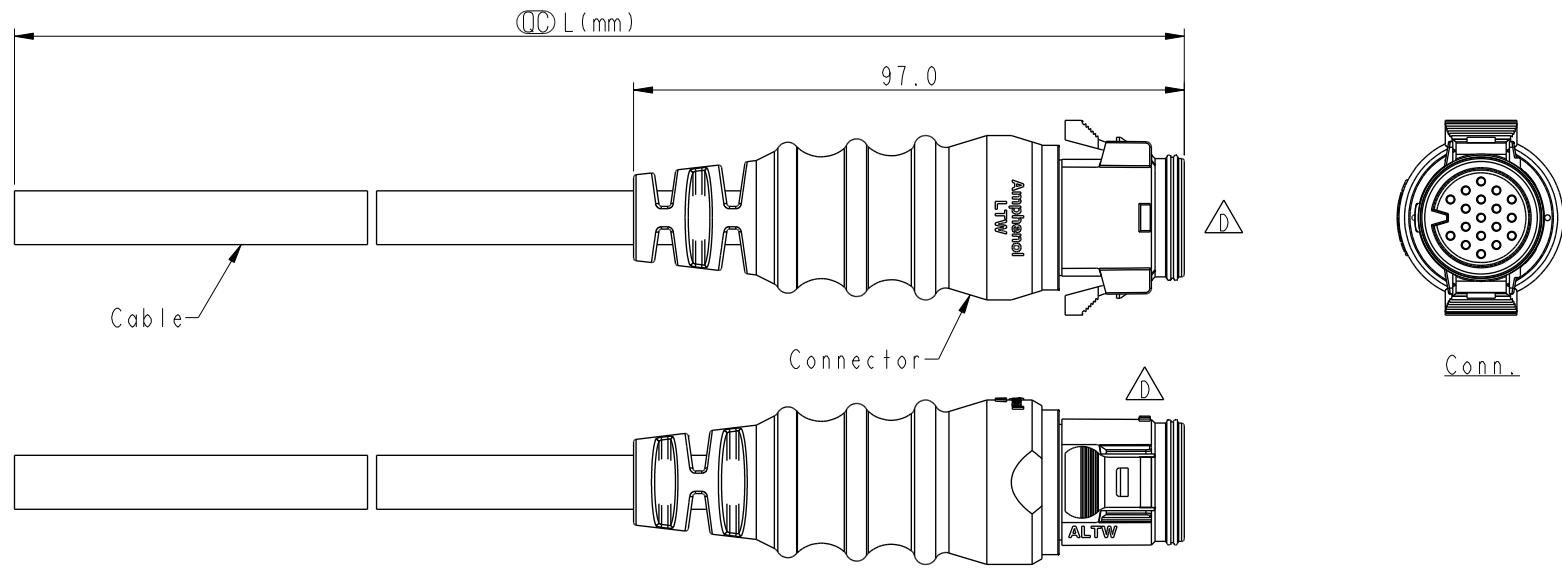


THIS DOCUMENT IS SUBJECT TO CHANGE WITHOUT NOTICE. IT IS CONFIDENTIAL AND A PROPERTY OF Amphenol LTW. DISCLOSURE TO THIRD PARTY HAS TO BE AUTHORIZED BY Amphenol LTW.

| REV. | ECN NO. | DATE | SIGN | DESCRIPTION |
|------|---------------|------------|-------|-------------------------------|
| C | LEN1690193~96 | 2016/09/23 | Mafei | Change The Wire Color. |
| D | LEN16B0212~15 | 2016/11/21 | Mafei | Adding The Housing Key Point. |
| E | C230237 | 2023/03/03 | Vicky | $\triangle E$ X5 |



- $\triangle E$ Note:
- * RoHS Compliant
 - * $\text{\textcircled{D}}$ Important dimension
 - * Waterproof rate: IP67, mated
 - * Connector
 - Housing: Thermoplastic, Black
 - Pin: Copper alloy, Gold plated
 - O-Ring: Rubber, Gray
 - Gasket: Rubber, Gray
 - Outer mold: Thermoplastic, Black
 - * Cable: UL2464, PVC Jacket, Black
 - * Cable length tolerance: 1M: +50/-0 mm
 - 1M < L \leq 3M: +100/-0 mm
 - 3M < L \leq 5M: +150/-0 mm
 - 5M < L \leq 10M: \pm 100 mm
 - 10M < L \leq 20M: \pm 200 mm
 - 20M < L \leq 30M: \pm 300 mm
 - 30M < L \leq 99M: \pm 500 mm

| | | | | |
|-----------|-----------|---------|---|--|
| UNIT:mm | | | TITLE | $\triangle E$ |
| TOLERANCE | ± 0.5 | | RBL, D-5A, CABLE W/SR M, M, MOLDING, RBL | |
| SCALE | 3:4 | SIZE | A4 | SHEET 1 OF 2 |
| REV. | E | WC-REV. | A.9 | $\text{\textcircled{D}}$: Inspection item |

Amphenol LTW
安費諾亮泰企業股份有限公司

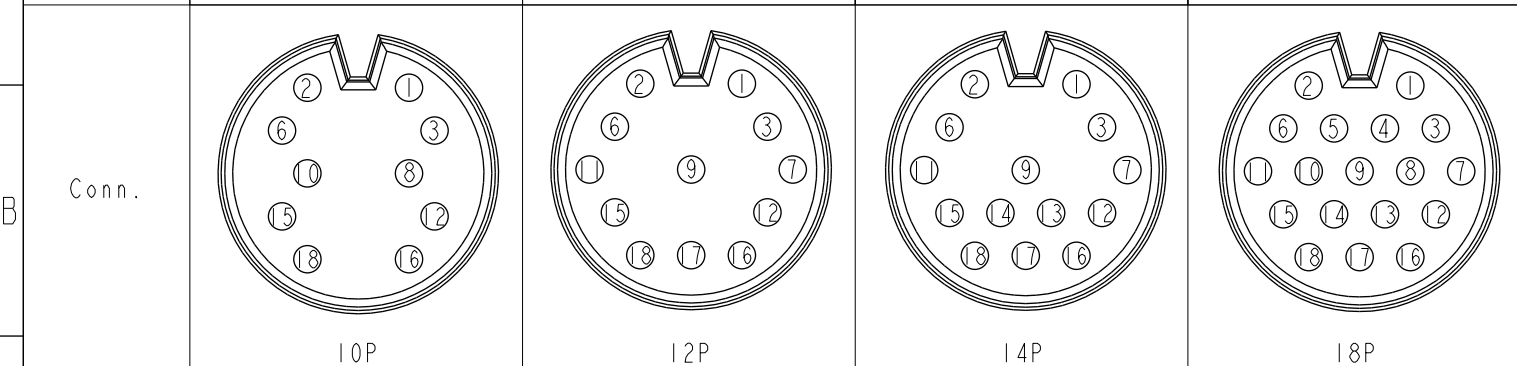
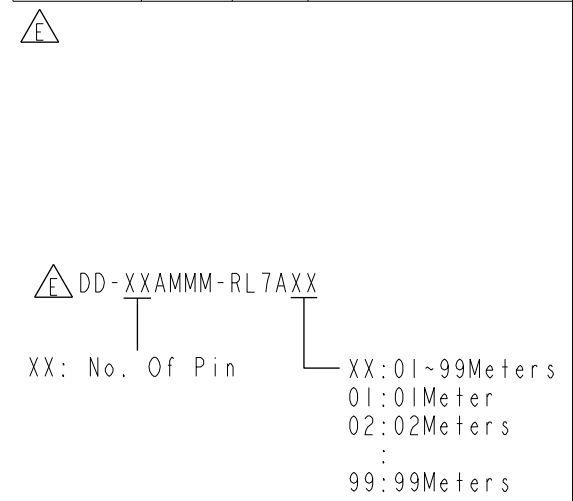
| | | |
|------------------|-------------|------------|
| ITEM NO | DRAWN BY | DATE |
| | Mafei | 2016-11-21 |
| DWG NO | CHECKED BY | DATE |
| DD-XXAMMM-RL7AXX | Youdan | 2016-11-21 |
| CUSTOMER | APPROVED BY | DATE |
| ALTW | Jerry | 2016-11-21 |

THIS DOCUMENT IS SUBJECT TO CHANGE WITHOUT NOTICE. IT IS CONFIDENTIAL AND A PROPERTY OF Amphenol LTW. DISCLOSURE TO THIRD PARTY HAS TO BE AUTHORIZED BY Amphenol LTW.

| | | | |
|----------|----------|-----|------------------|
| 18P | 9.5 | 20 | DD-18AMMM-RL7AXX |
| 14P | 9.5 | | DD-14AMMM-RL7AXX |
| 12P | 9.0 | | DD-12AMMM-RL7AXX |
| 10P | 9.0 | | DD-10AMMM-RL7AXX |
| Contacts | Cable OD | AWG | Item No. |

| | | | | | |
|---|----|----|--|--|--|
| F | △B | △C | | | |
| | | | | | |

| | | | | | |
|---|---------|--------------|---------------------|---------------------|----------------------|
| E | Pin Out | 18 Purple(紫) | 18 Black/White(黑/白) | 18 Black/White(黑/白) | 18 Light Green(淺綠) |
| | | 17 -- | 17 Orange(橘) | 17 Brown/White(棕/白) | 17 Green/White(綠/白) |
| | | 16 Brown(棕) | 16 Pink(粉紅) | 16 Light Green(淺綠) | 16 Orange/White(橘/白) |
| | | 15 Orange(橘) | 15 Gray(灰) | 15 Pink(粉紅) | 15 Brown/White(棕/白) |
| | | 14 -- | 14 -- | 14 Purple(紫) | 14 Blue/White(藍/白) |
| | | 13 -- | 13 -- | 13 Brown(棕) | 13 Black/White(黑/白) |
| | | 12 Yellow(黃) | 12 Purple(紫) | 12 Orange(橘) | 12 Red/White(紅/白) |
| | | 11 -- | 11 Yellow(黃) | 11 Yellow(黃) | 11 Orange(橘) |
| | | 10 Gray(灰) | 10 -- | 10 -- | 10 Pink(粉紅) |
| | | 9 -- | 9 Green(綠) | 9 Gray(灰) | 9 Gray(灰) |
| | | 8 Red(紅) | 8 -- | 8 -- | 8 Purple(紫) |
| | | 7 -- | 7 White(白) | 7 Red(紅) | 7 Yellow(黃) |
| | | 6 Green(綠) | 6 Brown(棕) | 6 Green(綠) | 6 Green(綠) |
| | | 5 -- | 5 -- | 5 -- | 5 White(白) |
| | | 4 -- | 4 -- | 4 -- | 4 Brown(棕) |
| | | 3 Blue(藍) | 3 Blue(藍) | 3 Blue(藍) | 3 Blue(藍) |
| | | 2 White(白) | 2 Black(黑) | 2 White(白) | 2 Black(黑) |
| | | 1 Black(黑) | 1 Red(紅) | 1 Black(黑) | 1 Red(紅) |



Pin Assignments Front View

| | | | | | | | | | | |
|------|-----------|---------|---|---------------------|--------------|------------------|-------------|------------|--------|------------|
| A | UNIT: mm | | TITLE | △E | ITEM NO | DRAWN BY | DATE | | | |
| | TOLERANCE | ±0.5 | RBL, D-5A, CABLE W/SR M, M, MOLDING, RBL | | Amphenol LTW | DD-XXAMMM-RL7AXX | Mafei | 2016-11-21 | | |
| | SCALE | 3:4 | SIZE | | A4 | SHEET | 2 OF 2 | CHECKED BY | Youdan | DATE |
| REV. | E | WC-REV. | A.9 | QC: Inspection item | CUSTOMER | ALTW | APPROVED BY | Jerry | DATE | 2016-11-21 |