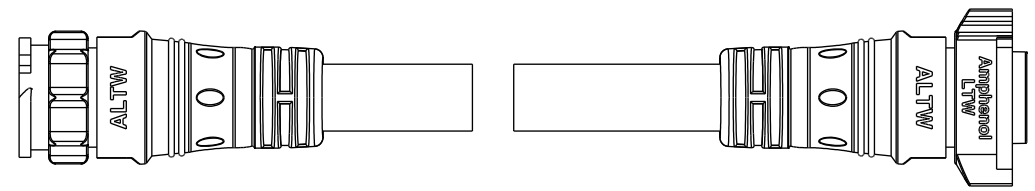
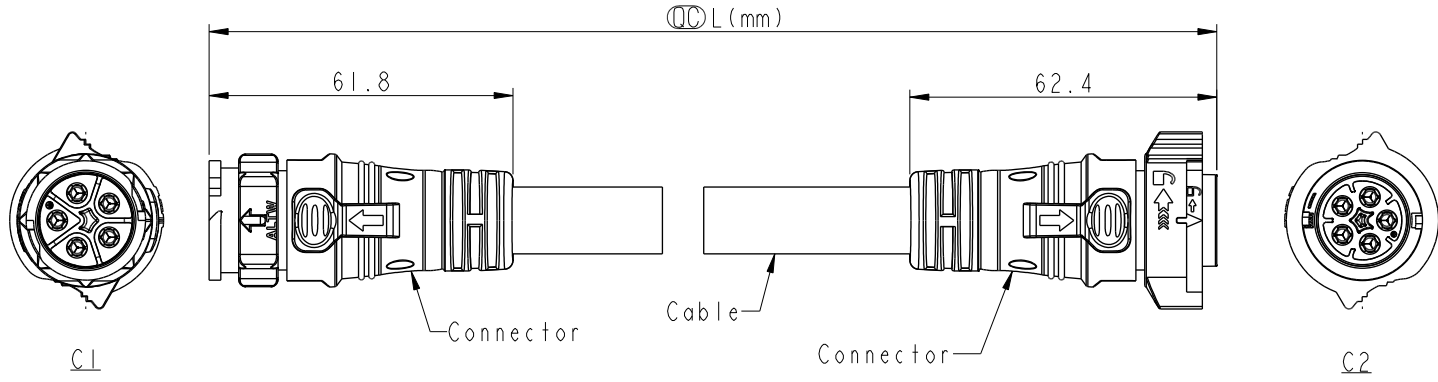


THIS DOCUMENT IS SUBJECT TO CHANGE WITHOUT NOTICE. IT IS CONFIDENTIAL AND A PROPERTY OF AMPHENOL LTW. DISCLOSURE TO THIRD PARTY HAS TO BE AUTHORIZED BY AMPHENOL LTW.

REV.	ECN NO.	DATE	SIGN	DESCRIPTION
A		2020/01/10	Ruru	Initial Released
B	C220438	2022/03/21	Ruru	$\triangle B$ X2
C	C230174	2023/02/10	Vicky	$\triangle C$ X2



- Note:  $\triangle B$
- \* RoHS Compliant
  - \*  $\circ L$  Important dimension
  - \* C1
  - $\triangle A$  Waterproof rate: IP68, mated 1m/24h
  - Housing: Thermoplastic, Black
  - Pin: Copper Alloy, Gold Plated
  - Outer mold: Thermoplastic, Black
  - \* C2
  - $\triangle C$  Waterproof rate: IP68, mated 1m/24h
  - Housing: Thermoplastic, Black
  - Pin: Copper Alloy, Gold Plated
  - O-Ring: Rubber, Dark Gray
  - Nut: Thermoplastic, Black
  - Outer mold: Thermoplastic, Black
  - \* Cable: SJTW, PVC Jacket, Black
  - \* Cable length tolerance:  $0.5M < L \leq 1M$ : +60/-0 mm
  - $1M < L \leq 3M$ : +120/-0 mm
  - $3M < L \leq 5M$ : +160/-0 mm
  - $5M < L \leq 10M$ :  $\pm 100$  mm
  - $10M < L \leq 20M$ :  $\pm 200$  mm
  - $20M < L \leq 30M$ :  $\pm 300$  mm
  - $30M < L \leq 99M$ :  $\pm 500$  mm

UNIT: mm		TITLE	ACC, XLOK, D-20A, DB-ENDED MF		
TOLERANCE	$\pm 0.5$ mm	SCALE	1:2	SIZE	A4
		REV.	C	WC-REV.	
				$\circ L$ : Inspection item	

**Amphenol LTW**  
安費諾亮泰企業股份有限公司

ITEM NO.	DRAWN BY	DATE
	Ruru	2020-01-10
DWG NO.	CHECKED BY	DATE
AB-DCXXML-DCBL-QEXXX	Rita	2020-01-10
CUSTOMER	APPROVED BY	DATE
ALTW	Max	2020-01-10

THIS DOCUMENT IS SUBJECT TO CHANGE WITHOUT NOTICE. IT IS CONFIDENTIAL AND A PROPERTY OF AMPHENOL LTW. DISCLOSURE TO THIRD PARTY HAS TO BE AUTHORIZED BY AMPHENOL LTW.

5P	PVC	13.6	12	AB-DC05ML-DCBL-QEXXX
3P		11.7		AB-DC03ML-DCBL-QEXXX
2P		10.7		AB-DC02ML-DCBL-QEXXX
Contacts	Cable Jacket	Cable OD	AWG	Item No.

AB- DC XX M L - DC B L - Q E XXX



XX: No. Of Pin

XXX: 0.5~99Meters  
 A05: 0.5 Meter  
 001: 01 Meter  
 002: 02 Meters  
 :  
 099: 99 Meters

Pin Out	2 White 白 1 Black 黑	3 Green 綠 2 White 白 1 Black 黑	5 Brown 棕 4 Red 紅 3 Green 綠 2 White 白 1 Black 黑
	Pin # Wire	Pin # Wire	Pin # Wire
C2	 2P	 3P	 5P
C1	 2P	 3P	 5P
Pin Assignments Front View			

UNIT:mm	
TOLERANCE	± 0.5 mm

TITLE ACC, XLOK, D-20A, DB-ENDED MF		
SCALE 1:2	SIZE A4	SHEET 2 OF 2
REV. C	WC-REV.	Inspection item

**Amphenol LTW**  
 安費諾亮泰企業股份有限公司

ITEM NO	DRAWN BY Ruru	DATE 2020-01-10
DWG NO AB-DCXXML-DCBL-QEXXX	CHECKED BY Rita	DATE 2020-01-10
CUSTOMER ALTW	APPROVED BY Max	DATE 2020-01-10