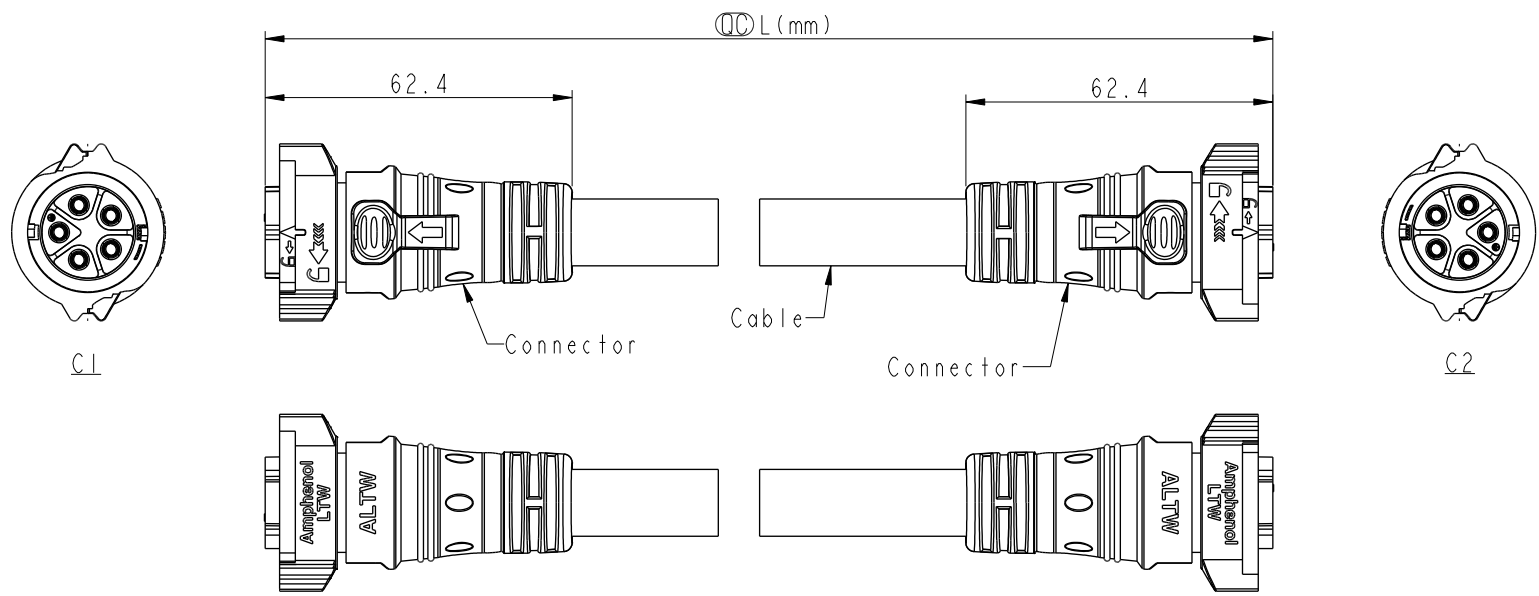


THIS DOCUMENT IS SUBJECT TO CHANGE WITHOUT NOTICE. IT IS CONFIDENTIAL AND A PROPERTY OF Amphenol LTW. DISCLOSURE TO THIRD PARTY HAS TO BE AUTHORIZED BY Amphenol LTW.

REV.	ECN NO.	DATE	SIGN	DESCRIPTION
A		2020/01/13	Ruru	Initial Released
B	C220431	2022/03/18	Ruru	$\triangle B$ X2
C	C230174	2023/02/10	Vicky	$\triangle C$ X1



- Note: $\triangle B$
- * RoHS Compliant
 - * \odot Important dimension
 - $\triangle C$ * Waterproof rate: IP68, mated 1m/24h
 - * Connector
- Housing: Thermoplastic, Black
 Pin: Copper Alloy, Gold Plated
 O-Ring: Rubber, Dark Gray
 Nut: Thermoplastic, Black
 Outer mold: Thermoplastic, Black
- * Cable: SJTW, PVC Jacket, Black
 - * Cable length tolerance: 0.5M < L ≤ 1M: +60/-0 mm
 1M < L ≤ 3M: +120/-0 mm
 3M < L ≤ 5M: +160/-0 mm
 5M < L ≤ 10M: ±100 mm
 10M < L ≤ 20M: ±200 mm
 20M < L ≤ 30M: ±300 mm
 30M < L ≤ 99M: ±500 mm

UNIT: mm		TITLE ACC, XLOK, D-20A, DB-ENDED FF
TOLERANCE ±0.5 mm	SCALE 1:2	SIZE A4
	REV. C	SHEET 1 OF 2
	WC-REV.	\odot : Inspection item

Amphenol LTW
 安費諾亮泰企業股份有限公司

ITEM NO.	DRAWN BY Ruru	DATE 2020-01-13
DWG NO. AB-DCXXFL-DCFL-QEXXX	CHECKED BY Rita	DATE 2020-01-13
CUSTOMER ALTW	APPROVED BY Max	DATE 2020-01-13

THIS DOCUMENT IS SUBJECT TO CHANGE WITHOUT NOTICE. IT IS CONFIDENTIAL AND A PROPERTY OF Amphenol LTW. DISCLOSURE TO THIRD PARTY HAS TO BE AUTHORIZED BY Amphenol LTW.

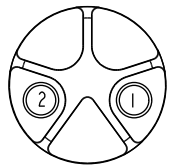
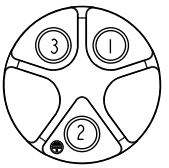
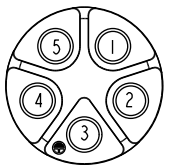
5P		PVC	13.6	12	AB-DC05FL-DCFL-QEXXX
3P			11.7		AB-DC03FL-DCFL-QEXXX
2P			10.7		AB-DC02FL-DCFL-QEXXX
Contacts	Cable Jacket	Cable OD	AWG	Item No.	

AB- DC XX FL - DC FL - Q E XXX

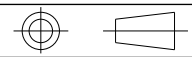


XX: No. Of Pin

XXX: 0.5~99Meters
 A05: 0.5 Meter
 001: 01 Meter
 002: 02 Meters
 :
 099: 99 Meters

Pin Out	Pin #	Wire	Pin #	Wire	Pin #	Wire
2 White 白 1 Black 黑	2	White 白 Black 黑	3 Green 綠 2 White 白 1 Black 黑	Green 綠 White 白 Black 黑	5 Brown 棕 4 Red 紅 3 Green 綠 2 White 白 1 Black 黑	Brown 棕 Red 紅 Green 綠 White 白 Black 黑
C1 & C2						
	2P		3P		5P	

Pin Assignments Front View

UNIT:mm		TITLE	ACC, XLOK, D-20A, DB-ENDED FF		ITEM NO	DRAWN BY	DATE
TOLERANCE	± 0.5 mm	SCALE	1:2	SIZE A4	SHEET 2 OF 2	CHECKED BY	DATE
		REV.	C	WC-REV.	 : Inspection item	APPROVED BY	DATE
				Amphenol LTW 安費諾亮泰企業股份有限公司		CUSTOMER	DATE
				ALTW		Max	2020-01-13