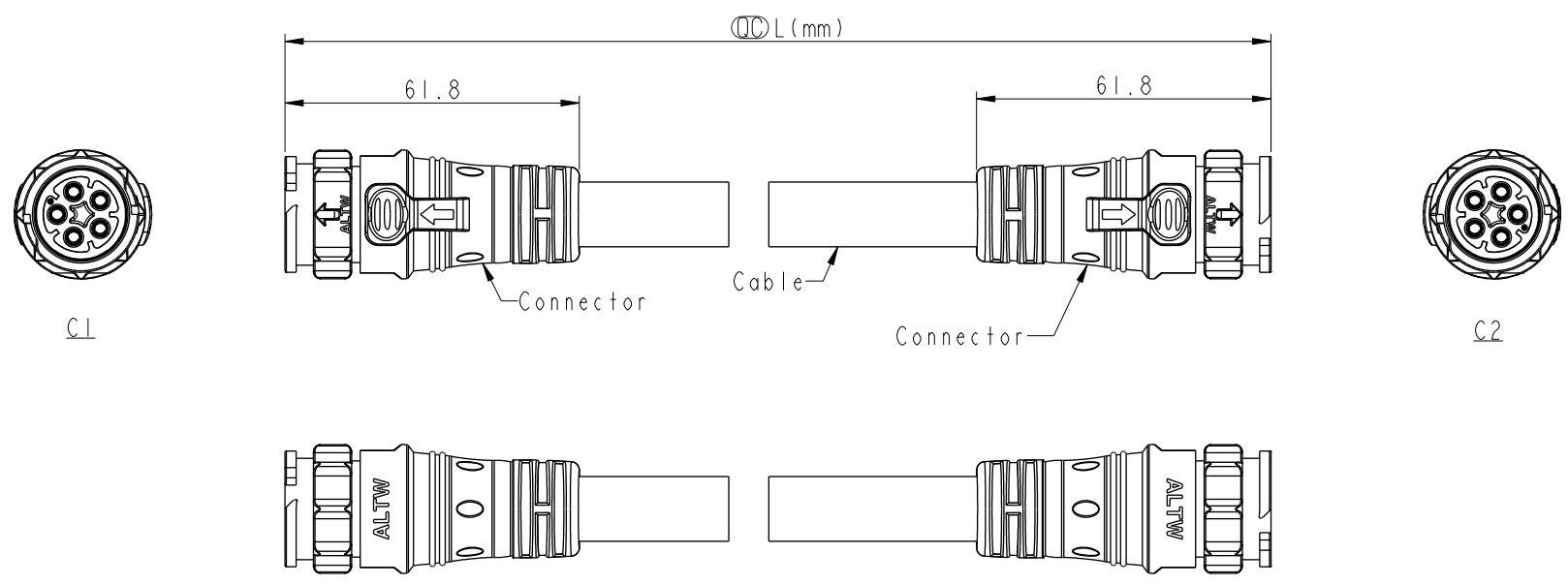


THIS DOCUMENT IS SUBJECT TO CHANGE WITHOUT NOTICE. IT IS CONFIDENTIAL AND A PROPERTY OF AMPHENOL LTW. DISCLOSURE TO THIRD PARTY HAS TO BE AUTHORIZED BY AMPHENOL LTW.

REV.	ECN NO.	DATE	SIGN	DESCRIPTION
A		2020/01/13	Ruru	Initial Released
B	C220438	2022/03/21	Ruru	$\triangle B$ X2
C	C230174	2023/02/10	Vicky	$\triangle C$ X1



Note: $\triangle B$

- * RoHS Compliant
- * \circ Important dimension
- $\triangle C$ * Waterproof rate: IP68, mated 1m/24h
- * Connector
- Housing: Thermoplastic, Black
- Pin: Copper Alloy, Gold Plated
- Outer mold: Thermoplastic, Black
- * Cable: SJTW, PVC Jacket, Black
- * Cable length tolerance:

0.5M < L ≤ 1M	+60/-0 mm
1M < L ≤ 3M	+120/-0 mm
3M < L ≤ 5M	+160/-0 mm
5M < L ≤ 10M	±100 mm
10M < L ≤ 20M	±200 mm
20M < L ≤ 30M	±300 mm
30M < L ≤ 99M	±500 mm

UNIT: mm TOLERANCE ±0.5 mm	TITLE ACC, XLOK, D-20A, DB-ENDED MM		Amphenol LTW 安費諾亮泰企業股份有限公司		ITEM NO	DRAWN BY Ruru	DATE 2020-01-13
	SCALE 1:2	SIZE A4			SHEET 1 OF 2	DWG NO AB-DCXXHL-DCHL-QEXXX	CHECKED BY Rita
	REV. C	WC-REV.	\circ : Inspection item	CUSTOMER ALTW	APPROVED BY Max	DATE 2020-01-13	

THIS DOCUMENT IS SUBJECT TO CHANGE WITHOUT NOTICE. IT IS CONFIDENTIAL AND A PROPERTY OF Amphenol LTW. DISCLOSURE TO THIRD PARTY HAS TO BE AUTHORIZED BY Amphenol LTW.

6		7		8	
5P	PVC	13.6	12	AB-DC05HL-DCHL-QEXXX	
3P		11.7		AB-DC03HL-DCHL-QEXXX	
2P		10.7		AB-DC02HL-DCHL-QEXXX	
Contacts	Cable Jacket	Cable OD	AWG	Item No.	

AB- DC XX H L - DC H L - Q E XXX



XX: No. Of Pin

XXX: 0.5~99Meters
 A05: 0.5 Meter
 001: 01 Meter
 002: 02 Meters
 :
 099: 99 Meters

Pin Out	2 White 白 1 Black 黑	3 Green 綠 2 White 白 1 Black 黑	5 Brown 棕 4 Red 紅 3 Green 綠 2 White 白 1 Black 黑
	Pin # Wire	Pin # Wire	Pin # Wire
CI & C2			
	2P	3P	5P
Pin Assignments Front View			

UNIT:mm

TOLERANCE
± 0.5 mm

TITLE ACC, XLOK, D-20A, DB-ENDED MM

SCALE 1:2 SIZE A4 SHEET 2 OF 2

REV. C WC-REV. Inspection item

Amphenol LTW
 安費諾亮泰企業股份有限公司

ITEM NO	DRAWN BY Ruru	DATE 2020-01-13
DWG NO AB-DCXXHL-DCHL-QEXXX	CHECKED BY Rita	DATE 2020-01-13
CUSTOMER ALTW	APPROVED BY Max	DATE 2020-01-13