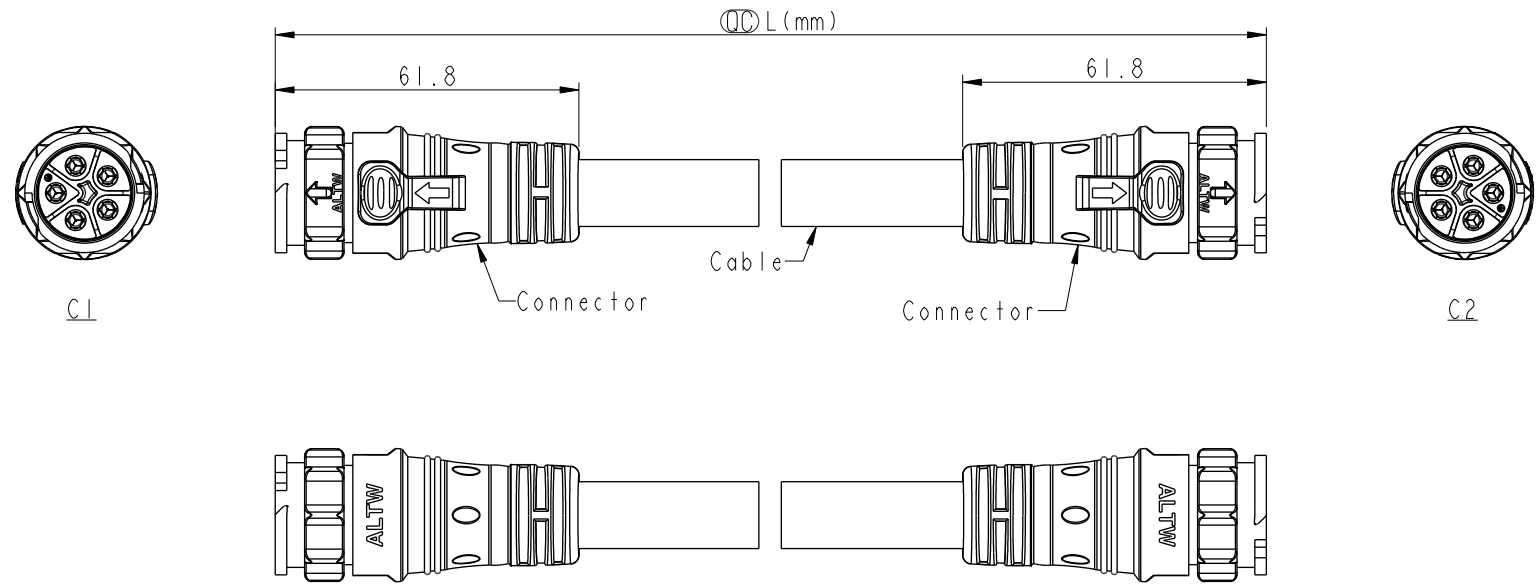


THIS DOCUMENT IS SUBJECT TO CHANGE WITHOUT NOTICE. IT IS CONFIDENTIAL AND A PROPERTY OF AMPHENOL LTW. DISCLOSURE TO THIRD PARTY HAS TO BE AUTHORIZED BY AMPHENOL LTW.

REV.	ECN NO.	DATE	SIGN	DESCRIPTION
A		2020/01/13	Ruru	Initial Released
B	C220438	2022/03/21	Ruru	$\triangle B$ X2
C	C230175	2023/02/10	Vicky	$\triangle C$ X1



- Note: $\triangle B$
- * RoHS Compliant
 - * $\circ L$ Important dimension
 - $\triangle C$ * Waterproof rate: IP68, mated 1m/24h
 - * Connector
 - Housing: Thermoplastic, Black
 - Pin: Copper Alloy, Gold Plated
 - Outer mold: Thermoplastic, Black
 - * Cable: SJTW, PVC Jacket, Black
 - * Cable length tolerance:
 - 0.5M < L ≤ 1M: +60/-0 mm
 - 1M < L ≤ 3M: +120/-0 mm
 - 3M < L ≤ 5M: +160/-0 mm
 - 5M < L ≤ 10M: ±100 mm
 - 10M < L ≤ 20M: ±200 mm
 - 20M < L ≤ 30M: ±300 mm
 - 30M < L ≤ 99M: ±500 mm

UNIT:mm	
TOLERANCE	±0.5 mm

TITLE ACC, XLOK, D-20A, DB-ENDED MM			
SCALE 1:2	SIZE A4	SHEET 1 OF 2	
REV. C	WC-REV.	$\circ L$: Inspection item	

Amphenol LTW
安費諾亮泰企業股份有限公司

ITEM NO	DRAWN BY Ruru	DATE 2020-01-13
DWG NO AB-DCXML-DCML-QEXXX	CHECKED BY Rita	DATE 2020-01-13
CUSTOMER ALTW	APPROVED BY Max	DATE 2020-01-13

THIS DOCUMENT IS SUBJECT TO CHANGE WITHOUT NOTICE. IT IS CONFIDENTIAL AND A PROPERTY OF Amphenol LTW. DISCLOSURE TO THIRD PARTY HAS TO BE AUTHORIZED BY Amphenol LTW.

5P	PVC	13.6	12	AB-DC05ML-DCML-QEXXX
3P		11.7		AB-DC03ML-DCML-QEXXX
2P		10.7		AB-DC02ML-DCML-QEXXX
Contacts	Cable Jacket	Cable OD	AWG	Item No.

AB- DC XX M L - DC M L - Q E XXX



XX: No. Of Pin

XXX: 0.5-99Meters
 A05: 0.5 Meter
 001: 01 Meter
 002: 02 Meters
 :
 099: 99 Meters

Pin Out	2 White 白 1 Black 黑	3 Green 綠 2 White 白 1 Black 黑	5 Brown 棕 4 Red 紅 3 Green 綠 2 White 白 1 Black 黑
	Pin # Wire	Pin # Wire	Pin # Wire
C1 & C2			
	2P	3P	5P
Pin Assignments Front View			

UNIT:mm

TOLERANCE
± 0.5 mm

TITLE
ACC, XLOK, D-20A, DB-ENDED
MM

SCALE 1:2 SIZE A4 SHEET 2 OF 2

REV. C WC-REV. : Inspection item

Amphenol LTW
 安費諾亮泰企業股份有限公司

ITEM NO	DRAWN BY Ruru	DATE 2020-01-13
DWG NO AB-DCXXML-DCML-QEXXX	CHECKED BY Rita	DATE 2020-01-13
CUSTOMER ALTW	APPROVED BY Max	DATE 2020-01-13