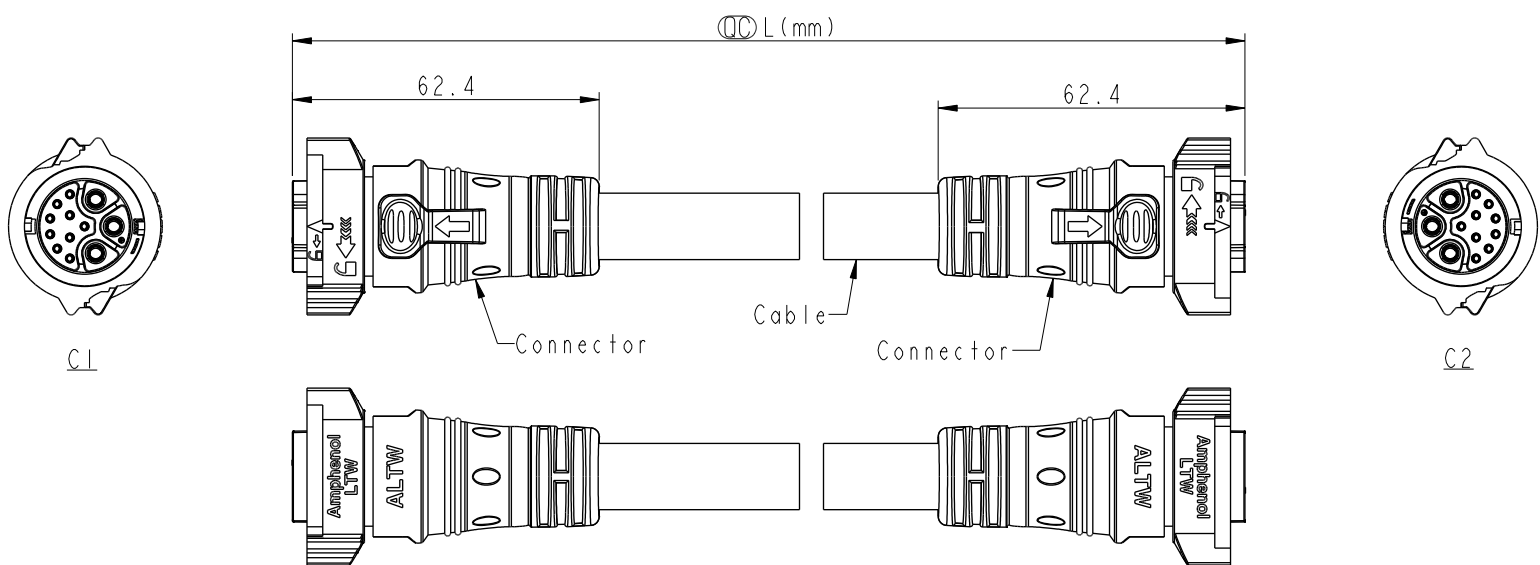


THIS DOCUMENT IS SUBJECT TO CHANGE WITHOUT NOTICE. IT IS CONFIDENTIAL AND A PROPERTY OF Amphenol LTW. DISCLOSURE TO THIRD PARTY HAS TO BE AUTHORIZED BY Amphenol LTW.

REV.	ECN NO.	DATE	SIGN	DESCRIPTION
A		2020/01/17	Ruru	Initial Released
B	C220643	2022/05/03	Ruru	$\triangle B$ X2
C	C230175	2023/02/10	Vicky	$\triangle C$ X1



- Note: $\triangle B$
- * RoHS Compliant
 - * \odot Important dimension
 - $\triangle C$ * Waterproof rate: IP68, mated 1m/24h
 - * Connector
 - Housing: Thermoplastic, Black
 - Pin: Copper Alloy, Gold Plated
 - O-Ring: Rubber, Dark Gray
 - Nut: Thermoplastic, Black
 - Outer mold: Thermoplastic, Black
 - * Cable: UL21996, (26#*4P+D+AL)+12#*3C+AL, OD=13.5mm, PVC Jacket, Black
 - * Cable length tolerance:

0.5M < L ≤ 1M:	+60/-0 mm
1M < L ≤ 3M:	+120/-0 mm
3M < L ≤ 5M:	+160/-0 mm
5M < L ≤ 10M:	±100 mm
10M < L ≤ 20M:	±200 mm
20M < L ≤ 30M:	±300 mm
30M < L ≤ 99M:	±500 mm

UNIT:mm	
TOLERANCE	±0.5 mm

TITLE ACC, XLOK, D-20A+5A, DB-ENDED FF			
SCALE 1:2	SIZE A4	SHEET 1 OF 2	
REV. C	WC-REV.	\odot : Inspection item	

Amphenol LTW
安費諾亮泰企業股份有限公司

ITEM NO.	DRAWN BY Ruru	DATE 2020-01-17
DWG NO. AB-DCDXXFL-DCDFL-QFXXX	CHECKED BY Rita	DATE 2020-01-17
CUSTOMER ALTW	APPROVED BY Max	DATE 2020-01-17

1 2 3 4 5 6 7 8

F

E

D

C

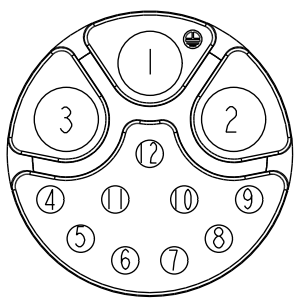
B

A

AB- DCD XX F L - DCD F L - Q F XXX

B
 XX: No. Of Pin

XXX: 0.5~99Meters
 A05: 0.5 Meter
 001: 01 Meter
 002: 02 Meters
 :
 099: 99 Meters



C1 & C2
Pin Assignments
Front View

12	Drain	(26AWG)	地線	
11	Gray	(26AWG)	灰	Twist 對線
10	Yellow	(26AWG)	黃	
9	Orange	(26AWG)	橘	Twist 對線
8	Violet	(26AWG)	紫	
7	Blue	(26AWG)	藍	Twist 對線
6	Red	(26AWG)	紅	
5	Green	(26AWG)	綠	Twist 對線
4	White	(26AWG)	白	
3	Black	(12AWG)	黑	
2	White	(12AWG)	白	
1	Green	(12AWG)	綠	
Conn.	Wire Color			
Pin Out				

UNIT:mm

TOLERANCE

± 0.5 mm

TITLE ACC, XLOK, D-20A+5A, DB-ENDED
FF

SCALE	1:2	SIZE	A4	SHEET	2	OF	2
REV.	C	WC-REV.		Inspection item			

Amphenol LTW
安費諾亮泰企業股份有限公司

ITEM NO	DRAWN BY	DATE
	Ruru	2020-01-17
DWG NO	CHECKED BY	DATE
AB-DCDXXFL-DCDFL-QFXXX	Rita	2020-01-17
CUSTOMER	APPROVED BY	DATE
ALTW	Max	2020-01-17

1 2 3 4 5 6 7 8 W10814-03-01A2