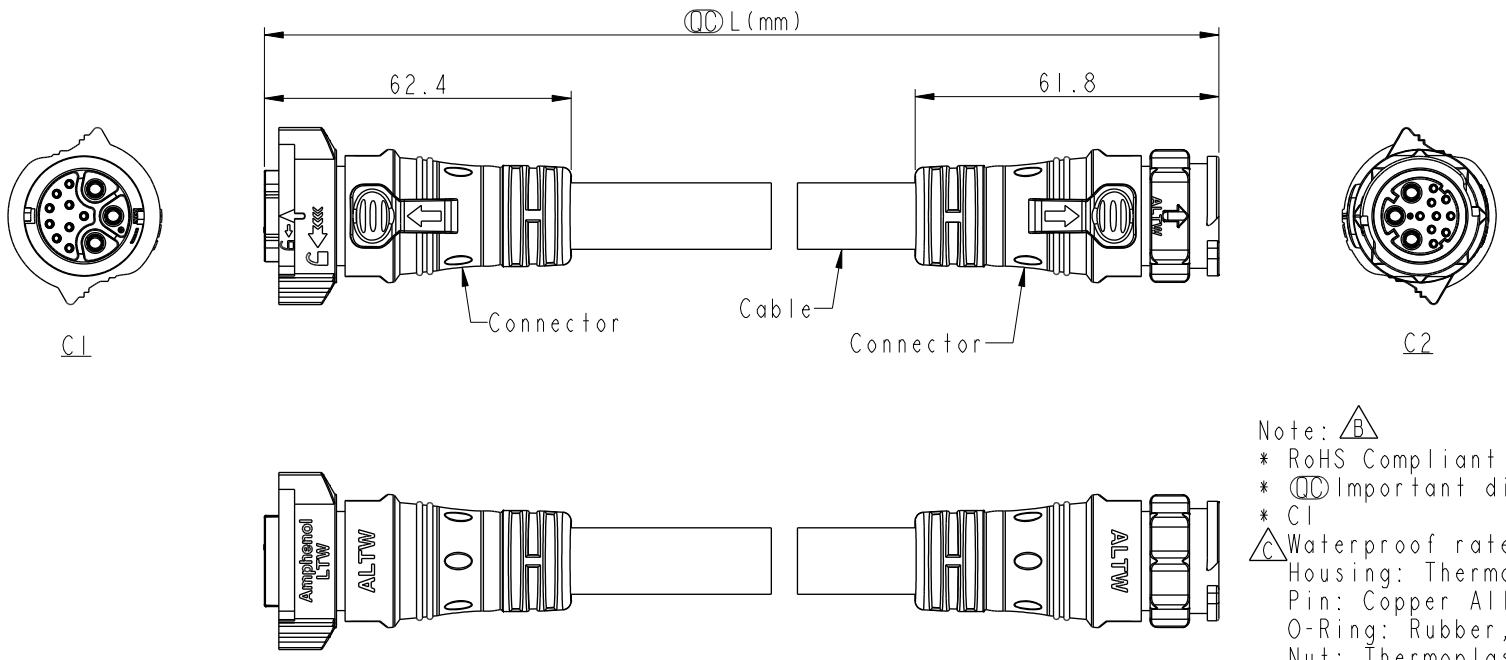


THIS DOCUMENT IS SUBJECT TO CHANGE WITHOUT NOTICE. IT IS CONFIDENTIAL AND A PROPERTY OF Amphenol LTW. DISCLOSURE TO THIRD PARTY HAS TO BE AUTHORIZED BY Amphenol LTW.

REV.	ECN NO.	DATE	SIGN	DESCRIPTION
A		2020/01/21	Ruru	Initial Released
B	C220643	2022/05/03	Ruru	$\triangle B$ X2
C	C230175	2023/02/10	Vicky	$\triangle C$ X2



- Note: $\triangle B$
- * RoHS Compliant
 - * \odot Important dimension
 - * C1
 - $\triangle C$ Waterproof rate: IP68, mated 1m/24h
 Housing: Thermoplastic, Black
 Pin: Copper Alloy, Gold Plated
 O-Ring: Rubber, Dark Gray
 Nut: Thermoplastic, Black
 Outer mold: Thermoplastic, Black
 - * C2
 - $\triangle C$ Waterproof rate: IP68, mated 1m/24h
 Housing: Thermoplastic, Black
 Pin: Copper Alloy, Gold Plated
 Outer mold: Thermoplastic, Black
 - * Cable: UL21996, (26#*4P+D+AL)+12#*3C+AL,
 OD=13.5mm, PVC Jacket, Black
 - * Cable length tolerance: 0.5M < L ≤ 1M: +60/-0 mm
 1M < L ≤ 3M: +120/-0 mm
 3M < L ≤ 5M: +160/-0 mm
 5M < L ≤ 10M: ±100 mm
 10M < L ≤ 20M: ±200 mm
 20M < L ≤ 30M: ±300 mm
 30M < L ≤ 99M: ±500 mm

UNIT: mm		TITLE ACC, XLOK, D-20A+5A, DB-ENDED FM
TOLERANCE ±0.5 mm	SCALE 1:2	SIZE A4
	REV. C	WC-REV.
		\odot : Inspection item

Amphenol LTW
 安費諾亮泰企業股份有限公司

ITEM NO.	DRAWN BY Ruru	DATE 2020-01-21
DWG NO. AB-DCDXXFL-DCDHL-QFXXX	CHECKED BY Rita	DATE 2020-01-21
CUSTOMER ALTW	APPROVED BY Max	DATE 2020-01-21

1 2 3 4 5 6 7 8

F

E

D

C

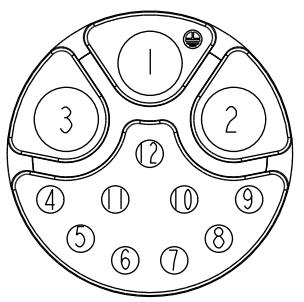
B

A

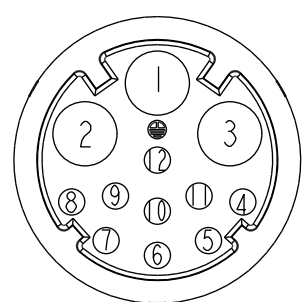
△
XX: No. Of Pin (Pin數)

AB- DCD XX F L - DCD H L - Q F XXX

XXX: 0.5~99Meters
 A05: 0.5 Meter
 001: 01 Meter
 002: 02 Meters
 :
 099: 99 Meters



C1
Pin Assignments
Front View



C2
Pin Assignments
Front View

12	Drain (26AWG)	地線
11	Gray (26AWG)	灰
10	Yellow (26AWG)	黃
9	Orange (26AWG)	橘
8	Violet (26AWG)	紫
7	Blue (26AWG)	藍
6	Red (26AWG)	紅
5	Green (26AWG)	綠
4	White (26AWG)	白
3	Black (12AWG)	黑
2	White (12AWG)	白
1	Green (12AWG)	綠
Conn.	Wire Color	
Pin Out		

Twist
對線

Twist
對線

Twist
對線

Twist
對線

UNIT:mm

TOLERANCE
± 0.5 mm

TITLE ACC, XLOK, D-20A+5A, DB-ENDED FM

SCALE	1:2	SIZE	A4	SHEET	2	OF	2
REV.	C	WC-REV.		QC: Inspection item			

Amphenol LTW

安費諾亮泰企業股份有限公司

ITEM NO	DWG NO	CUSTOMER	DRAWN BY	CHECKED BY	APPROVED BY	DATE
	AB-DCDXXFL-DCDHL-QFXXX	ALTW	Ruru	Rita	Max	2020-01-21

1 2 3 4 5 6 7 8 W10814-03-001A2