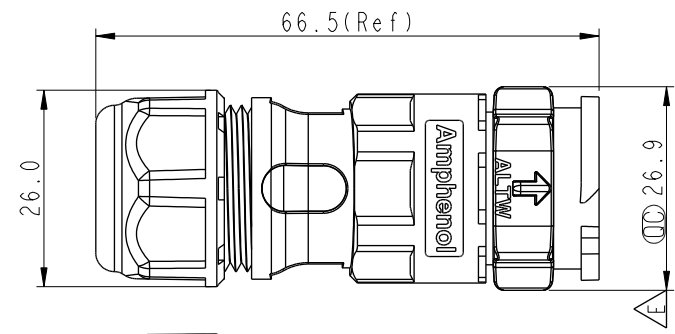
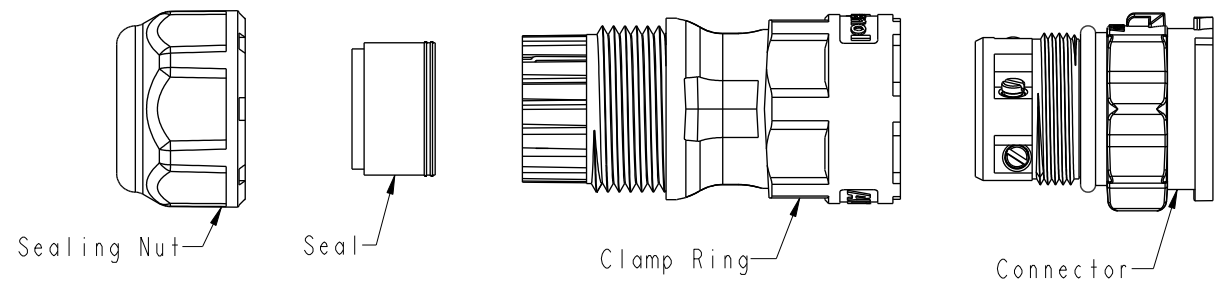


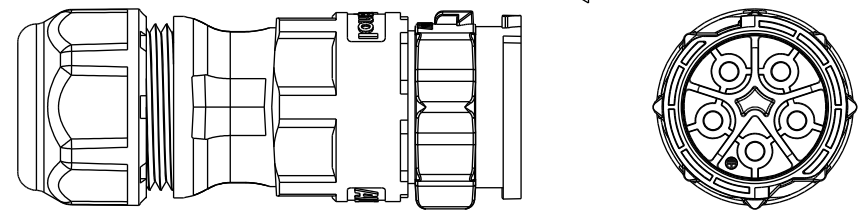
THIS DOCUMENT IS SUBJECT TO CHANGE WITHOUT NOTICE. IT IS CONFIDENTIAL AND A PROPERTY OF Amphenol LTW. DISCLOSURE TO THIRD PARTY HAS TO BE AUTHORIZED BY Amphenol LTW.

REV.	ECN NO.	DATE	SIGN	DESCRIPTION
F	C210786	2021/06/06	Angel Chou	$\triangle F$ X5
G	C220464	2022/04/07	Ruru	$\triangle G$ X4
H	C230187	2023/02/14	Vicky	$\triangle H$ X1



DC-XXBMMB-QL8XPP  
 $\triangle C$   $\triangle G$   
 XX: No. Of Pin

- S: With Red Color Seal 1, Cable OD 8.0~10.0mm.
- M: With Yellow Color Seal 2, Cable OD 10.0~12.0mm.
- L: With Blue Color Seal 3, Cable OD 12.0~14.0mm.
- A: With Seal 1 & Seal 2 & Seal 3.



- Note:  $\triangle E$   $\triangle F$   $\triangle G$
- \* RoHS Compliant
  - \*  $\varnothing$  Important dimension
  - \*  $\triangle H$  Waterproof rate: IP68, mated 1m/24h
  - \* Connector
  - Housing: Thermoplastic, Black
  - Pin: Copper Alloy, Silver Plated
  - O-Ring: Rubber, Dark Gray
  - \* Clamp Ring: Thermoplastic, Black
  - \* Sealing Nut: Thermoplastic, Black
  - \* Seals: Rubber

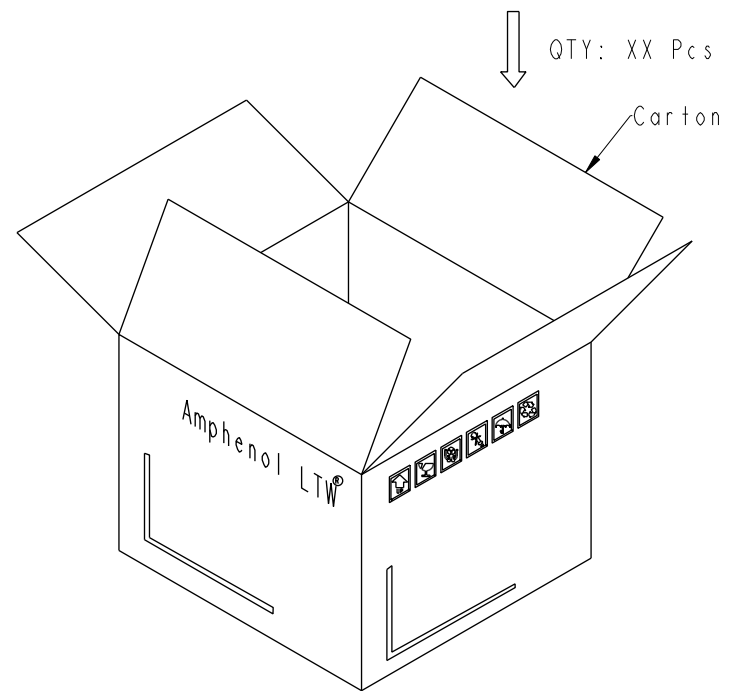
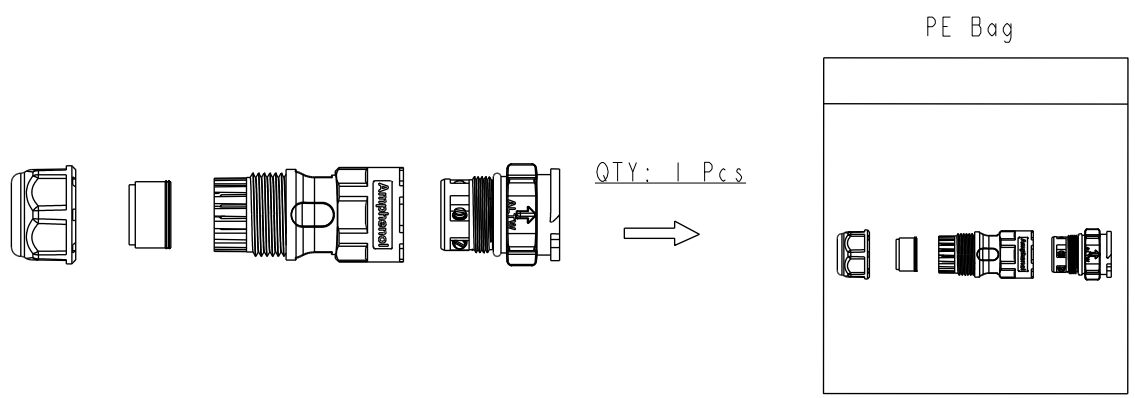
Pin Assignments Front View	$\triangle F$	$\triangle F$	$\triangle F$	$\triangle F$
2 Pin	3 Pin	4 Pin	5 Pin	

UNIT:mm		TITLE	$\triangle E$
TOLERANCE	$\pm 0.5$ mm	XLOK, D-20A, CABLE W/O SR M, M, FI SCREW IN, PUSH LOCK	$\triangle G$
SCALE	8:5	SIZE	A4
REV.	H	WC-REV.	A.3
		SHEET	1 OF 2
		$\varnothing$ Inspection item	

**Amphenol LTW**  
 安費諾亮泰企業股份有限公司

ITEM NO	DRAWN BY	DATE
	Siou	2019-08-02
DWG NO	CHECKED BY	DATE
DC-XXBMMB-QL8XPP	Eagle	2019-08-02
CUSTOMER	APPROVED BY	DATE
ALTW	Neo	2019-08-02

THIS DOCUMENT IS SUBJECT TO CHANGE WITHOUT NOTICE. IT IS CONFIDENTIAL AND A PROPERTY OF Amphenol LTW. DISCLOSURE TO THIRD PARTY HAS TO BE AUTHORIZED BY Amphenol LTW.



Note:  
 \* One Set Unassembled In One PE Bag.  
 (每一組未組裝, 放置於一個PE袋, 並封口, 如圖示)  
 △ \* Label is Attached To PE Bag Front.  
 (標籤貼在PE袋正面)

UNIT:mm	
TOLERANCE	
±0.5 mm	

TITLE XLOK, D-20A, CABLE W/O SR M, M, FI SCREW IN, PUSH LOCK				
SCALE 8:5	SIZE A4	SHEET 2 OF 2		
REV. H	WC-REV. A.3	◎: Inspection item		

**Amphenol LTW**  
 安費諾亮泰企業股份有限公司

ITEM NO	DRAWN BY Siou	DATE 2019-08-02
DWG NO DC-XXBMMB-QL8XPP	CHECKED BY Eagle	DATE 2019-08-02
CUSTOMER ALTW	APPROVED BY Neo	DATE 2019-08-02