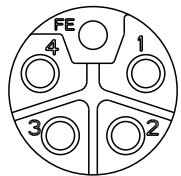
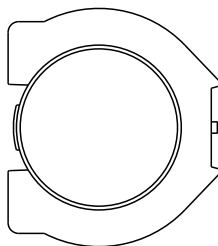
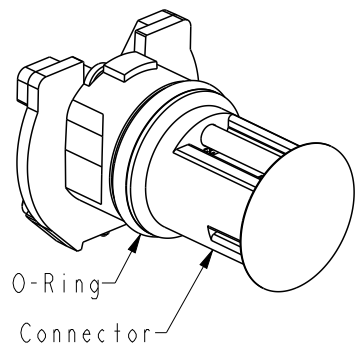
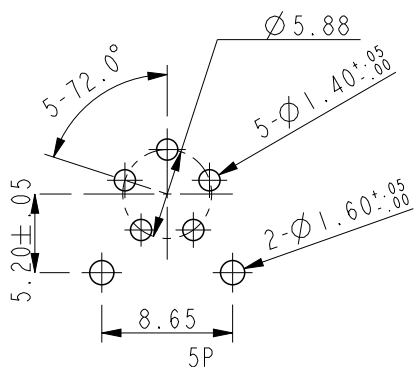


REV.	ECN NO.	DATE	SIGN	DESCRIPTION
C	C230021	2023/03/03	Allen Pan	$\triangle C$ x2
D	C240752	2024/06/20	Yunchen	$\triangle D$ x3
E	C241063	2024/09/18	Yunchen	$\triangle E$ x3

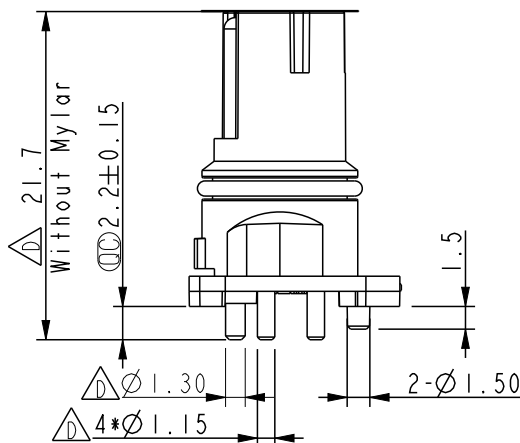


4+FE

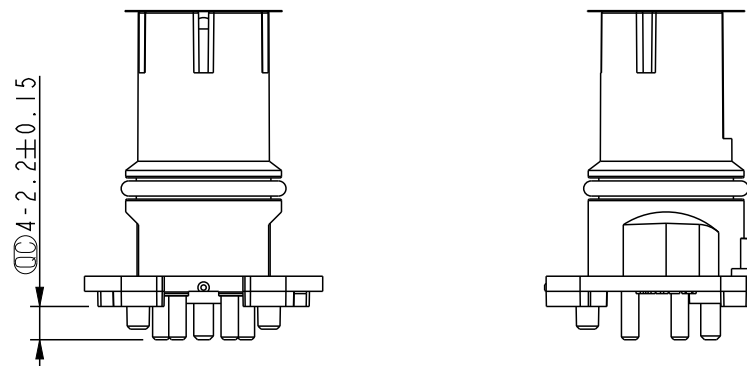
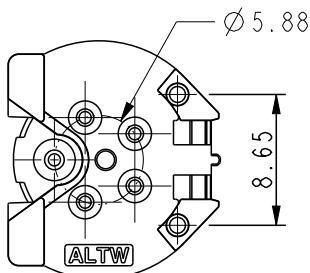
Pin Assignment
Front View



$\triangle B$ PCB Layout



SECTION A-A



$\triangle B$
MI2L-XXPFDP-EE0001

XX: No. Of Pin

$\triangle B$ $\triangle C$ $\triangle E$ Note:

- * RoHS Compliant
- * \circledast Important dimension
- * Waterproof rate: Non-Waterproof
- * Connector
- Housing: Thermoplastic, Black
- Pin: Copper Alloy, Gold Plated
- $\triangle C$ O-Ring: Rubber, Gray
- * For panel thickness max: 4.0mm
- * For pcb thickness: 1.6mm
- * Mylar: PI, Amber

UNIT: mm		
TOLERANCE	.X ±0.25	
	.XX ±0.1	
	.XXX ±0.05	
ANGLES	±2°	

TITLE	N SEN, MI2 L, NONE		$\triangle B$
	RECEPTACLE, F, F PWR+M GND, PCB S		
SCALE	2:1	SIZE	A4
		SHEET	1 OF 3
REV.	E	WC-REV.	\circledast : Inspection item

Amphenol LTW
安費諾亮泰企業股份有限公司

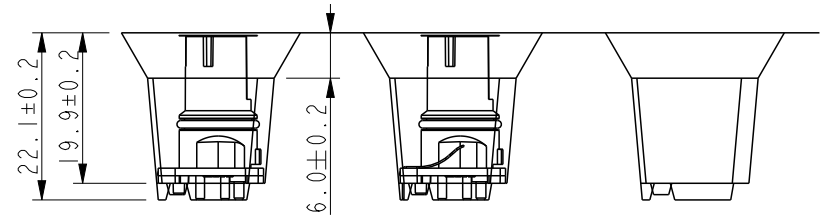
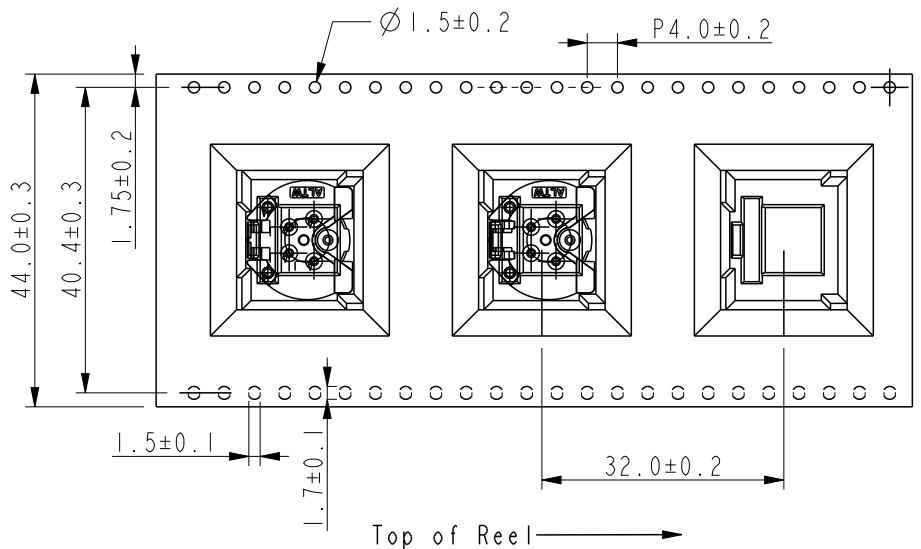
ITEM NO	
DWG NO	MI2L-XXPFDP-EE0001
CUSTOMER	ALTW

DRAWN BY	Yunchen
CHECKED BY	Aric
APPROVED BY	Fred

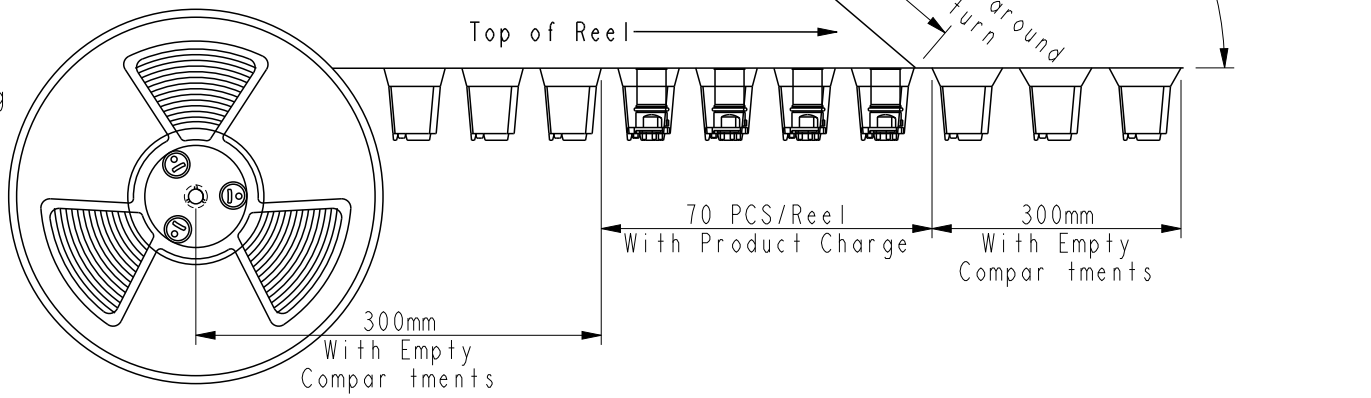
DATE	2024/09/18
DATE	2024/09/18
DATE	2024/09/18

THIS DOCUMENT IS SUBJECT TO CHANGE WITHOUT NOTICE. IT IS CONFIDENTIAL AND A PROPERTY OF AMPHENOL LTW. DISCLOSURE TO THIRD PARTY HAS TO BE AUTHORIZED BY AMPHENOL LTW.

THIS DOCUMENT IS SUBJECT TO CHANGE WITHOUT NOTICE. IT IS CONFIDENTIAL AND A PROPERTY OF Amphenol LTW. DISCLOSURE TO THIRD PARTY HAS TO BE AUTHORIZED BY Amphenol LTW.



Note:
 *Ⓞ Connector Orientation follow Drawing



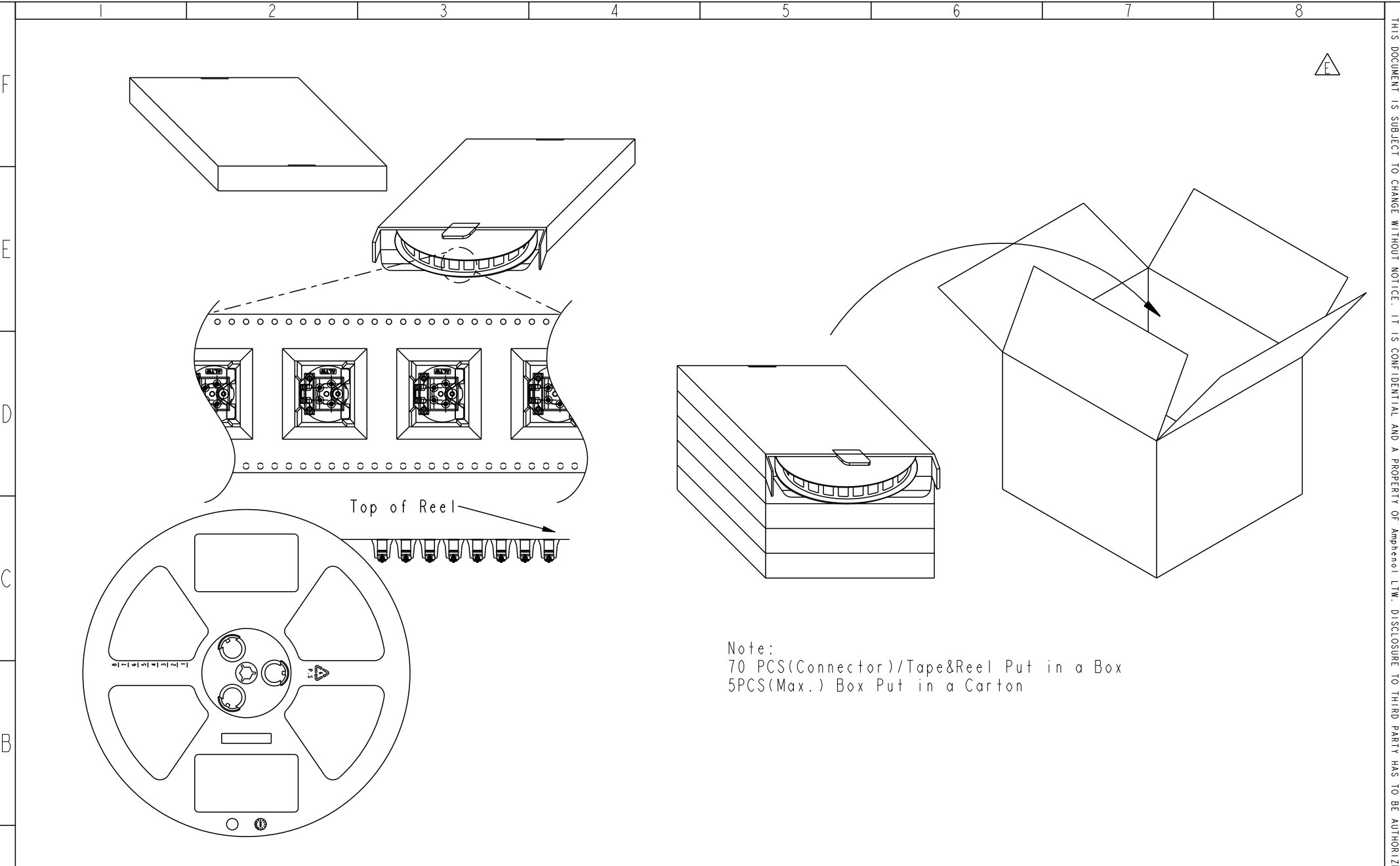
UNIT: mm
 TOLERANCE

TITLE N SEN, M12 L, NONE RECEPTACLE, F, F PWR+M GND, PCB S			
SCALE FREE	SIZE A4	SHEET 2 OF 3	
REV. E	WC-REV. A.19	Ⓞ: Inspection item	

Amphenol LTW
 安費諾亮泰企業股份有限公司

ITEM NO	DRAWN BY Yunchen	DATE 2024/09/18
DWG NO M12L-XXPFD-EE0001	CHECKED BY Aric	DATE 2024/09/18
CUSTOMER ALTW	APPROVED BY Fred	DATE 2024/09/18

THIS DOCUMENT IS SUBJECT TO CHANGE WITHOUT NOTICE. IT IS CONFIDENTIAL AND A PROPERTY OF Amphenol LTW. DISCLOSURE TO THIRD PARTY HAS TO BE AUTHORIZED BY Amphenol LTW.



Note:
 70 PCS(Connector)/Tape&Reel Put in a Box
 5PCS(Max.) Box Put in a Carton

A	UNIT:mm		TITLE N SEN, M12 L, NONE RECEPTACLE, F, F PWR+M GND, PCB S		ITEM NO	DRAWN BY Yunchen	DATE 2024/09/18	
	TOLERANCE		SCALE FREE	SIZE A4	SHEET 3	OF 3	CHECKED BY Aric	DATE 2024/09/18
			REV. E	WC-REV. A.19	☉: Inspection item		APPROVED BY Fred	DATE 2024/09/18
			Amphenol LTW 安費諾亮泰企業股份有限公司		CUSTOMER ALTW		8 W10814-03-01A2	