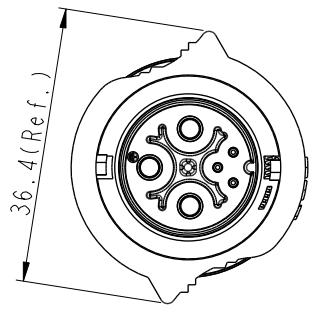


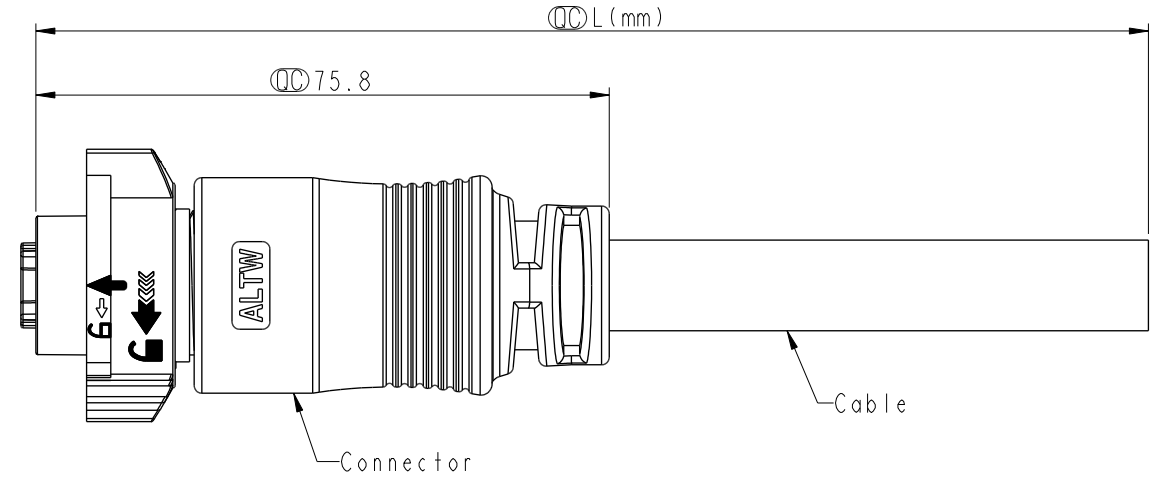
THIS DOCUMENT IS SUBJECT TO CHANGE WITHOUT NOTICE. IT IS CONFIDENTIAL AND A PROPERTY OF AMPHENOL LTW. DISCLOSURE TO THIRD PARTY HAS TO BE AUTHORIZED BY AMPHENOL LTW.

REV.	ECN NO.	DATE	SIGN	DESCRIPTION
A		2021/10/08	Ruru	Initial Released
B	C220629	2022/05/05	Vicky	$\triangle B$ XI
C	C230175	2023/02/10	Vicky	$\triangle C$ XI

DCD-XXAFMM-QL8CXX
 XX: No. Of Pin
 XX: 01~99Meters
 01: 01Meter
 02: 02Meters
 ...
 99: 99Meters



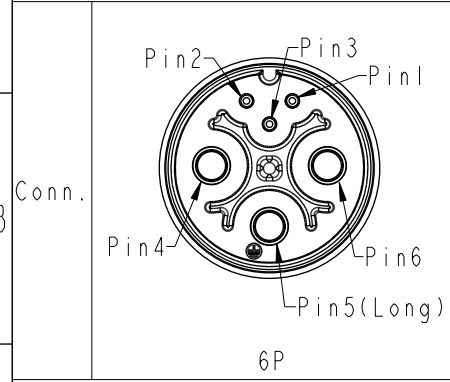
Conn.



Connector

Cable

- Note:
- * RoHS Compliant
 - * $\text{\textcircled{C}}$ Important dimension
 - $\triangle C$ * Waterproof rate: IP68, mated 1m/24h
 - * Connector
 - Housing: Thermoplastic, Black
 - Pin-1: Copper alloy, Gold plated
 - $\triangle B$ Pin-2: Copper alloy, Nickel plated
 - O-Ring: Rubber, Gray
 - Nut: Thermoplastic, Black
 - Outer mold: Thermoplastic, Black
 - * Cable: UL2517 (24#*1P+D+AL)+14#*3C+F+PA, PVC Jacket, OD=12.0, Black
 - * Cable length tolerance: LM: +50/-0 mm
 - 1M < L ≤ 3M: +100/-0 mm
 - 3M < L ≤ 5M: +150/-0 mm
 - 5M < L ≤ 10M: ±100 mm
 - 10M < L ≤ 20M: ±200 mm
 - 20M < L ≤ 30M: ±300 mm
 - 30M < L ≤ 99M: ±500 mm



6	White (14AWG)	白
5	Green (14AWG)	綠
4	Black (14AWG)	黑
3	Drain (24AWG)	地線
2	Orange (24AWG)	橘
1	Red (24AWG)	紅
Conn.	Wire Color	

Twist
對線

Pin Assignments Front View

Pin Out

UNIT:mm

TOLERANCE
±0.5 mm

TITLE			
XLOK, D-20A+5A, CABLE W/SR F, M, MOLDING, PUSH LOCK			
SCALE	SIZE	SHEET	OF
1:1	A4	1	1
REV.	WC-REV.	$\text{\textcircled{C}}$: Inspection item	
C	A.3		

Amphenol LTW
 安費諾亮泰企業股份有限公司

ITEM NO	DWG NO	CHECKED BY	DATE
	DCD-XXAFMM-QL8CXX	Rita	2021-10-08
CUSTOMER	APPROVED BY	DATE	
ALTW	Max	2021-10-08	