

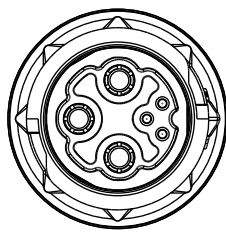
THIS DOCUMENT IS SUBJECT TO CHANGE WITHOUT NOTICE. IT IS CONFIDENTIAL AND A PROPERTY OF AMPHENOL LTW. DISCLOSURE TO THIRD PARTY HAS TO BE AUTHORIZED BY AMPHENOL LTW.

REV.	ECN NO.	DATE	SIGN	DESCRIPTION
A		2021/10/08	Ruru	Initial Released
B	C220629	2022/05/05	Vicky	$\triangle B$ XI
C	C230175	2023/02/13	Vicky	$\triangle C$ XI

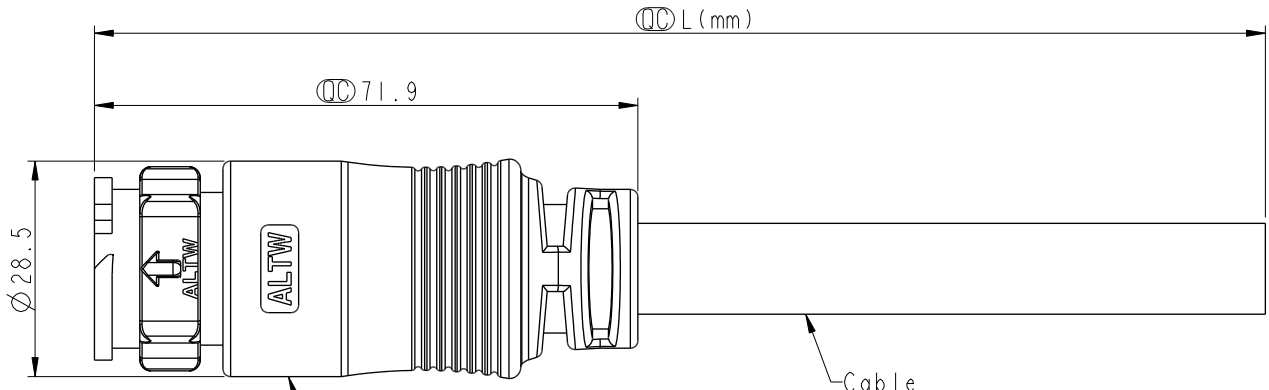
DCD-XXAMFM-QL8CXX

XX: No. Of Pin

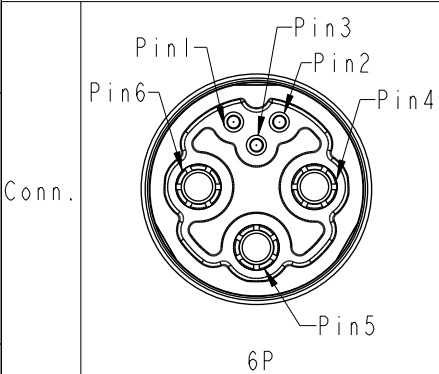
XX: 01~99Meters
 01: 01Meter
 02: 02Meters
 :
 99: 99Meters



Conn.



Note:
 * RoHS Compliant
 * $\text{\textcircled{C}}$ Important dimension
 $\triangle C$ * Waterproof rate: IP68, mated 1m/24h
 * Connector
 Housing: Thermoplastic, Black
 Pin-1: Copper alloy, Gold plated
 $\triangle B$ Pin-2: Copper alloy, Nickel plated
 Outer mold: Thermoplastic, Black
 * Cable: UL2517 (24#*1P+D+AL)+14#*3C+F+PA,
 PVC Jacket, OD=12.0, Black
 * Cable length tolerance: 1M: +50/-0 mm
 3M < L ≤ 5M: +100/-0 mm
 5M < L ≤ 10M: ±100 mm
 10M < L ≤ 20M: ±200 mm
 20M < L ≤ 30M: ±300 mm
 30M < L ≤ 99M: ±500 mm



6	White (14AWG)	白
5	Green (14AWG)	綠
4	Black (14AWG)	黑
3	Drain (24AWG)	地線
2	Orange (24AWG)	橘
1	Red (24AWG)	紅
Conn.	Wire Color	

Twist
對線

Pin Assignments Front View

Pin Out

UNIT:mm

TOLERANCE

±0.5 mm

TITLE XLOK, D-20A+5A, CABLE W/SR M, F, MOLDING, PUSH LOCK			
SCALE 1:1	SIZE A4	SHEET 1 OF 1	
REV. C	WC-REV. A.2	$\text{\textcircled{C}}$: Inspection item	

Amphenol LTW
 安費諾亮泰企業股份有限公司

ITEM NO	DRAWN BY Ruru	DATE 2021-10-08
DWG NO DCD-XXAMFM-QL8CXX	CHECKED BY Rita	DATE 2021-10-08
CUSTOMER ALTW	APPROVED BY Max	DATE 2021-10-08