

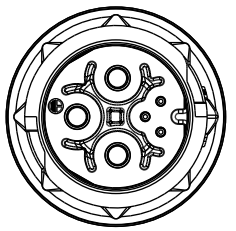
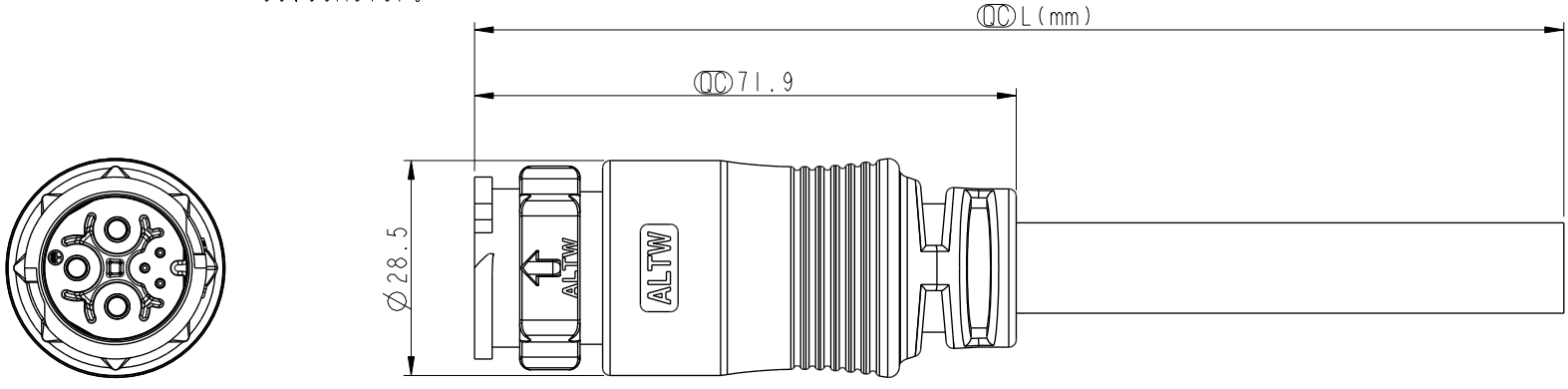
THIS DOCUMENT IS SUBJECT TO CHANGE WITHOUT NOTICE. IT IS CONFIDENTIAL AND A PROPERTY OF AMPHENOL LTW. DISCLOSURE TO THIRD PARTY HAS TO BE AUTHORIZED BY AMPHENOL LTW.

REV.	ECN NO.	DATE	SIGN	DESCRIPTION
A		2021/10/08	Ruru	Initial Released
B	C220629	2022/05/05	Vicky	$\triangle B$ XI
C	C230175	2023/02/13	Vicky	$\triangle C$ XI

DCD-XXAMMM-QL8CXX

XX: No. Of Pin

XX: 01~99Meters  
 01: 01Meter  
 02: 02Meters  
 .  
 99: 99Meters



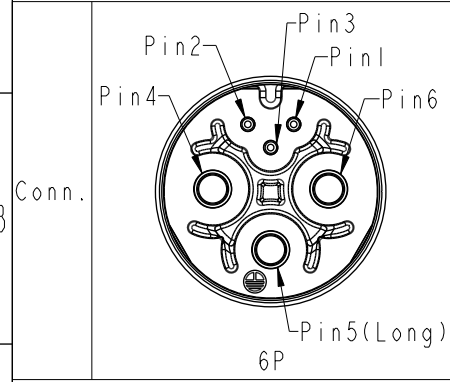
Conn.

Note:

- \* RoHS Compliant
- \*  $\varnothing$  Important dimension
- $\triangle C$  \* Waterproof rate: IP68, mated 1m/24h
- \* Connector

Housing: Thermoplastic, Black  
 Pin-1: Copper alloy, Gold plated  
 $\triangle B$  Pin-2: Copper alloy, Nickel plated  
 Outer mold: Thermoplastic, Black

- \* Cable: UL2517 (24#\*1P+D+AL)+14#\*3C+F+PA, PVC Jacket, OD=12.0, Black
- \* Cable length tolerance: 1M: +50/-0 mm  
 1M < L ≤ 3M: +100/-0 mm  
 3M < L ≤ 5M: +150/-0 mm  
 5M < L ≤ 10M: ±100 mm  
 10M < L ≤ 20M: ±200 mm  
 20M < L ≤ 30M: ±300 mm  
 30M < L ≤ 99M: ±500 mm



6	White (14AWG)	白
5	Green (14AWG)	綠
4	Black (14AWG)	黑
3	Drain (24AWG)	地線
2	Orange (24AWG)	橘
1	Red (24AWG)	紅
Conn.	Wire Color	

Twist  
對線

Pin Assignments Front View Pin Out

UNIT:mm		TITLE	XLOK, D-20A+5A, CABLE W/SR M, M, MOLDING, PUSH LOCK		
TOLERANCE	±0.5 mm	SCALE	1:2	SIZE	A4
		REV.	C	WC-REV.	A.3
				$\varnothing$ Inspection item	

**Amphenol LTW**  
 安費諾亮泰企業股份有限公司

ITEM NO	DWG NO	CHECKED BY	DATE
	DCD-XXAMMM-QL8CXX	Rita	2021-10-08
CUSTOMER	APPROVED BY	DATE	
ALTW	Max	2021-10-08	