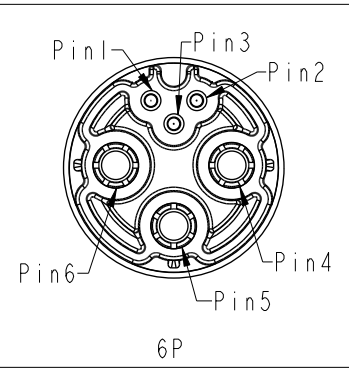
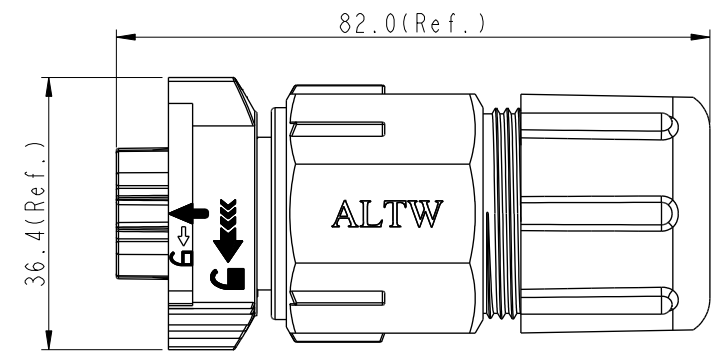
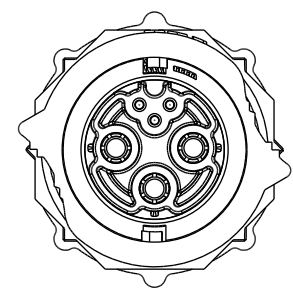
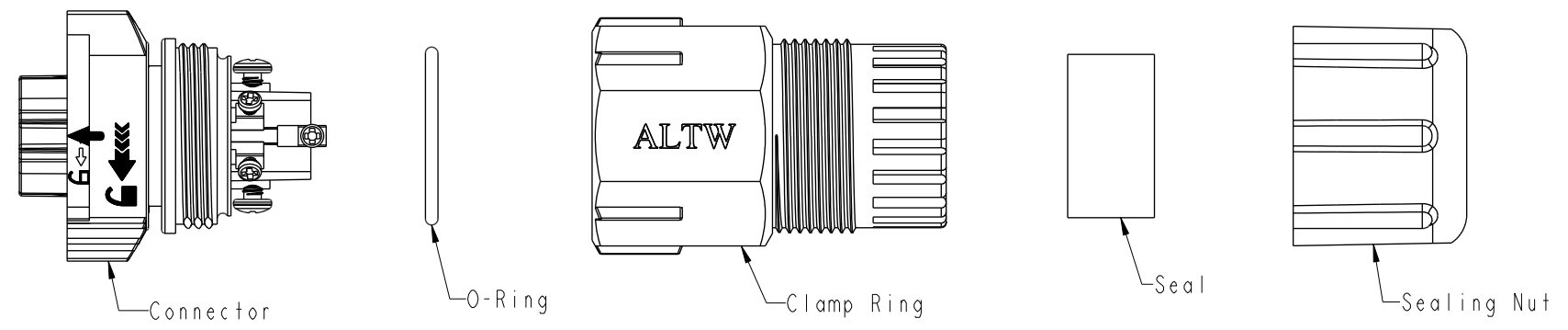


THIS DOCUMENT IS SUBJECT TO CHANGE WITHOUT NOTICE. IT IS CONFIDENTIAL AND A PROPERTY OF AMPHENOL LTW. DISCLOSURE TO THIRD PARTY HAS TO BE AUTHORIZED BY AMPHENOL LTW.

REV.	ECN NO.	DATE	SIGN	DESCRIPTION
A		2021/10/21	Ruru	Initial Released
B	C220628	2022/05/06	Vicky	$\triangle B$ XI
C	C230175	2023/02/13	Vicky	$\triangle C$ XI

DCD-XXBFFB-QL8001  
 XX: No. Of Pin



Pin Assignments  
Front View

Note:

- \* RoHS Compliant
- \*  $\text{\textcircled{O}}$  Important dimension
- $\triangle C$  \* Waterproof rate: IP68, mated 1m/24h
- \* Connector
- Housing: Thermoplastic, Black
- Pin-1: Copper Alloy, Gold plated
- $\triangle B$  Pin-2: Copper Alloy, Nickel plated
- Nut: Thermoplastic, Black
- O-Ring: Rubber, Gray
- \* Clamp Ring: Thermoplastic, Black
- \* Sealing Nut: Thermoplastic, Black
- \* Seal: Rubber, Dark Gray, OD:  $\varnothing 8.0\text{mm}-\varnothing 14.5\text{mm}$
- \* One set assembled in one pe bag

UNIT:mm	$\text{\textcircled{H}}$	$\text{\textcircled{C}}$
TOLERANCE		
.X	$\pm 0.25$	
.XX	$\pm 0.1$	
.XXX	$\pm 0.05$	
ANGLES	$\pm 1^\circ$	

TITLE XLOK, D-20A+5A, CABLE W/O SR F, F, FI SCREW IN, PUSH LOCK			
SCALE 1:1	SIZE A4	SHEET 1 OF 1	
REV. C	WC-REV. A.3	$\text{\textcircled{C}}$ : Inspection item	

**Amphenol LTW**  
 安費諾亮泰企業股份有限公司

ITEM NO	DRAWN BY Ruru	DATE 2021-10-21
DWG NO DCD-XXBFFB-QL8001	CHECKED BY Rita	DATE 2021-10-21
CUSTOMER ALTW	APPROVED BY Max	DATE 2021-10-21