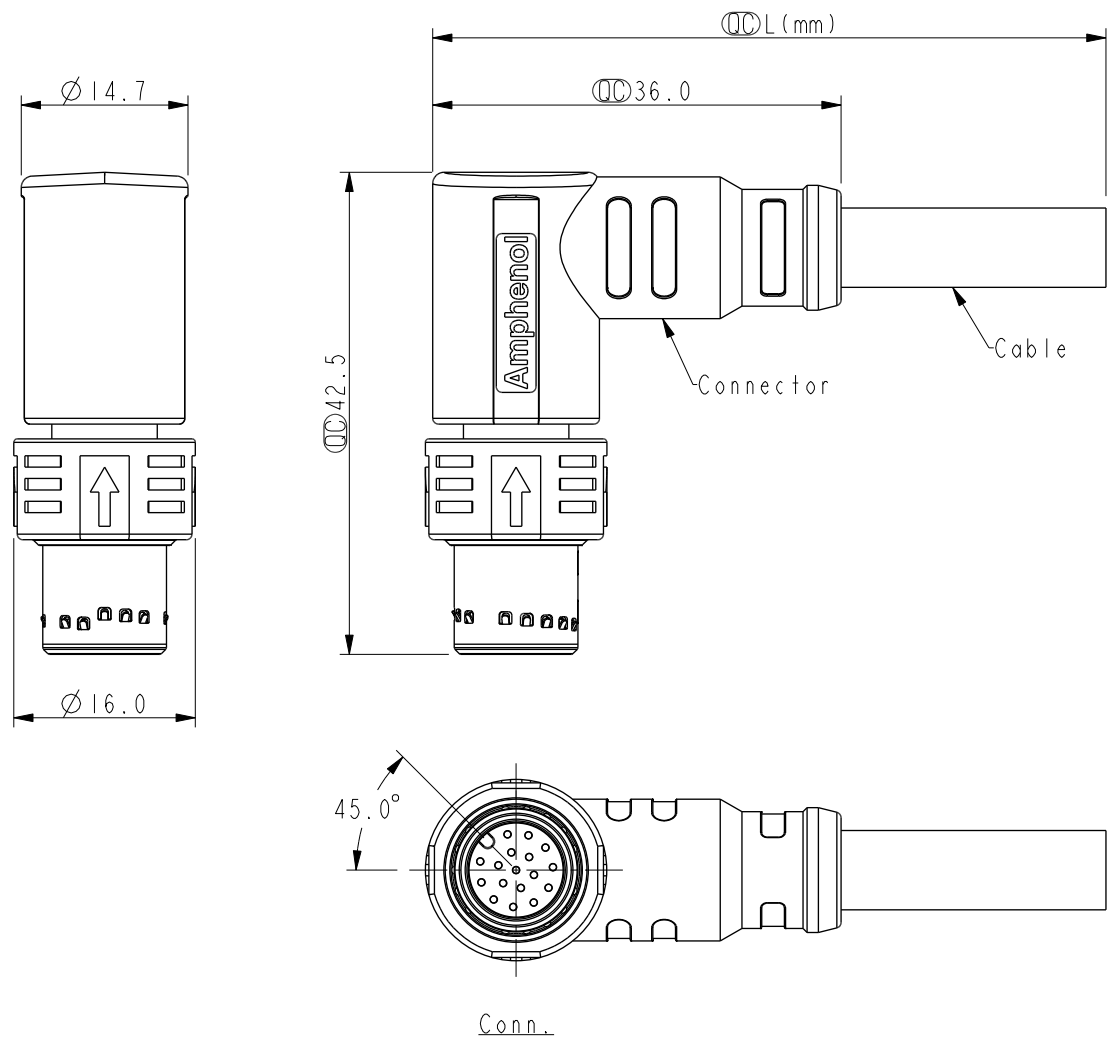


THIS DOCUMENT IS SUBJECT TO CHANGE WITHOUT NOTICE. IT IS CONFIDENTIAL AND A PROPERTY OF Amphenol LTW. DISCLOSURE TO THIRD PARTY HAS TO BE AUTHORIZED BY Amphenol LTW.

REV.	ECN NO.	DATE	SIGN	DESCRIPTION
A		2023-02-03	Allen Pan	Rev.02 To Rev.A



M12A-XXBMMM-PR8BXX

XX: L=01~99Meters
 01: L=1Meter
 02: L=2Meters
 ...
 99: L=99Meters

XX: No. Of Pin

Note:

- * RoHS Compliant
- * \varnothing Important dimension
- * Waterproof Rate: IP68, Mated 1m/24h
- * Connector
 - Housing: Thermoplastic, Black
 - Pin: Copper Alloy, Gold Plated
 - Shell: Metal
 - Slider: Thermoplastic, Black
 - Outer Mold: Thermoplastic, Black
- * Cable: UL20549, PUR Jacket, Black
- * Cable Length Tolerance:
 - 1M: +50/-0 mm
 - 1M < L ≤ 3M: +100/-0 mm
 - 3M < L ≤ 5M: +150/-0 mm
 - 5M < L ≤ 10M: ±100 mm
 - 10M < L ≤ 20M: ±200 mm
 - 20M < L ≤ 30M: ±300 mm
 - 30M < L ≤ 99M: ±500 mm

UNIT: mm	
TOLERANCE	±0.50mm

TITLE N SEN, M12 A, PUSH PULL CABLE W/O SR, M, M, MOLDING			
SCALE 3:2	SIZE A4	SHEET 1 OF 2	
REV. A	WC-REV.	\varnothing : Inspection item	

Amphenol LTW
 安費諾亮泰企業股份有限公司

ITEM NO.	DRAWN BY Allen Pan	DATE 2023-02-03
DWG NO. M12A-XXBMMM-PR8BXX	CHECKED BY Sam Ho	DATE 2023-02-03
CUSTOMER ALTW	APPROVED BY Fred Lee	DATE 2023-02-03

