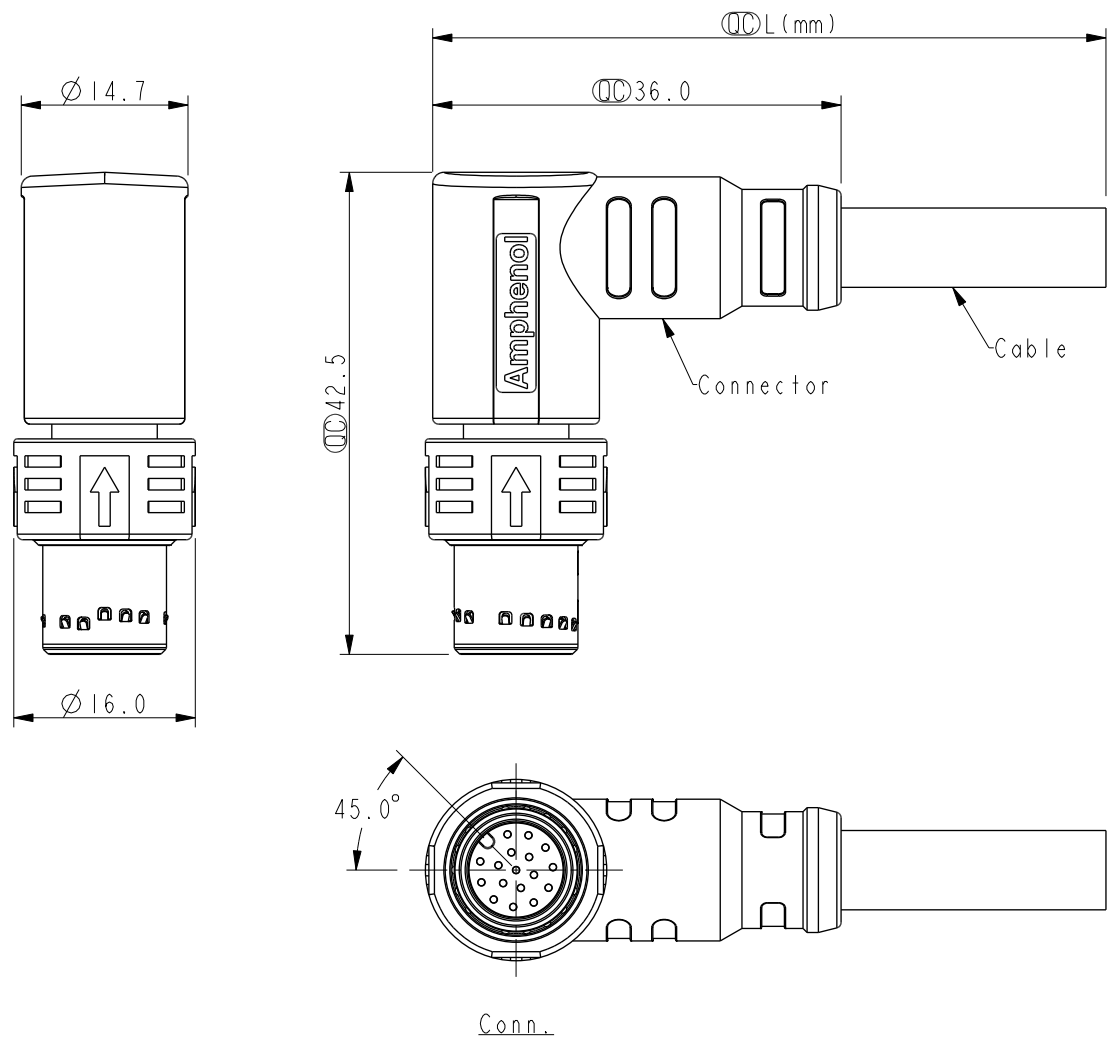


THIS DOCUMENT IS SUBJECT TO CHANGE WITHOUT NOTICE. IT IS CONFIDENTIAL AND A PROPERTY OF Amphenol LTW. DISCLOSURE TO THIRD PARTY HAS TO BE AUTHORIZED BY Amphenol LTW.

REV.	ECN NO.	DATE	SIGN	DESCRIPTION
A		2023-02-03	Allen Pan	Rev.02 To Rev.A



M12A-XXBMMM-PR8DXX

XX: L=01~99Meters  
 01: L=1Meter  
 02: L=2Meters  
 ...  
 99: L=99Meters

XX: No. Of Pin

Note:

- \* RoHS Compliant
- \*  $\varnothing$  Important dimension
- \* Waterproof Rate: IP68, Mated 1m/24h
- \* Connector
  - Housing: Thermoplastic, Black
  - Pin: Copper Alloy, Gold Plated
  - Shell: Metal
  - Slider: Thermoplastic, Black
  - Outer Mold: Thermoplastic, Black
- \* Cable: UL2517, PVC Jacket, Black
- \* Cable Length Tolerance:
  - 1M: +50/-0 mm
  - 1M < L ≤ 3M: +100/-0 mm
  - 3M < L ≤ 5M: +150/-0 mm
  - 5M < L ≤ 10M: ±100 mm
  - 10M < L ≤ 20M: ±200 mm
  - 20M < L ≤ 30M: ±300 mm
  - 30M < L ≤ 99M: ±500 mm

UNIT: mm	
TOLERANCE	
±0.50mm	

TITLE N SEN, M12 A, PUSH PULL CABLE W/O SR, M, M, MOLDING			
SCALE 3:2	SIZE A4	SHEET 1 OF 2	
REV. A	WC-REV.	$\varnothing$ : Inspection item	

**Amphenol LTW**  
 安費諾亮泰企業股份有限公司

ITEM NO.	DRAWN BY Allen Pan	DATE 2023-02-03
DWG NO. M12A-XXBMMM-PR8DXX	CHECKED BY Sam Ho	DATE 2023-02-03
CUSTOMER ALTW	APPROVED BY Fred Lee	DATE 2023-02-03

THIS DOCUMENT IS SUBJECT TO CHANGE WITHOUT NOTICE. IT IS CONFIDENTIAL AND A PROPERTY OF AMPHENOL LTW. DISCLOSURE TO THIRD PARTY HAS TO BE AUTHORIZED BY AMPHENOL LTW.

F	1		2		3		4		5		6		7		8	
													17P	7.0	26	M12A-17BMMM-PR8DXX
													12P	6.0		M12A-12BMMM-PR8DXX
													10P			M12A-10BMMM-PR8DXX
													8P	5.5	24	M12A-08BMMM-PR8DXX
													6P	5.0		M12A-06BMMM-PR8DXX
													5P	5.1		M12A-05BMMM-PR8DXX
													4P	4.8	22	M12A-04BMMM-PR8DXX
													3P	4.5		M12A-03BMMM-PR8DXX
													Contacts	Cable OD	AWG	Item No.

C	Pin Out	5 --	5 --	5 Gray	8 --	8 Red	12 --	12 Red/Blue	17 White/Gray	
		4 Black	4 Black	4 Black	7 Blue	7 Blue	11 --	11 Gray/Pink	16 Yellow/Brown	
		3 Blue	3 Blue	3 Blue	6 Pink	6 Pink	10 Violet	10 Violet	15 White/Yellow	
		2 --	2 White	2 White	5 --	5 Gray	9 Black	9 Black	14 Brown/Green	
		1 Brown	1 Brown	1 Brown	4 Yellow	4 Yellow	8 Red	8 Red	13 White/Green	
		Pin #	Wire	Wire	Wire	Wire	Wire	Wire	Wire	Wire
		Pin #	Wire	Wire	Wire	Wire	Wire	Wire	Wire	Wire
		Pin #	Wire	Wire	Wire	Wire	Wire	Wire	Wire	Wire

Pin Assignments Front View

A	UNIT:mm		TITLE N SEN, M12 A, PUSH PULL CABLE W/O SR, M, M, MOLDING  <b>Amphenol LTW</b> 安費諾亮泰企業股份有限公司	ITEM NO	DRAWN BY	DATE
	TOLERANCE	±0.50mm		DWG NO	Sam Ho	2023-02-03
	SCALE	3:2		SIZE	A4	SHEET
	REV.	A	WC-REV.	CC: Inspection item	CUSTOMER	ALTW
					APPROVED BY	Fred Lee
					DATE	2023-02-03