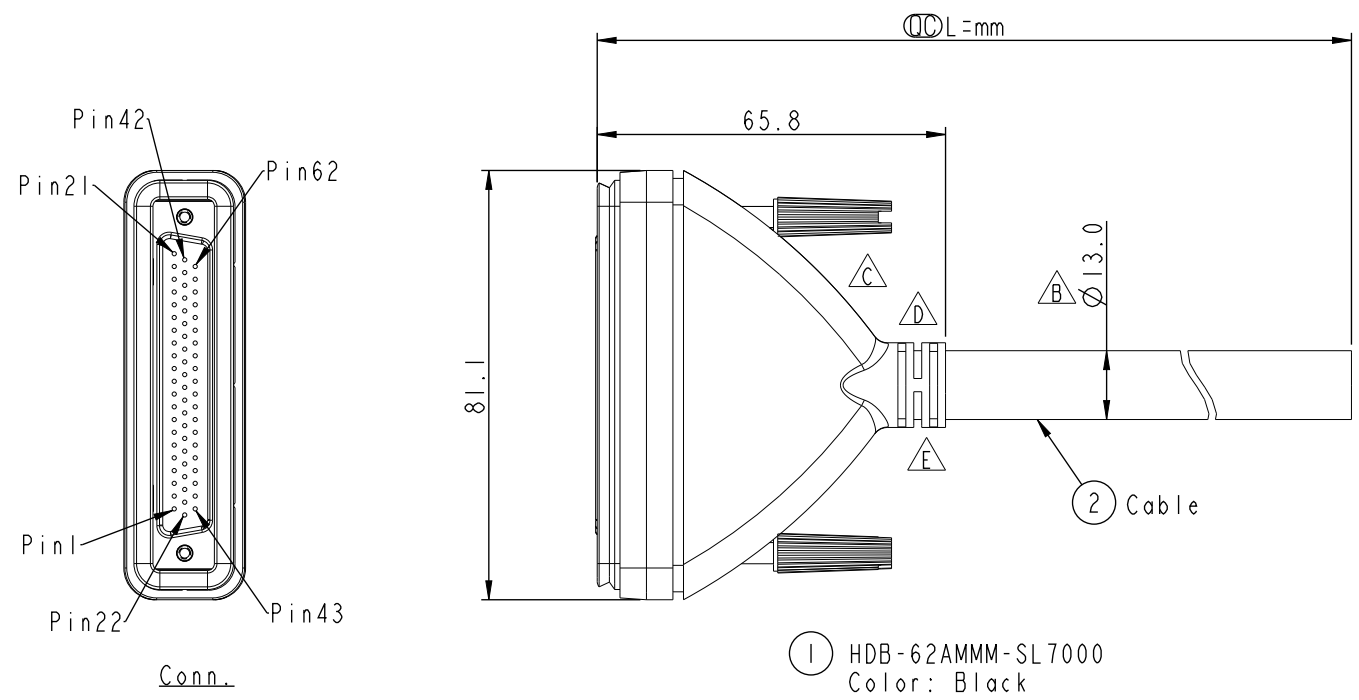


THIS DOCUMENT IS SUBJECT TO CHANGE WITHOUT NOTICE. IT IS CONFIDENTIAL AND A PROPERTY OF AMPHENOL LTW. DISCLOSURE TO THIRD PARTY HAS TO BE AUTHORIZED BY AMPHENOL LTW.

REV.	ECN NO.	DATE	SIGN	DESCRIPTION
C	LEN15A0226~29	2015/04/12	Jason.Yu	Update LOGO & Title
D	C190397	2019/04/03	Siou	Change SR Appearance.
E	C230772	2023/06/09	Alex	△E*2



① HDB-62AMMM-SL7000
Color: Black

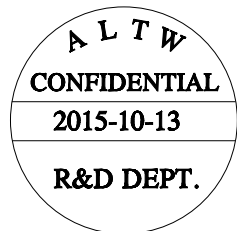
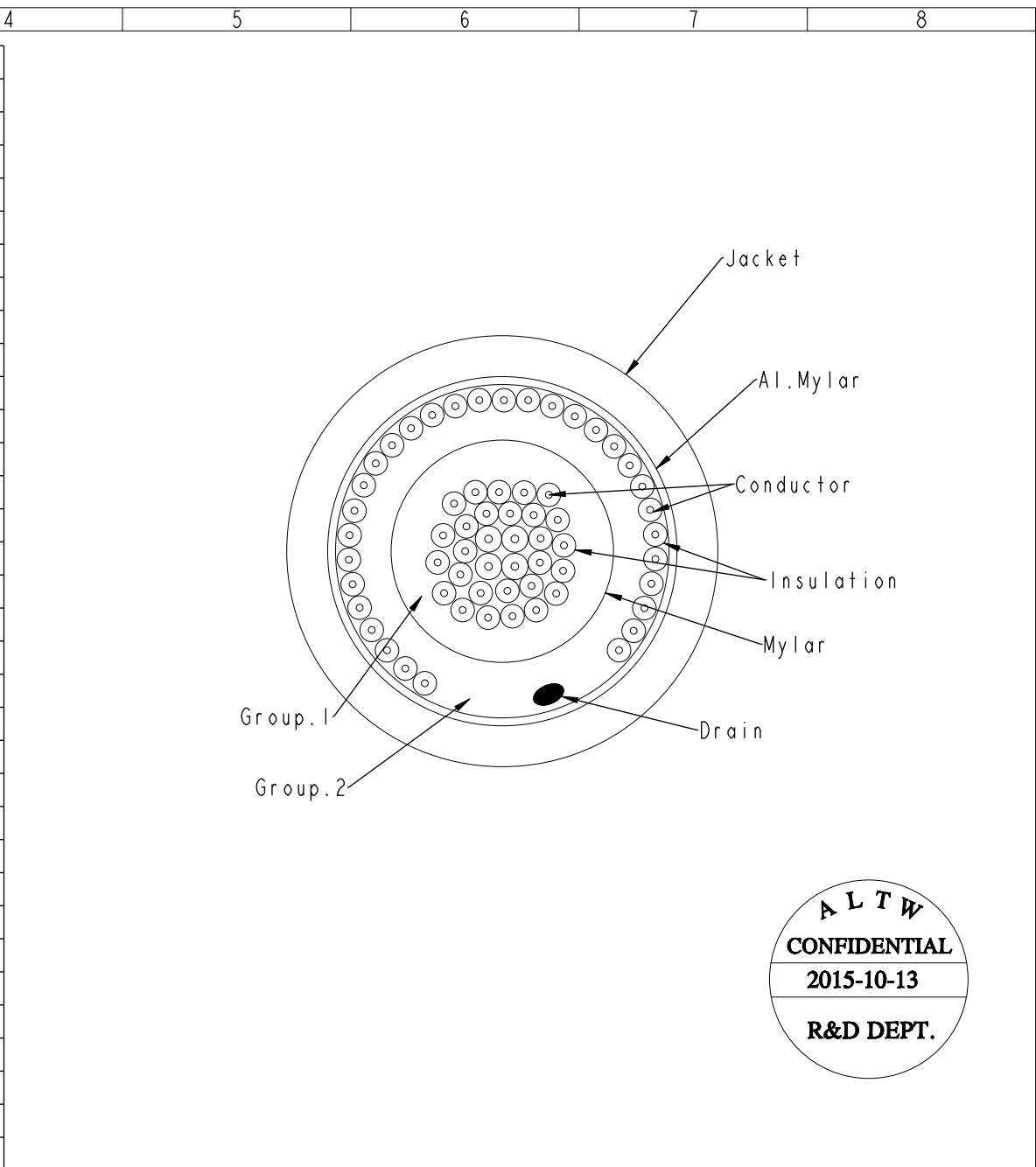
HDB-62AMMM-SL7AXX
 XX : 01~99Meters
 01 : 01Meters
 02 : 02Meters
 ...
 99 : 99Meters
 Cable Length(L): 01~99Meters

- Note:
- * Ⓞ Important Dimension To Check.
 - * Waterproof Rate: IP67
 - * Housing: ABS, Black
 - * Conn.: D-Sub 62 Pin, Male
 - * Gasket: EPDM, Black
 - * Screw: Big EPC
 - △ * Cable: UL2464 (3IC*26#+MY)+3IC*26#+AL/MY+D, PVC Jacket(UV Resistant), OD=13.0, Black
 - * Cable Length Tolerance: 1M~10M±5%mm, 11M~99M±500mm.

A	UNIT: mm		TITLE △ HD SUB 62P M CONN CABLE SCREW HD62P M CONN M PIN			ITEM NO	DRAWN BY	DATE
	TOLERANCE		SCALE 7:10	SIZE A4	SHEET 1 OF 2	DWG NO	CHECKED BY	DATE
	±0.5 mm		REV. E	WC-REV. A.1	Ⓞ: Inspection item	CUSTOMER	APPROVED BY	DATE
			<h1>Amphenol LTW</h1> <p>安費諾亮泰企業股份有限公司</p>			ALTW	Neo	2019/04/03
						8 W10814-03-0001A2		

THIS DOCUMENT IS SUBJECT TO CHANGE WITHOUT NOTICE. IT IS CONFIDENTIAL AND A PROPERTY OF Amphenol LTW. DISCLOSURE TO THIRD PARTY HAS TO BE AUTHORIZED BY Amphenol LTW.

	1	2	3	4	5	6	7	8
		Shell	Drain	地線				
F	31	Light Blue/Red 亮藍/紅	62	Light Blue/Red 亮藍/紅				
	30	Light Blue/Black 亮藍/黑	61	Light Blue/Black 亮藍/黑				
	29	Light Blue 亮藍	60	Light Blue 亮藍				
E	28	Pink/Green 粉紅/綠	59	Pink/Green 粉紅/綠				
	27	Pink/Blue 粉紅/藍	58	Pink/Blue 粉紅/藍				
	26	Pink/Red 粉紅/紅	57	Pink/Red 粉紅/紅				
	25	Pink/Black 粉紅/黑	56	Pink/Black 粉紅/黑				
	24	Gray/Black 灰/黑	55	Gray/Black 灰/黑				
	23	Green/Black 綠/黑	54	Green/Black 綠/黑				
	22	Yellow/Black 黃/黑	53	Yellow/Black 黃/黑				
D	21	Orange/Black 橘/黑	52	Orange/Black 橘/黑				
	20	Red/Black 紅/黑	51	Red/Black 紅/黑				
	19	Purple/White 紫/白	50	Purple/White 紫/白				
	18	Blue/White 藍/白	49	Blue/White 藍/白				
	17	Green/White 綠/白	48	Green/White 綠/白				
	16	Orange/White 橘/白	47	Orange/White 橘/白				
	15	Red/White 紅/白	46	Red/White 紅/白				
C	14	Brown/White 棕/白	45	Brown/White 棕/白				
	13	Black/White 黑/白	44	Black/White 黑/白				
	12	Light Green 亮綠	43	Light Green 亮綠				
	11	Pink 粉紅	42	Pink 粉紅				
	10	White 白	41	White 白				
	9	Gray 灰	40	Gray 灰				
	8	Purple 紫	39	Purple 紫				
B	7	Blue 藍	38	Blue 藍				
	6	Green 綠	37	Green 綠				
	5	Yellow 黃	36	Yellow 黃				
	4	Orange 橘	35	Orange 橘				
	3	Red 紅	34	Red 紅				
	2	Brown 棕	33	Brown 棕				
	1	Black 黑	32	Black 黑				
A	Conn.	Wire Color	Conn.	Wire Color				
	Group1 Pin Out		Group2 Pin Out					
	UNIT:mm		TOLERANCE					



UNIT:mm		TOLERANCE		TITLE		SCALE		SIZE		SHEET	
±0.5 mm		HD SUB 62P M CONN CABLE SCREW HD62P M CONN M PIN		7:10		A4		2		OF 2	
REV. E		WC-REV. A.1		QC: Inspection item							

Amphenol LTW
安費諾亮泰企業股份有限公司

ITEM NO	DRAWN BY	DATE
DWG NO	CHECKED BY	DATE
CUSTOMER	APPROVED BY	DATE
ALTW	Siou	2019/04/03
	Eagle	2019/04/03
	Neo	2019/04/03