

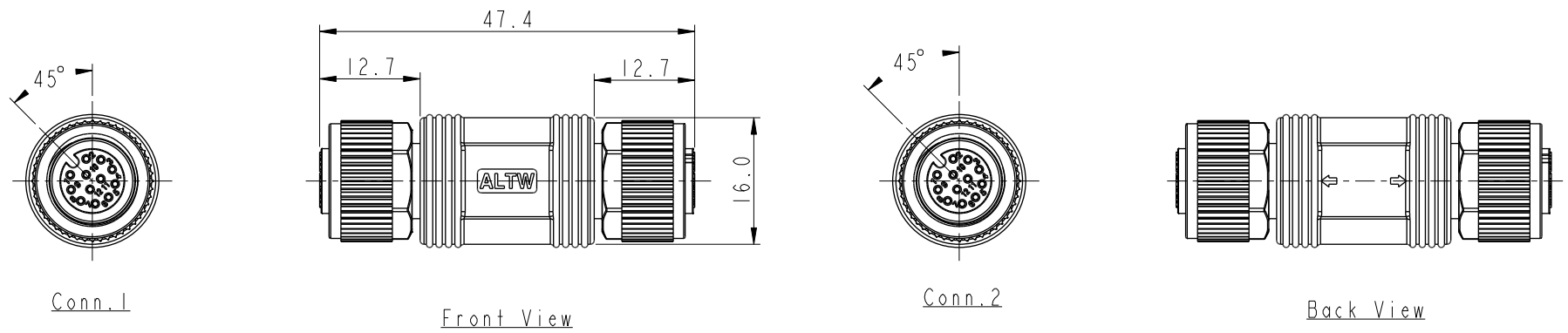
THIS DOCUMENT IS SUBJECT TO CHANGE WITHOUT NOTICE. IT IS CONFIDENTIAL AND A PROPERTY OF AMPHENOL LTW. DISCLOSURE TO THIRD PARTY HAS TO BE AUTHORIZED BY AMPHENOL LTW.

REV.	ECN NO.	DATE	SIGN	DESCRIPTION
A		2019/04/10	Bovan Lu	Initial Released
B	C230552	2023/05/09	Ruru	$\triangle B$ X8

$\triangle B$

IA-AXXF-AXXF-0000-01

XX: No. Of Pin



- $\triangle B$ Note:
- * RoHS Compliant
 - * $\text{\textcircled{C}}$ Important dimension
 - * Waterproof rate: IP68, mated 1m/24h
 - * Connector
 - Housing: Thermoplastic, Black
 - Pin: Copper alloy, Gold plated
 - O-Ring: Rubber, Green
 - Nut: Metal
 - * Outer Mold: Thermoplastic, Black
 - * Wire: UL1061, 26AWG

UNIT: mm			TITLE ACC, SEN, A Code, 1 ADA W/O CB FF
TOLERANCE $\pm 0.5\text{mm}$	SCALE 1:1	SIZE A4	SHEET 1 OF 2
	REV. B	WC-REV. .0	$\text{\textcircled{C}}$: Inspection item

Amphenol LTW
安費諾亮泰企業股份有限公司

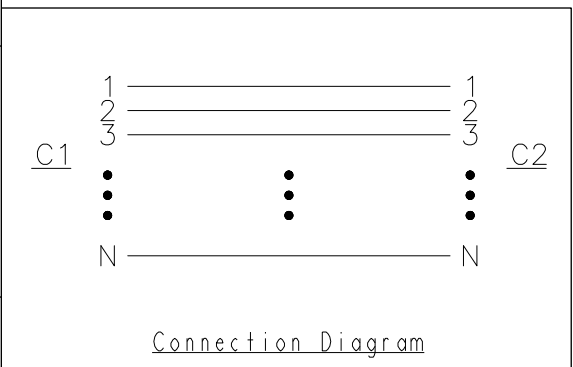
ITEM NO.	DRAWN BY Bovan Lu	DATE 2019-04-10
DWG NO. $\triangle B$ IA-AXXF-AXXF-0000-01	CHECKED BY Neo Tsai	DATE 2019-04-10
CUSTOMER ALTW	APPROVED BY Max Yang	DATE 2019-04-10

THIS DOCUMENT IS SUBJECT TO CHANGE WITHOUT NOTICE. IT IS CONFIDENTIAL AND A PROPERTY OF Amphenol LTW. DISCLOSURE TO THIRD PARTY HAS TO BE AUTHORIZED BY Amphenol LTW.



	A-code						
	3 Pin	4 Pin	5 Pin	6 Pin	8 Pin	10 Pin	12 Pin
Conn.							
Pin Out	Pin1 Black Pin3 White Pin4 Blue	Pin1 Black Pin2 White Pin3 Blue Pin4 Green	Pin1 Black Pin2 White Pin3 Blue Pin4 Green Pin5 Red	Pin1 Black Pin2 White Pin3 Blue Pin4 Green Pin6 Red Pin7 Gray	Pin1 Black Pin2 White Pin3 Blue Pin4 Green Pin5 Red Pin6 Gray Pin7 Yellow Pin8 Orange	Pin1 Black Pin2 White Pin3 Blue Pin4 Green Pin5 Red Pin6 Gray Pin7 Yellow Pin8 Orange Pin9 Brown Pin10 Purple	Pin1 Black Pin2 White Pin3 Blue Pin4 Green Pin5 Red Pin6 Gray Pin7 Yellow Pin8 Orange Pin9 Brown Pin10 Purple Pin11 White/Red Pin12 Pink

Pin Assignments Front View



Connection Diagram

UNIT:mm TOLERANCE			TITLE ACC, SEN, A Code, 1 ADA W/O CB FF		ITEM NO DWG NO: A-AXXF-AXXF-0000-01 CUSTOMER: ALTW		DRAWN BY: Bovan Lu CHECKED BY: Neo Tsai APPROVED BY: Max Yang		DATE: 2019-04-10 DATE: 2019-04-10 DATE: 2019-04-10		
	SCALE: 1:1		SIZE: A4	SHEET: 2 OF 2		Amphenol LTW 安費諾亮泰企業股份有限公司		APPROVED BY: Max Yang		DATE: 2019-04-10	
	REV: B		WC-REV: .0	: Inspection item							