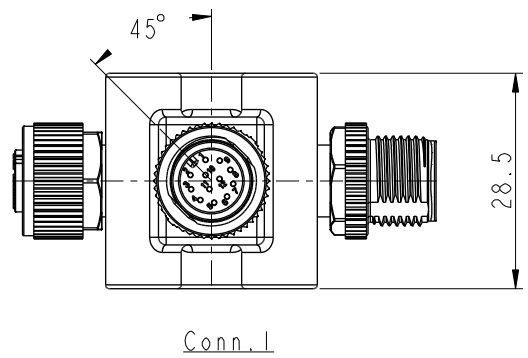
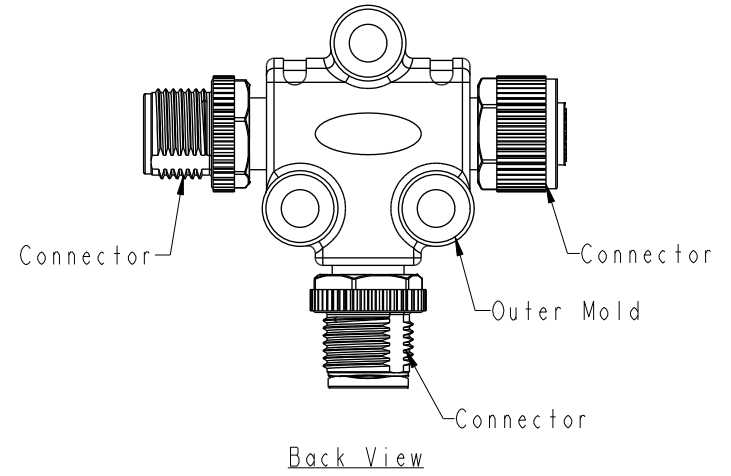
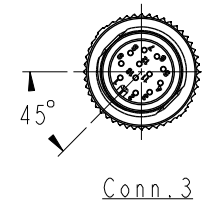
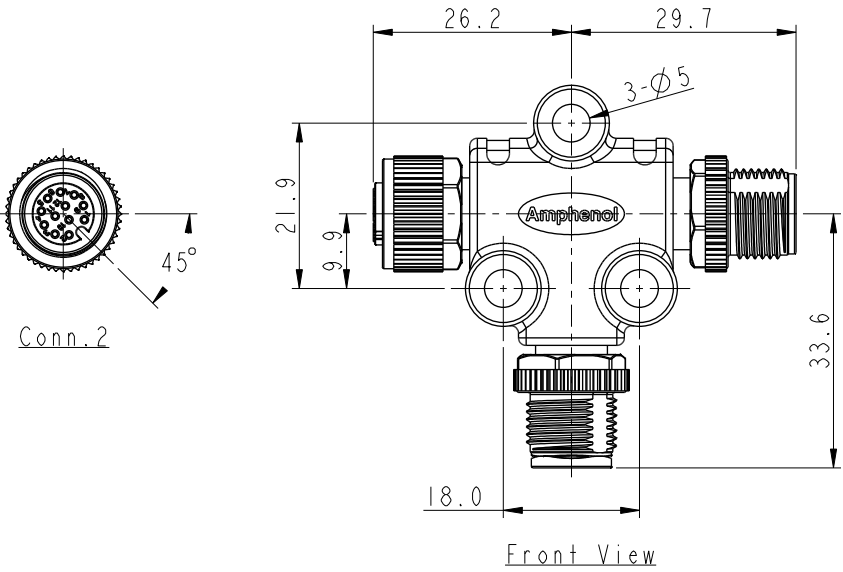


| REV. | ECN NO. | DATE       | SIGN     | DESCRIPTION      |
|------|---------|------------|----------|------------------|
| A    |         | 2019/04/10 | Bovan Lu | Initial Released |
| B    | C230552 | 2023/05/08 | Ruru     | $\triangle B$ X8 |

$\triangle B$   
TA-AXXM-AXXF-AXXM-01  
XX: No. Of Pin



- $\triangle B$ Note:
- \* RoHS Compliant
  - \*  $\text{CC}$  Important dimension
  - \* Waterproof rate: IP68, mated 1m/24h
  - \* C1 & C3  
Housing: Thermoplastic, Black  
Pin: Copper alloy, Gold plated  
Nut: Metal
  - \* C2  
Housing: Thermoplastic, Black  
Pin: Copper alloy, Gold plated  
O-Ring: Rubber, Green  
Nut: Metal
  - \* Outer Mold: Thermoplastic, Black
  - \* Wire: UL1061 26AWG

|                                 |               |                               |  |
|---------------------------------|---------------|-------------------------------|--|
| UNIT: mm                        |               |                               | TITLE<br>ACC, SEN, A Code, T ADA W/O CB<br>MFM |
| TOLERANCE<br>$\pm 0.5\text{mm}$ | SCALE<br>1:1  | SIZE<br>A4                    | SHEET<br>1 OF 2                                |
| REV.<br>B                       | WC-REV.<br>.0 | $\text{CC}$ : Inspection item | $\triangle B$                                  |

**Amphenol LTW**  
安費諾亮泰企業股份有限公司

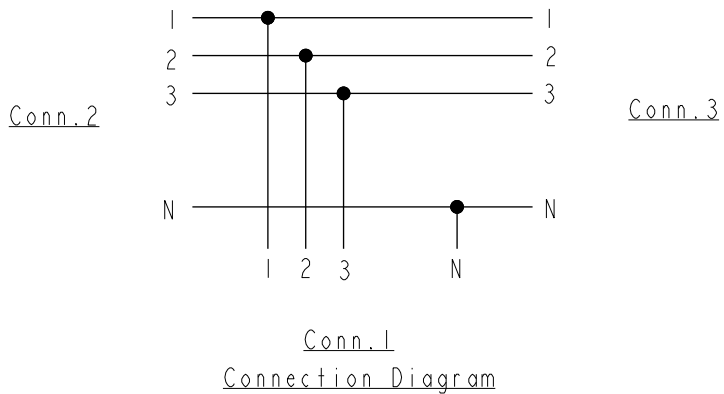
|   |                         |                    |
|---|-------------------------|--------------------|
| ITEM NO.                                      | DRAWN BY<br>Bovan Lu    | DATE<br>2019-04-10 |
| DWG NO.<br>$\triangle B$ TA-AXXM-AXXF-AXXM-01 | CHECKED BY<br>Neo Tsai  | DATE<br>2019-04-10 |
| CUSTOMER<br>ALTW                              | APPROVED BY<br>Max Yang | DATE<br>2019-04-10 |

THIS DOCUMENT IS SUBJECT TO CHANGE WITHOUT NOTICE. IT IS CONFIDENTIAL AND A PROPERTY OF Amphenol LTW. DISCLOSURE TO THIRD PARTY HAS TO BE AUTHORIZED BY Amphenol LTW.

THIS DOCUMENT IS SUBJECT TO CHANGE WITHOUT NOTICE. IT IS CONFIDENTIAL AND A PROPERTY OF Amphenol LTW. DISCLOSURE TO THIRD PARTY HAS TO BE AUTHORIZED BY Amphenol LTW.

|         | A-code  |   |   |  |  |  |   |
|---------|---|---|---|--|--|--|---|
|         | 3 Pin   | 4 Pin   | 5 Pin   | 6 Pin  | 8 Pin  | 10 Pin   | 12 Pin  |
| Male    |   |   |   |  |  |  |   |
| Female  |   |   |   |  |  |  |   |
| Pin Out | Pin# Color<br>Pin1 Black<br>Pin3 White<br>Pin4 Blue | Pin# Color<br>Pin1 Black<br>Pin2 White<br>Pin3 Blue<br>Pin4 Green | Pin# Color<br>Pin1 Black<br>Pin2 White<br>Pin3 Blue<br>Pin4 Green<br>Pin5 Red | Pin# Color<br>Pin1 Black<br>Pin2 White<br>Pin3 Blue<br>Pin4 Green<br>Pin6 Red<br>Pin7 Gray | Pin# Color<br>Pin1 Black<br>Pin2 White<br>Pin3 Blue<br>Pin4 Green<br>Pin5 Red<br>Pin6 Gray<br>Pin7 Yellow<br>Pin8 Orange | Pin# Color<br>Pin1 Black<br>Pin2 White<br>Pin3 Blue<br>Pin4 Green<br>Pin5 Red<br>Pin6 Gray<br>Pin7 Yellow<br>Pin8 Orange<br>Pin9 Brown<br>Pin10 Purple | Pin# Color<br>Pin1 Black<br>Pin2 White<br>Pin3 Blue<br>Pin4 Green<br>Pin5 Red<br>Pin6 Gray<br>Pin7 Yellow<br>Pin8 Orange<br>Pin9 Brown<br>Pin10 Purple<br>Pin11 White/Red<br>Pin12 Pink |

Pin Assignments Front View



|           |              |  |                 |
|-----------|--------------|--|-----------------|
| UNIT:mm   |              | TITLE<br>ACC, SEN, A Code, T ADA W/O CB<br>MFM |                 |
| TOLERANCE | SCALE<br>1:1 | SIZE<br>A4                                     | SHEET<br>2 OF 2 |
|           | REV.<br>B    | WC-REV.<br>.0                                  | Inspection item |

**Amphenol LTW**  
安費諾亮泰企業股份有限公司

|                                 |                         |                    |
|---------------------------------|-------------------------|--------------------|
| ITEM NO                         | DRAWN BY<br>Bovan Lu    | DATE<br>2019-04-10 |
| DWG NO<br>ATA-AXXM-AXXF-AXXM-01 | CHECKED BY<br>Neo Tsai  | DATE<br>2019-04-10 |
| CUSTOMER<br>ALTW                | APPROVED BY<br>Max Yang | DATE<br>2019-04-10 |