

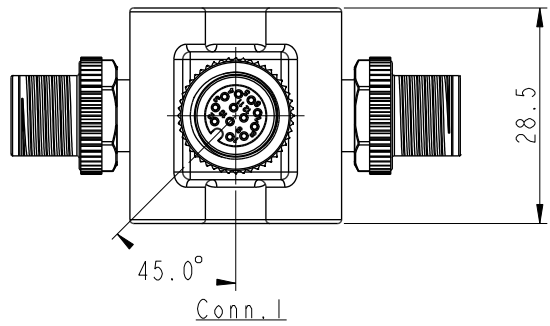
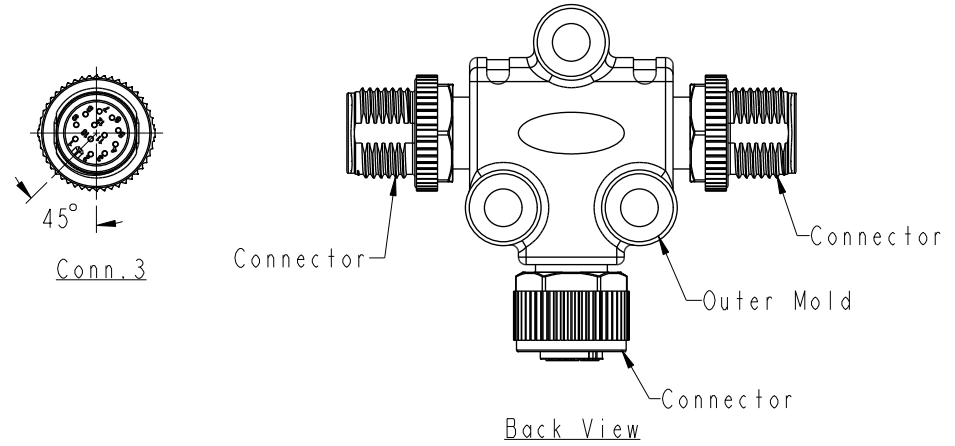
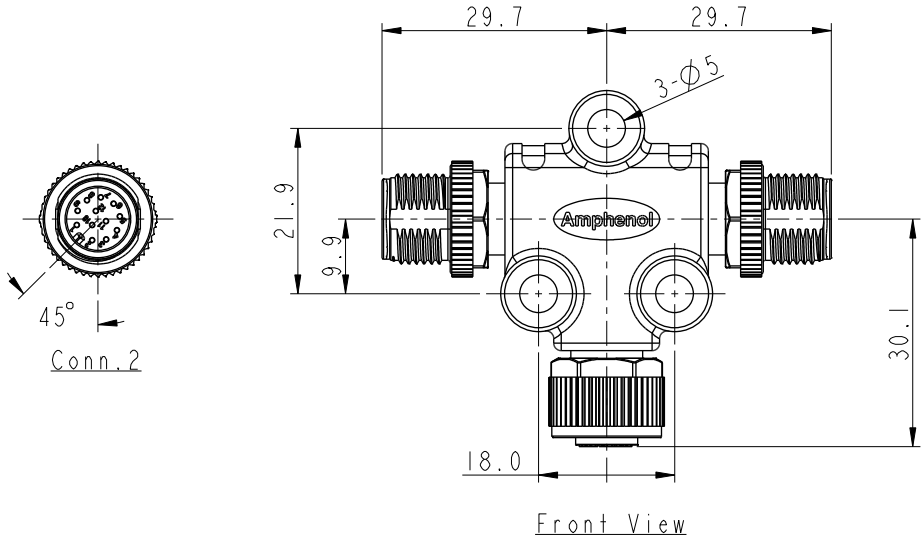
THIS DOCUMENT IS SUBJECT TO CHANGE WITHOUT NOTICE. IT IS CONFIDENTIAL AND A PROPERTY OF Amphenol LTW. DISCLOSURE TO THIRD PARTY HAS TO BE AUTHORIZED BY Amphenol LTW.

REV.	ECN NO.	DATE	SIGN	DESCRIPTION
A		2019/04/10	Bovan Lu	Initial Released
B	C230552	2023/05/05	Ruru	$\triangle B$ X8

$\triangle B$

TA-AXXF-AXXM-AXXM-01

XX: No. Of Pin



- $\triangle B$ Note:
- \* RoHS Compliant
  - \*  $\text{CC}$  Important dimension
  - \* Waterproof rate: IP68, mated 1m/24h
  - \* C1  
Housing: Thermoplastic, Black  
Pin: Copper alloy, Gold plated  
O-Ring: Rubber, Green  
Nut: Metal
  - \* C2 & C3  
Housing: Thermoplastic, Black  
Pin: Copper alloy, Gold plated  
Nut: Metal
  - \* Outer Mold: Thermoplastic, Black
  - \* Wire: UL1061 26AWG

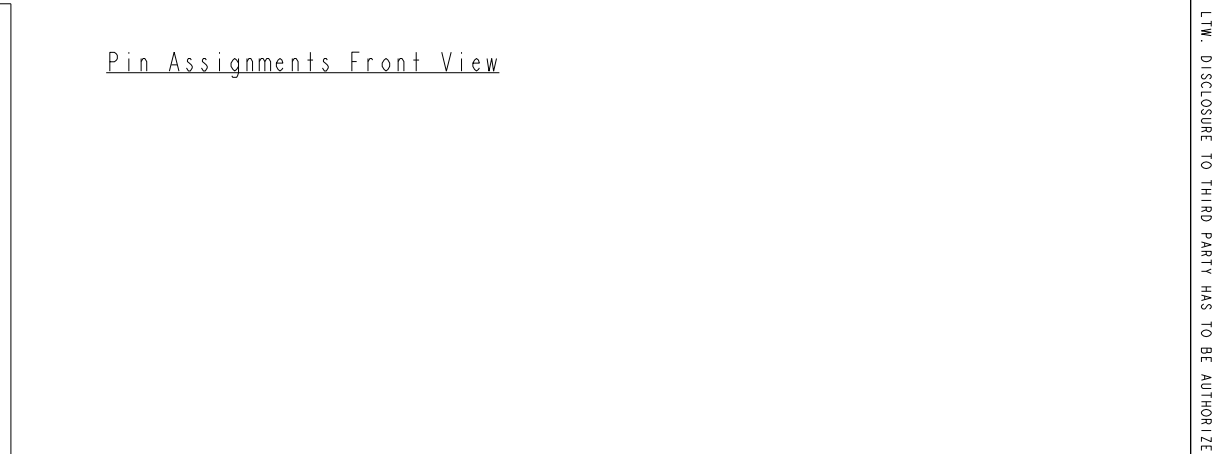
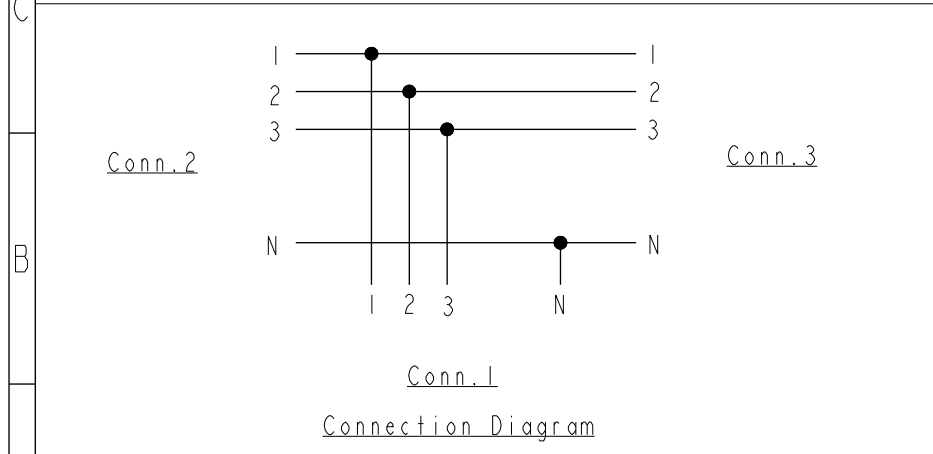
UNIT: mm	$\text{CC}$	TITLE ACC, SEN, A Code, T ADA W/O CB FMM	
TOLERANCE	$\pm 0.5\text{mm}$	SCALE 1:1	SIZE A4
		REV. B	WC-REV. .0
		SHEET 1	OF 2
		$\text{CC}$ : Inspection item	

**Amphenol LTW**  
安費諾亮泰企業股份有限公司

ITEM NO.	DRAWN BY Bovan Lu	DATE 2019-04-10
DWG NO. $\triangle B$ TA-AXXF-AXXM-AXXM-01	CHECKED BY Neo Tsai	DATE 2019-04-10
CUSTOMER ALTW	APPROVED BY Max Yang	DATE 2019-04-10

THIS DOCUMENT IS SUBJECT TO CHANGE WITHOUT NOTICE. IT IS CONFIDENTIAL AND A PROPERTY OF Amphenol LTW. DISCLOSURE TO THIRD PARTY HAS TO BE AUTHORIZED BY Amphenol LTW.

		A-code							
		3 Pin	4 Pin	5 Pin	6 Pin	8 Pin	10 Pin	12 Pin	
F	△B	Male							
		Female							
		Pin# Color	Pin# Color	Pin# Color	Pin# Color	Pin# Color	Pin# Color	Pin# Color	
D		Pin1 Black Pin3 White Pin4 Blue	Pin1 Black Pin2 White Pin3 Blue Pin4 Green	Pin1 Black Pin2 White Pin3 Blue Pin4 Green Pin5 Red	Pin1 Black Pin2 White Pin3 Blue Pin4 Green Pin6 Red Pin7 Gray	Pin1 Black Pin2 White Pin3 Blue Pin4 Green Pin5 Red Pin6 Gray Pin7 Yellow Pin8 Orange	Pin1 Black Pin2 White Pin3 Blue Pin4 Green Pin5 Red Pin6 Gray Pin7 Yellow Pin8 Orange Pin9 Brown Pin10 Purple	Pin1 Black Pin2 White Pin3 Blue Pin4 Green Pin5 Red Pin6 Gray Pin7 Yellow Pin8 Orange Pin9 Brown Pin10 Purple Pin11 White/Red Pin12 Pink	



A	UNIT:mm		TITLE ACC, SEN, A Code, T ADA W/O CB FMM		ITEM NO	DRAWN BY	DATE	
	TOLERANCE		SCALE 1:1	SIZE A4	SHEET 2 OF 2	DWG NO △B TA-AXXF-AXXM-AXXM-01	CHECKED BY	DATE
			REV. B	WC-REV. .0	QC: Inspection item	CUSTOMER ALTW	APPROVED BY	DATE

# Amphenol LTW

安費諾亮泰企業股份有限公司

DATE	2019-04-10
DATE	2019-04-10
DATE	2019-04-10