

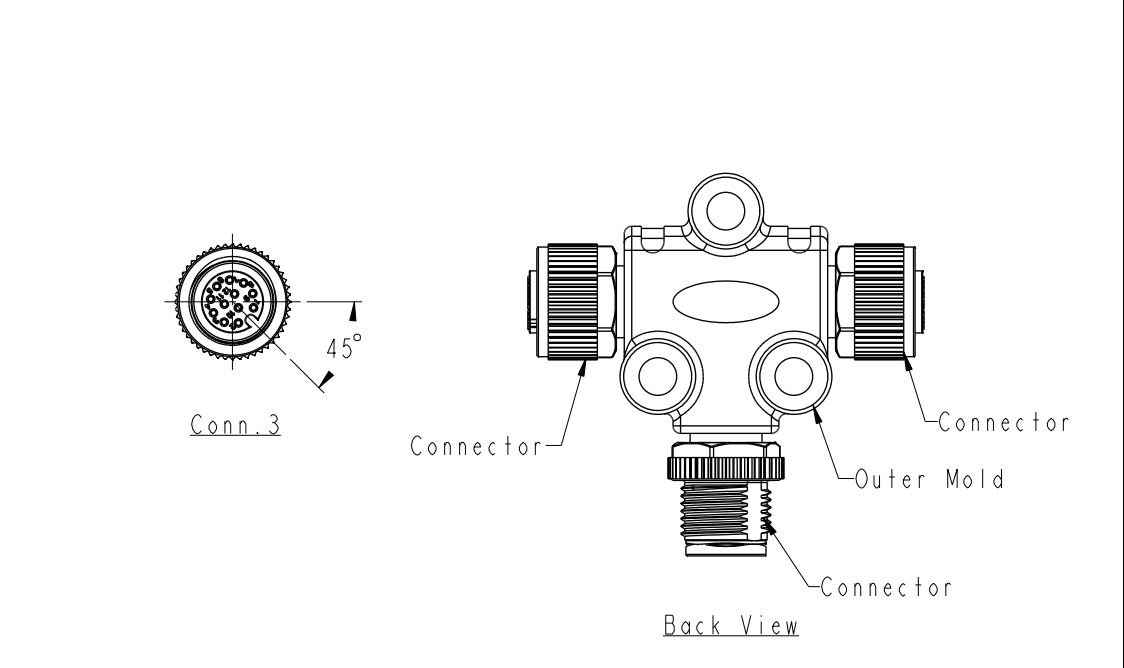
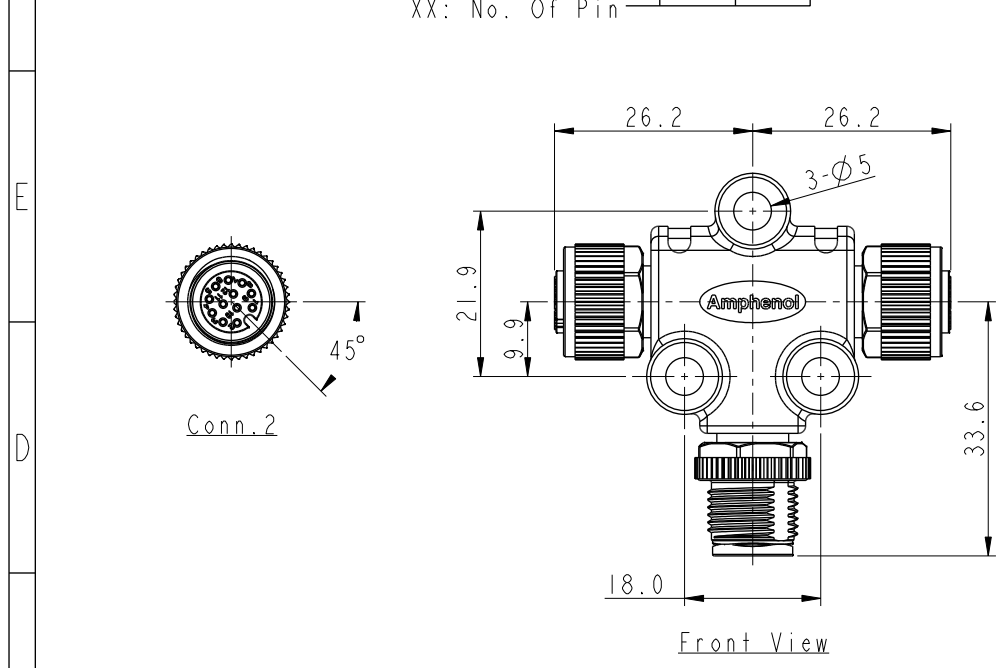
THIS DOCUMENT IS SUBJECT TO CHANGE WITHOUT NOTICE. IT IS CONFIDENTIAL AND A PROPERTY OF Amphenol LTW. DISCLOSURE TO THIRD PARTY HAS TO BE AUTHORIZED BY Amphenol LTW.

REV.	ECN NO.	DATE	SIGN	DESCRIPTION
A		2019/04/10	Bovan Lu	Initial Released
B	C230552	2023/05/08	Ruru	$\triangle B$ X8

$\triangle B$

TA-AXXM-AXXF-AXXF-01

XX: No. Of Pin



- $\triangle B$ Note:
- \* RoHS Compliant
  - \*  $\text{\textcircled{C}}$  Important dimension
  - \* Waterproof rate: IP68, mated 1m/24h
  - \* C1  
Housing: Thermoplastic, Black  
Pin: Copper alloy, Gold plated  
Nut: Metal
  - \* C2 & C3  
Housing: Thermoplastic, Black  
Pin: Copper alloy, Gold plated  
O-Ring: Rubber, Green  
Nut: Metal
  - \* Outer Mold: Thermoplastic, Black
  - \* Wire: UL1061 26AWG

UNIT: mm	$\text{\textcircled{C}}$	$\text{\textcircled{C}}$	TITLE ACC, SEN, A Code, T ADA W/O CB MFF
TOLERANCE $\pm 0.5\text{mm}$	SCALE 1:1	SIZE A4	SHEET 1 OF 2
REV. B	WC-REV. .0	$\text{\textcircled{C}}$ : Inspection item	

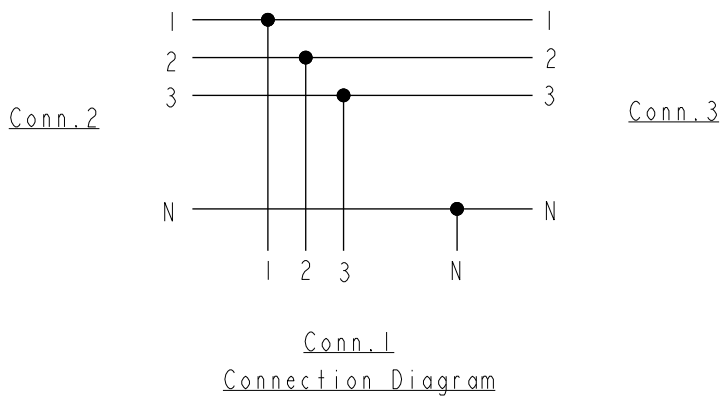
**Amphenol LTW**  
安費諾亮泰企業股份有限公司

ITEM NO.	DRAWN BY Bovan Lu	DATE 2019-04-10
DWG NO. $\triangle B$ TA-AXXM-AXXF-AXXF-01	CHECKED BY Neo Tsai	DATE 2019-04-10
CUSTOMER ALTW	APPROVED BY Max Yang	DATE 2019-04-10

THIS DOCUMENT IS SUBJECT TO CHANGE WITHOUT NOTICE. IT IS CONFIDENTIAL AND A PROPERTY OF Amphenol LTW. DISCLOSURE TO THIRD PARTY HAS TO BE AUTHORIZED BY Amphenol LTW.

	A-code						
	3 Pin	4 Pin	5 Pin	6 Pin	8 Pin	10 Pin	12 Pin
Male							
Female							
Pin Out	Pin# Color Pin1 Black Pin3 White Pin4 Blue	Pin# Color Pin1 Black Pin2 White Pin3 Blue Pin4 Green	Pin# Color Pin1 Black Pin2 White Pin3 Blue Pin4 Green Pin5 Red	Pin# Color Pin1 Black Pin2 White Pin3 Blue Pin4 Green Pin6 Red Pin7 Gray	Pin# Color Pin1 Black Pin2 White Pin3 Blue Pin4 Green Pin5 Red Pin6 Gray Pin7 Yellow Pin8 Orange	Pin# Color Pin1 Black Pin2 White Pin3 Blue Pin4 Green Pin5 Red Pin6 Gray Pin7 Yellow Pin8 Orange Pin9 Brown Pin10 Purple	Pin# Color Pin1 Black Pin2 White Pin3 Blue Pin4 Green Pin5 Red Pin6 Gray Pin7 Yellow Pin8 Orange Pin9 Brown Pin10 Purple Pin11 White/Red Pin12 Pink

Pin Assignments Front View



UNIT:mm		TITLE ACC, SEN, A Code, T ADA W/O CB MFF		
TOLERANCE		SCALE 1:1	SIZE A4	SHEET 2 OF 2
		REV. B	WC-REV. .0	QC: Inspection item

**Amphenol LTW**  
安費諾亮泰企業股份有限公司

ITEM NO	DRAWN BY Bovan Lu	DATE 2019-04-10
DWG NO ATA-AXXM-AXXF-AXXF-01	CHECKED BY Neo Tsai	DATE 2019-04-10
CUSTOMER ALTW	APPROVED BY Max Yang	DATE 2019-04-10