

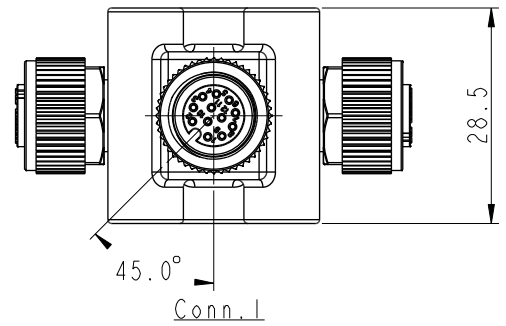
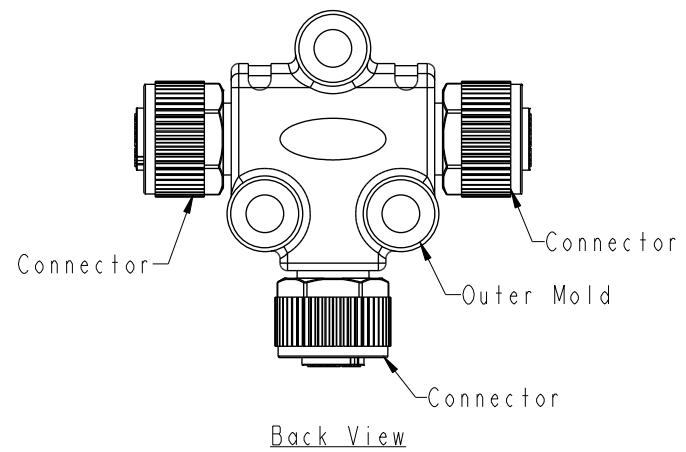
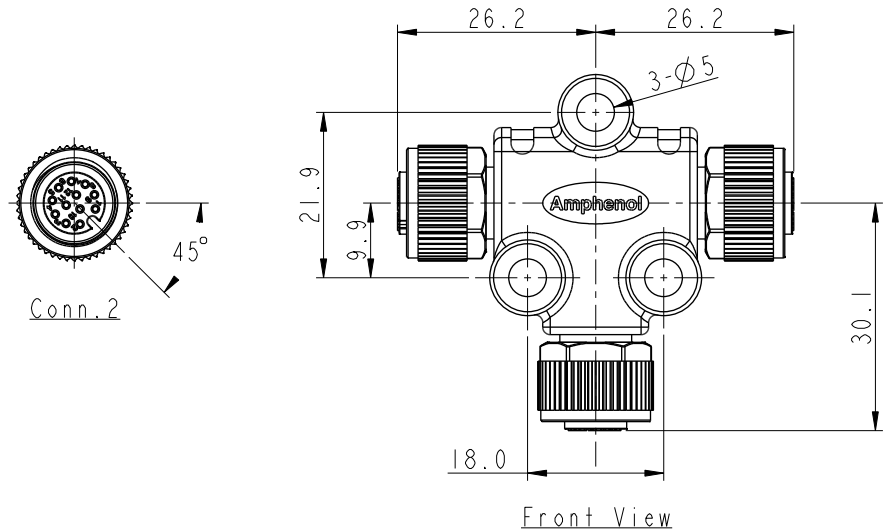
THIS DOCUMENT IS SUBJECT TO CHANGE WITHOUT NOTICE. IT IS CONFIDENTIAL AND A PROPERTY OF Amphenol LTW. DISCLOSURE TO THIRD PARTY HAS TO BE AUTHORIZED BY Amphenol LTW.

REV.	ECN NO.	DATE	SIGN	DESCRIPTION
A		2019/04/10	Bovan Lu	Initial Released
B	C230552	2023/05/05	Ruru	$\triangle B$ X8

$\triangle B$

TA-AXXF-AXXF-AXXF-01

XX: No. Of Pin



- $\triangle B$ Note:
- * RoHS Compliant
 - * $\text{\textcircled{C}}$ Important dimension
 - * Waterproof rate: IP68, mated 1m/24h
 - * Connector
 - Housing: Thermoplastic, Black
 - Pin: Copper alloy, Gold plated
 - O-Ring: Rubber, Green
 - Nut: Metal
 - * Outer Mold: Thermoplastic, Black
 - * Wire: UL1061 26AWG

UNIT: mm	$\text{\textcircled{C}}$	$\text{\textcircled{C}}$	TITLE ACC, SEN, A Code, T ADA W/O CB FFF
TOLERANCE $\pm 0.5\text{mm}$	SCALE 1:1	SIZE A4	SHEET 1 OF 2
	REV. B	WC-REV. .0	$\text{\textcircled{C}}$: Inspection item

Amphenol LTW
安費諾亮泰企業股份有限公司

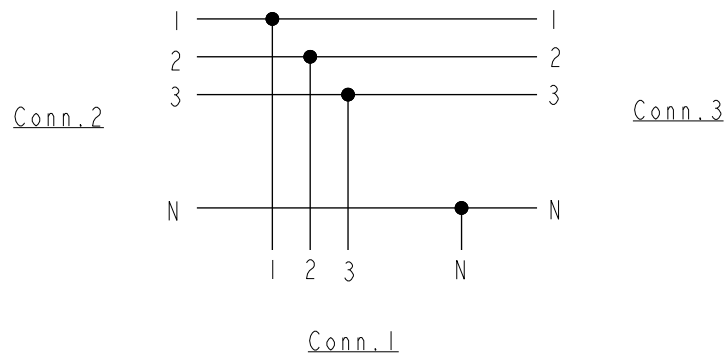
ITEM NO.	DRAWN BY Bovan Lu	DATE 2019-04-10
DWG NO. $\triangle B$ TA-AXXF-AXXF-AXXF-01	CHECKED BY Neo Tsai	DATE 2019-04-10
CUSTOMER ALTW	APPROVED BY Max Yang	DATE 2019-04-10

THIS DOCUMENT IS SUBJECT TO CHANGE WITHOUT NOTICE. IT IS CONFIDENTIAL AND A PROPERTY OF Amphenol LTW. DISCLOSURE TO THIRD PARTY HAS TO BE AUTHORIZED BY Amphenol LTW.



	A-code													
	3 Pin		4 Pin		5 Pin		6 Pin		8 Pin		10 Pin		12 Pin	
Conn.														
Pin Out	Pin#	Color	Pin#	Color	Pin#	Color	Pin#	Color	Pin#	Color	Pin#	Color	Pin#	Color
	Pin1	Black	Pin1	Black	Pin1	Black	Pin1	Black	Pin1	Black	Pin1	Black	Pin1	Black
	Pin3	White	Pin2	White	Pin2	White	Pin2	White	Pin2	White	Pin2	White	Pin2	White
	Pin4	Blue	Pin3	Blue	Pin3	Blue	Pin3	Blue	Pin3	Blue	Pin3	Blue	Pin3	Blue
			Pin4	Green	Pin4	Green	Pin4	Green	Pin4	Green	Pin4	Green	Pin4	Green
					Pin5	Red			Pin5	Red	Pin5	Red	Pin5	Red
							Pin6	Red	Pin6	Gray	Pin6	Gray	Pin6	Gray
							Pin7	Gray	Pin7	Yellow	Pin7	Yellow	Pin7	Yellow
									Pin8	Orange	Pin8	Orange	Pin8	Orange
									Pin9	Brown	Pin9	Brown	Pin9	Brown
									Pin10	Purple	Pin10	Purple	Pin10	Purple
											Pin11	White/Red	Pin11	White/Red
											Pin12	Pink	Pin12	Pink

Pin Assignments Front View



Connection Diagram

UNIT:mm		TITLE ACC, SEN, A Code, T ADA W/O CB FFF	
TOLERANCE		SCALE 1:1	SIZE A4
		REV. B	WC-REV. .0
		SHEET 2 OF 2	
		QC: Inspection item	

Amphenol LTW
安費諾亮泰企業股份有限公司

ITEM NO	DRAWN BY Bovan Lu	DATE 2019-04-10
DWG NO TA-AXXF-AXXF-AXXF-01	CHECKED BY Neo Tsai	DATE 2019-04-10
CUSTOMER ALTW	APPROVED BY Max Yang	DATE 2019-04-10