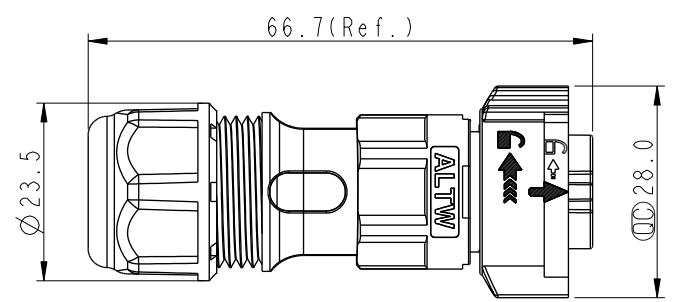
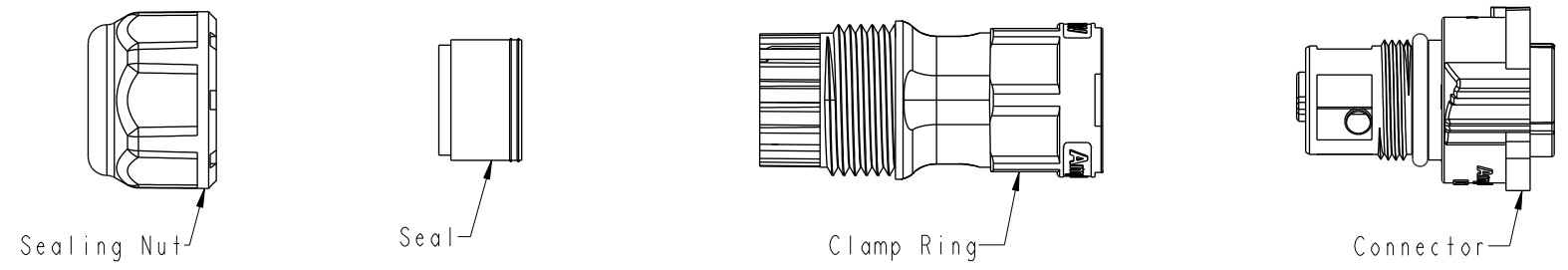


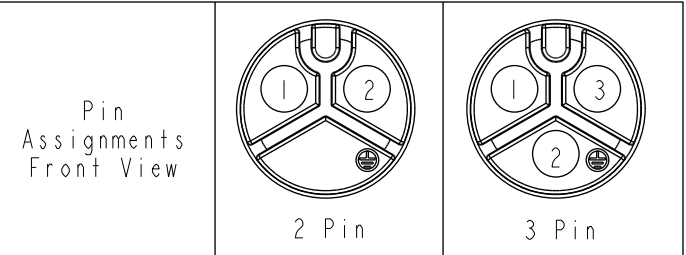
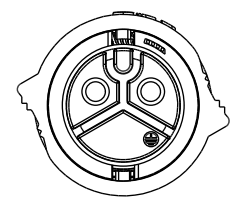
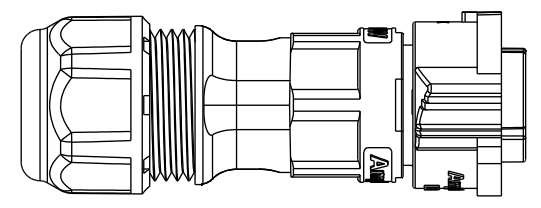
THIS DOCUMENT IS SUBJECT TO CHANGE WITHOUT NOTICE. IT IS CONFIDENTIAL AND A PROPERTY OF AMPHENOL LTW. DISCLOSURE TO THIRD PARTY HAS TO BE AUTHORIZED BY AMPHENOL LTW.

REV.	ECN NO.	DATE	SIGN	DESCRIPTION
B	C220240	2022/02/18	Xiaofeng	\triangle_B X2
C	C230087	2023/01/31	Vicky	\triangle_C X5
D	C230673	2023/05/23	Vicky	\triangle_D X2



CC-XXBFFB-QL8XPA
 XX: No. Of Pin

- S: With Red Color Seal 1, Cable OD 6.0~8.0mm.
- M: With Yellow Color Seal 2, Cable OD 8.0~10.0mm.
- L: With Blue Color Seal 3, Cable OD 10.0~12.0mm.
- A: With Seal 1 & Seal 2 & Seal 3.



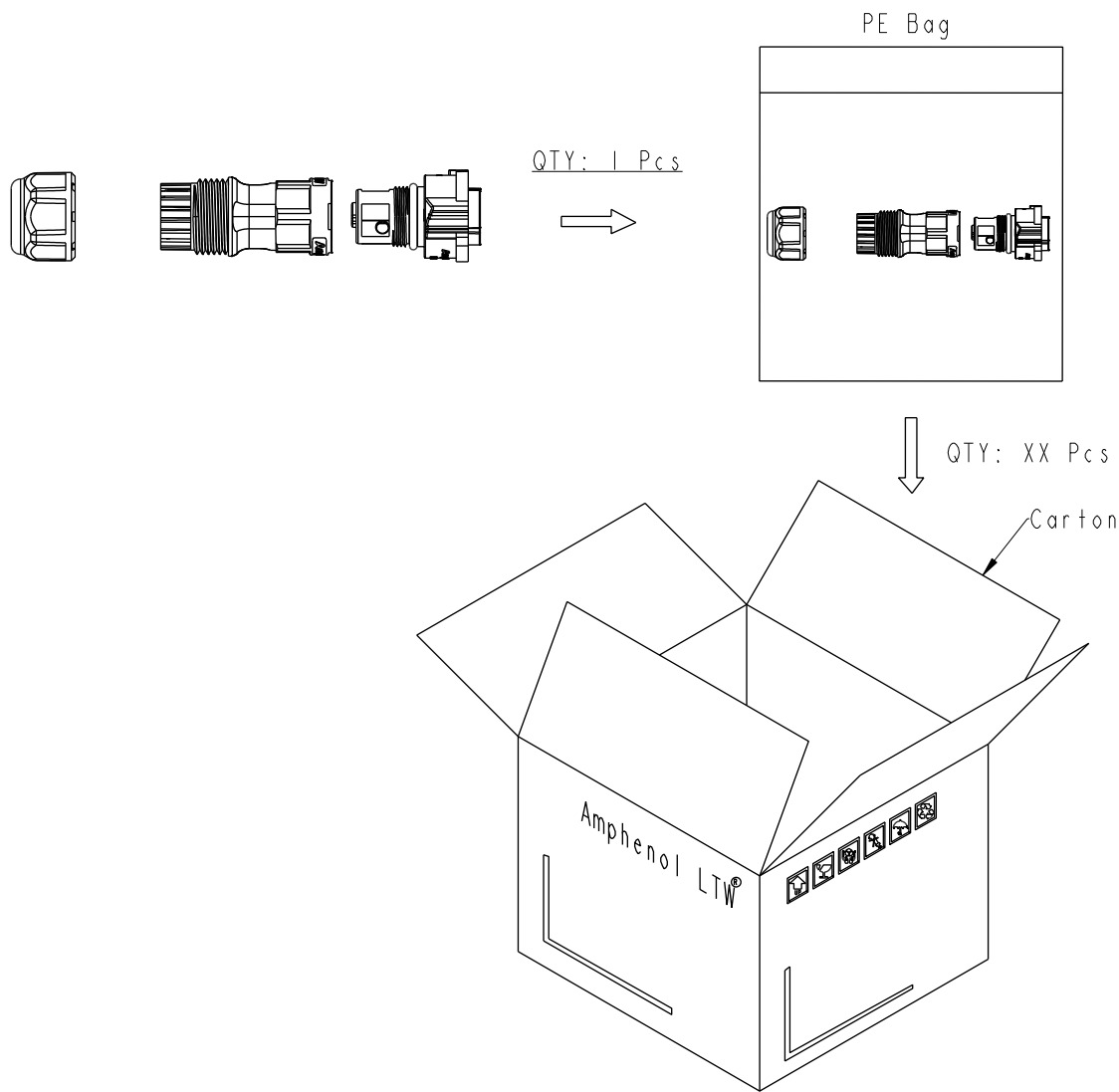
- Note:
- * RoHS Compliant
 - * ϕ Important Dimension
 - \triangle_C * Waterproof Rate: IP68, Mated 1m/24h.
 - * Connector Housing: Thermoplastic, Black
 - \triangle_B Pin: Copper Alloy, Silver Plated
 - Clamp Ring: Thermoplastic, Black
 - Sealing Nut: Thermoplastic, Black
 - Seals: Rubber

UNIT:mm	ϕ	∇	TITLE
TOLERANCE			XLOK, C-20A, CABLE W/O SR
± 0.5 mm			F, F, FI SCREW IN, PUSH LOCK (600V/10A; 300V/20A)
SCALE	SIZE	SHEET	OF
8:5	A4	1	2
REV.	WC-REV.	ϕ Inspection item	
D	A.3		

Amphenol LTW
 安費諾亮泰企業股份有限公司

ITEM NO	DRAWN BY	DATE
	Xiaofeng	2021/08/26
DWG NO	CHECKED BY	DATE
\triangle_C CC-XXBFFB-QL8XPA	Feng-Li	2021/08/26
CUSTOMER	APPROVED BY	DATE
ALTW	Jerry	2021/08/26

THIS DOCUMENT IS SUBJECT TO CHANGE WITHOUT NOTICE. IT IS CONFIDENTIAL AND A PROPERTY OF Amphenol LTW. DISCLOSURE TO THIRD PARTY HAS TO BE AUTHORIZED BY Amphenol LTW.



Note:
 * One Set Unassembled In One PE Bag.
 (每一組未組裝，放置於一個PE袋，並封口，如圖示)
 * Label is Attached To PE Bag Front.
 (標籤貼在PE袋正面)

UNIT:mm		
TOLERANCE ±0.5 mm		

TITLE XLOK, C-20A, CABLE W/O SR F, F, FI SCREW IN, PUSH LOCK(600V/10A:300V/20A)			
SCALE 8:5	SIZE A4	SHEET 2 OF 2	
REV. D	WC-REV. A.3	QC: Inspection item	

Amphenol LTW
 安費諾亮泰企業股份有限公司

ITEM NO	DRAWN BY Xiaofeng	DATE 2021/08/26
DWG NO CC-XXBFFB-QL8XPA	CHECKED BY Feng-Li	DATE 2021/08/26
CUSTOMER ALTW	APPROVED BY Jerry	DATE 2021/08/26