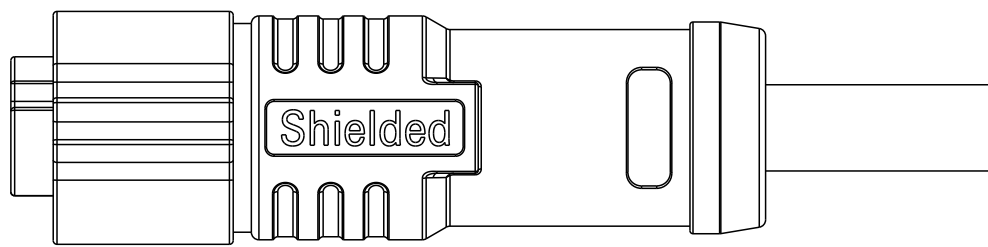
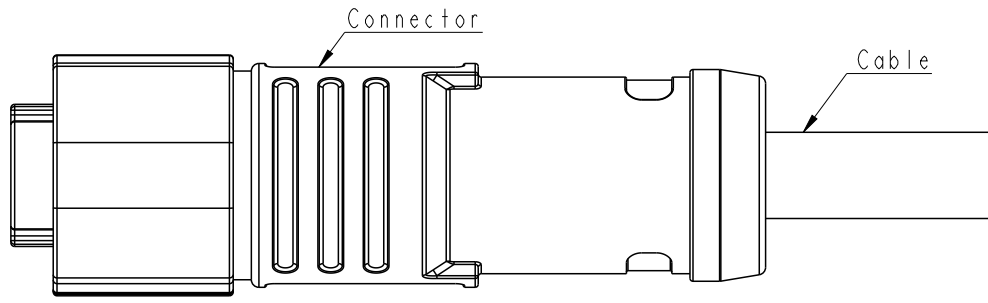
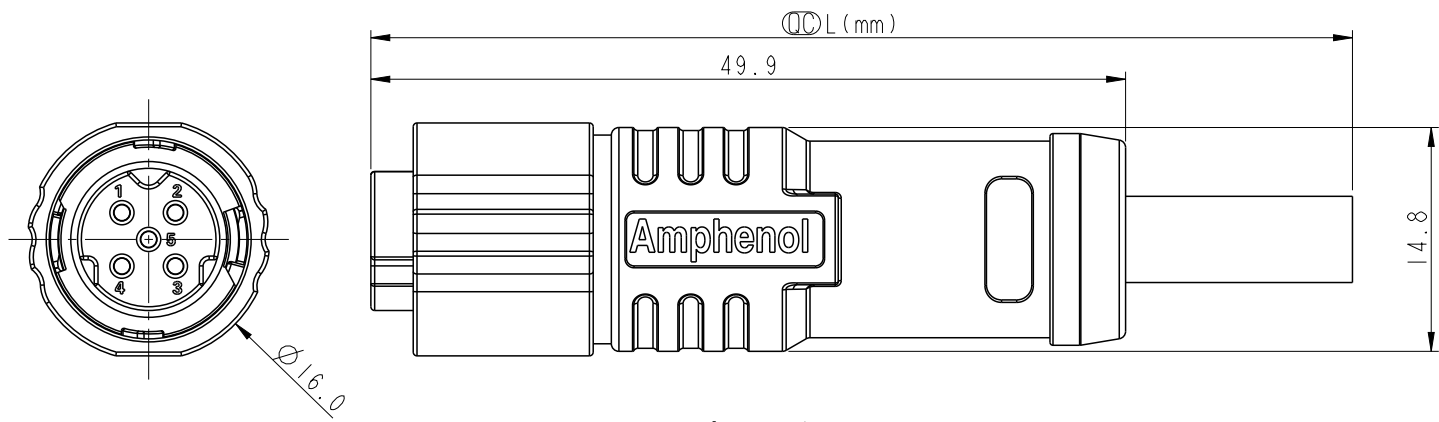


THIS DOCUMENT IS SUBJECT TO CHANGE WITHOUT NOTICE. IT IS CONFIDENTIAL AND A PROPERTY OF Amphenol LTW. DISCLOSURE TO THIRD PARTY HAS TO BE AUTHORIZED BY Amphenol LTW.

REV.	ECN NO.	DATE	SIGN	DESCRIPTION
B	C221610	2022/11/21	Allen Pan	$\triangle B$ x3
C	C230091	2023/02/02	Ruru	$\triangle C$ x1
D	C230626	2023/05/10	Matt	$\triangle D$ x3



Note:

- \* RoHS Compliant
- \*  $\text{⌀}$  Important dimension
- $\triangle C$ \* Waterproof rate: IP68, mated 1m/24h
- \* Connector  
 Housing: Thermoplastic, Black  
 Pin: Copper alloy, Gold plated  
 Shield: Metal  
 Nut: Metal  
 Outer mold: Thermoplastic, Black
- \* Cable: UL20549, PU Jacket, Black
- \* Cable length tolerance:  
 1M: +50/-0 mm  
 1M < L ≤ 3M: +100/-0 mm  
 3M < L ≤ 5M: +150/-0 mm  
 5M < L ≤ 10M: ±100 mm  
 10M < L ≤ 20M: ±200 mm  
 20M < L ≤ 30M: ±300 mm  
 30M < L ≤ 99M: ±500 mm

UNIT: mm	$\text{⌀}$	$\text{⌀}$
TOLERANCE	±0.50mm	

TITLE XLOK, A SHLD-5A, CABLE W/O SR F, F, MOLDING, PUSH LOCK $\triangle C$		
SCALE 2:1	SIZE A4	SHEET 1 OF 2 $\triangle D$
REV. D	WC-REV. 2	$\text{⌀}$ : Inspection item

**Amphenol LTW**  
安費諾亮泰企業股份有限公司

ITEM NO.	DRAWN BY Sam Ho	DATE 2023/11/12
DWG NO. ASD-XXBFFM-QL8BXX	CHECKED BY Fred Lee	DATE 2023/11/12
CUSTOMER ALTW	APPROVED BY Fred Lee	DATE 2023/11/12

THIS DOCUMENT IS SUBJECT TO CHANGE WITHOUT NOTICE. IT IS CONFIDENTIAL AND A PROPERTY OF Amphenol LTW. DISCLOSURE TO THIRD PARTY HAS TO BE AUTHORIZED BY Amphenol LTW.

5P	$\triangle B$ 5.7	$\triangle B$ 22	ASD-05BFFM-QL8BXX
3P	4.8	22	ASD-03BFFM-QL8BXX
Contacts	Cable OD	AWG	Item No.



ASD-XXBFFM-QL8BXX

XX: L=0~99Meters  
 01: L=1Meters  
 02: L=2Meters  
 ...  
 99: L=99Meters

XX: No. Of Pin

$\triangle B$		$\triangle D$	
Shield Braid	編織	Shield Braid	編織
5	Gray	4	Black
4	Black	3	Blue
3	Blue	1	Brown
2	White		
1	Brown		
Pin #	Wire	Pin #	Wire

5P	3P

Pin Assignments  
Front View

UNIT:mm	
TOLERANCE	$\pm 0.50\text{mm}$

TITLE XLOK, A SHLD-5A, CABLE W/O SR F, F, MOLDING, PUSH LOCK			
SCALE 2:1	SIZE A4	SHEET 2 OF 2	
REV. C1	WC-REV. 2	QC: Inspection item	

**Amphenol LTW**  
 安費諾亮泰企業股份有限公司

ITEM NO	DRAWN BY Sam Ho	DATE 2023/11/12
DWG NO ASD-XXBFFM-QL8BXX	CHECKED BY Fred Lee	DATE 2023/11/12
CUSTOMER ALTW	APPROVED BY Fred Lee	DATE 2023/11/12