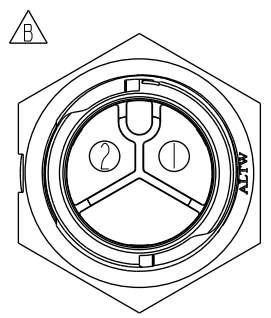
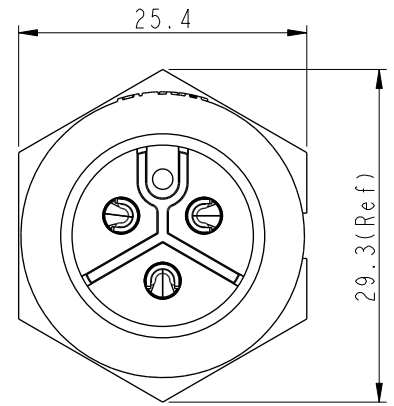
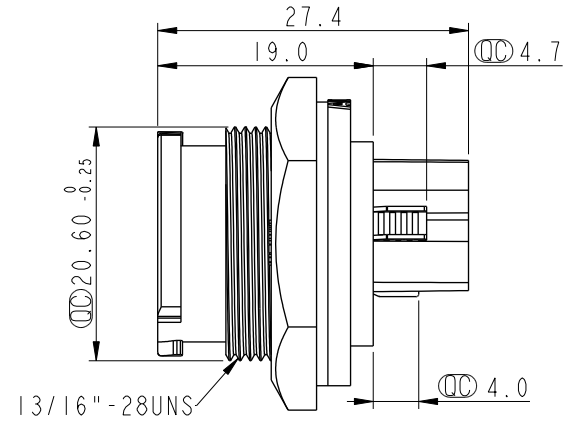
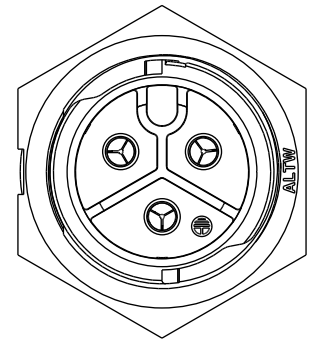


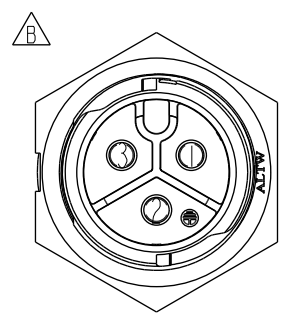
THIS DOCUMENT IS SUBJECT TO CHANGE WITHOUT NOTICE. IT IS CONFIDENTIAL AND A PROPERTY OF AMPHENOL LTW. DISCLOSURE TO THIRD PARTY HAS TO BE AUTHORIZED BY AMPHENOL LTW.

REV.	ECN NO.	DATE	SIGN	DESCRIPTION
C	C220254	2022/02/21	Xiaofeng	△C XI
D	C230087	2023/01/31	Vicky	△D X2
E	C230673	2023/05/23	Vicky	△E XI

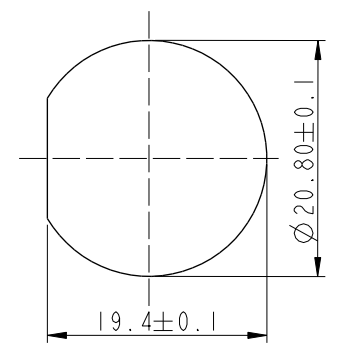
△B CC-XXPMMS-QC801P
XX: No. Of Pin



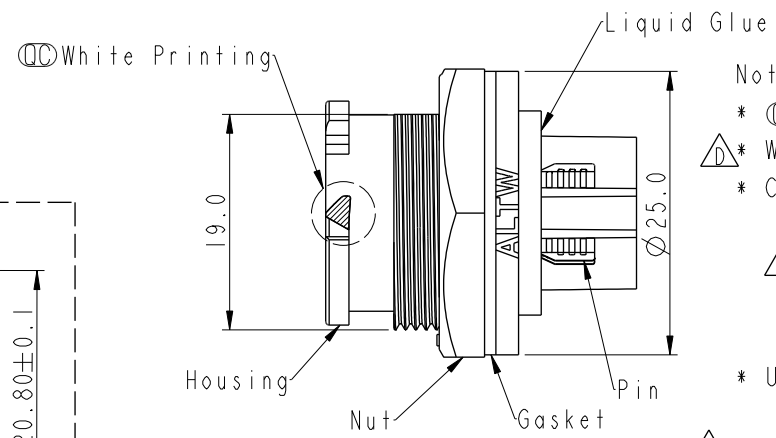
2Pin
Pin Assignments
Front View



3Pin
Pin Assignments
Front View



Recommender Panel Cut-Out



Note:

- * ∅ Important Dimension.
- △ * Waterproof Rate: IP68, Unmated 1M/24h.
- * Connector
- Housing: Thermoplastic, Black.
- △C Pin: Copper Alloy, Silver Plated.
- Gasket: Rubber, Gray.
- Nut: Thermoplastic Black.
- * Use with waterproof cap or dust cap
- Panel Thickness Max: 2.5mm.
- △B * Use without waterproof cap or dust cap
- Panel Thickness Max: 3.7mm.
- * Gasket and nut are packed separately in PE bag.
- △B * RoHS Compliant.

UNIT:mm		
TOLERANCE	.X ±0.25	
	.XX ±0.1	
	.XXX ±0.05	
ANGLES	±1°	

TITLE	XLOK, C-20A, FRONT FASTENED		
	M, M, SOLDER, PUSH LOCK(600V/10A:300V/20A)		
SCALE	3:2	SIZE	A4
REV.	E	WC-REV.	.0
		∅	Inspection item

Amphenol LTW
安費諾亮泰企業股份有限公司

ITEM NO	CC-XXPMMS-QC801P	DRAWN BY	Xiaofeng	DATE	2021/08/26
DWG NO	CC-XXPMMS-QC801P	CHECKED BY	Feng-Li	DATE	2021/08/26
CUSTOMER	ALTW	APPROVED BY	Jerry	DATE	2021/08/26