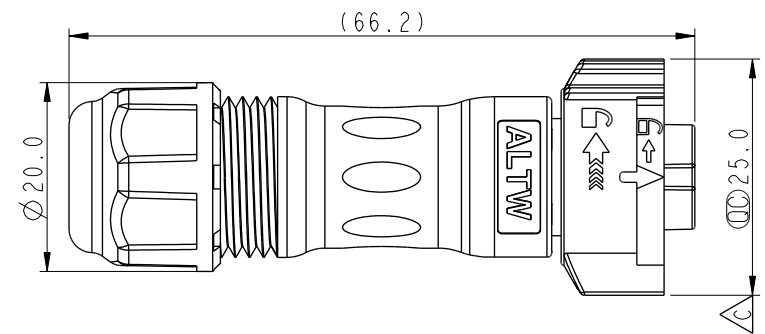
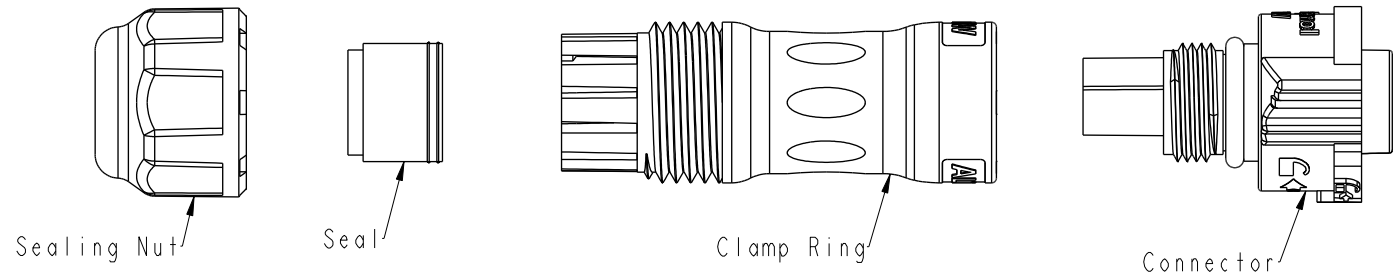


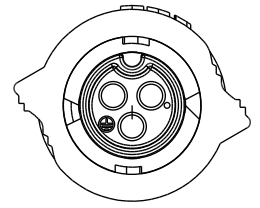
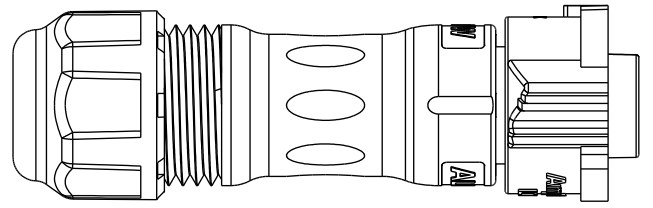
THIS DOCUMENT IS SUBJECT TO CHANGE WITHOUT NOTICE. IT IS CONFIDENTIAL AND A PROPERTY OF AMPHENOL LTW. DISCLOSURE TO THIRD PARTY HAS TO BE AUTHORIZED BY AMPHENOL LTW.

REV.	ECN NO.	DATE	SIGN	DESCRIPTION
B	C191299	2019/07/26	Jane	Update Ordering Information
C	C192018	2019/11/15	Vicky	$\triangle C$ X4
D	C231240	2023/09/22	Ruru	$\triangle D$ X2

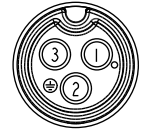
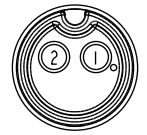


$\triangle D$ BB-XXBFMA-QL8XNP
 XX: No. Of Pin

- S: With Red Color Seal 1, Cable OD 5.0~6.0mm.
- M: With Yellow Color Seal 2, Cable OD 6.0~8.0mm.
- L: With Blue Color Seal 3, Cable OD 8.0~10.0mm.
- A: With Seal 1 & Seal 2 & Seal 3.



Pin Assignments Front View



2 Pin

3 Pin

- $\triangle C$ Note:
- * ϕ Important Dimension
 - * Waterproof Rate: IP68, mated 1m/24h
 - * Housing: Thermoplastic, Black
 - * Clamp Ring: Thermoplastic, Black
 - * Sealing Nut: Thermoplastic, Black
 - * Seals: Rubber
- $\triangle D$ * One set unassembled in one pe bag

UNIT:mm		TITLE	XLOK, B-10A, CABLE W/O SR F, M, FI CRIMP, XLOK	
TOLERANCE	± 0.5 mm	SCALE	1:1	SIZE A4
		REV.	D	WC-REV. A.5
				ϕ : Inspection item

Amphenol LTW
 安費諾亮泰企業股份有限公司

ITEM NO	BY	DATE
	Jane	2019-07-26
DWG NO	CHECKED BY	DATE
BB-XXBFMA-QL8XNP $\triangle C$	Brady	2019-07-26
CUSTOMER	APPROVED BY	DATE
ALTW	Neo	2019-07-26