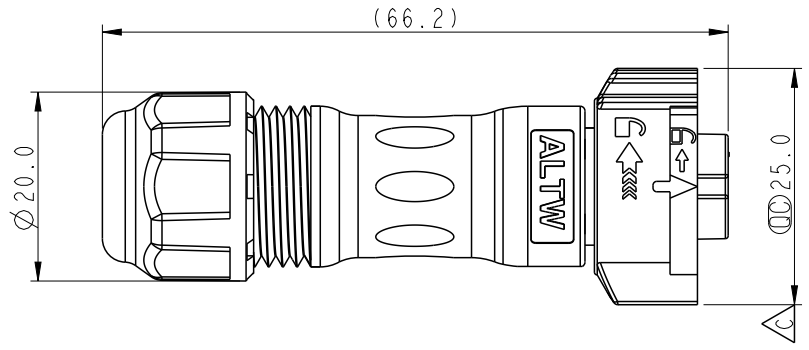
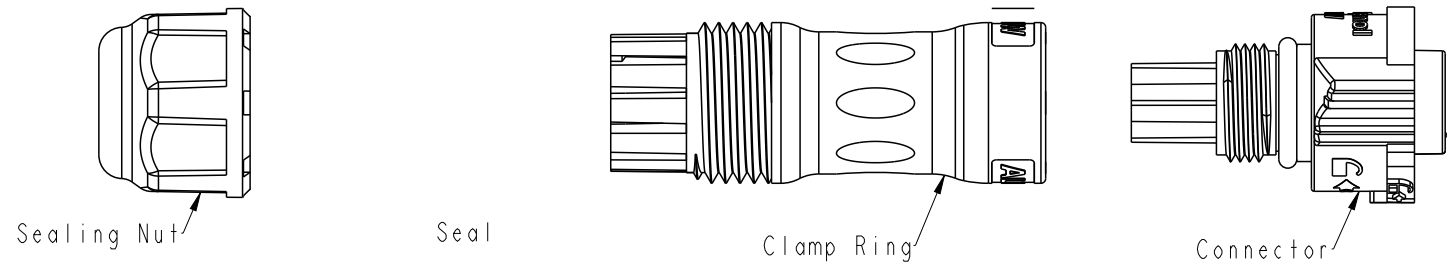


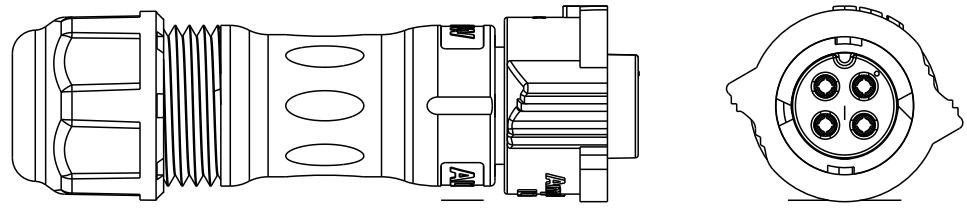
THIS DOCUMENT IS SUBJECT TO CHANGE WITHOUT NOTICE. IT IS CONFIDENTIAL AND A PROPERTY OF Amphenol LTW. DISCLOSURE TO THIRD PARTY HAS TO BE AUTHORIZED BY Amphenol LTW.

REV.	ECN NO.	DATE	SIGN	DESCRIPTION
B	C191299	2019/07/26	Jane	Update Ordering Information
C	C192018	2019/11/15	Vicky	△C x4
D	C231135	2023/08/30	Yunchen	△D XI

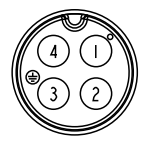
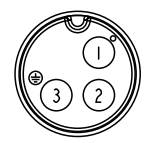
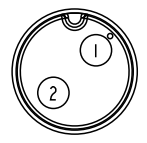


BB-XXBFFA-QL8XPP

02-2Pin S: With Red Color Seal 1, Cable OD 5.0~6.0mm.
 03-3Pin M: With Yellow Color Seal 2, Cable OD 6.0~8.0mm.
 04-4Pin L: With Blue Color Seal 3, Cable OD 8.0~10.0mm.
 A: With Seal 1 & Seal 2 & Seal 3.



Pin Assignments Front View



2 Pin

3 Pin

4 Pin

- △ Note:
- * ∅ Important Dimension
 - * Waterproof Rate: IP68, Mated IP68: IM Depth Of Water In 24hours
 - * Housing: Thermoplastic, Black
 - * Pin: Copper Alloy, Gold Plated
 - * Clamp Ring: Thermoplastic, Black
 - * Sealing Nut: Thermoplastic, Black
 - * Seals: Rubber
 - △ * One set unassembled in one PE bag

UNIT:mm		TITLE	XLOK, B-10A, CABLE W/O SR F, F, FI CRIMP, XLOK	
TOLERANCE		SCALE	1:1	SIZE A4
±0.5 mm		REV.	D	WC-REV. A.5
				∅: Inspection item

Amphenol LTW		ITEM NO	DRAWN BY	DATE
安費諾亮泰企業股份有限公司		DWG NO	Jane	2019-07-26
		CUSTOMER	Brady	2019-07-26
			Neo	2019-07-26