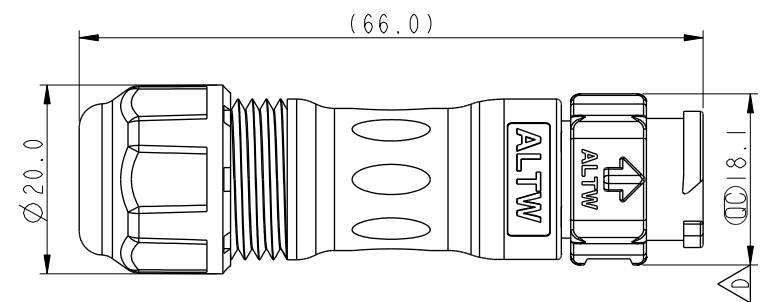
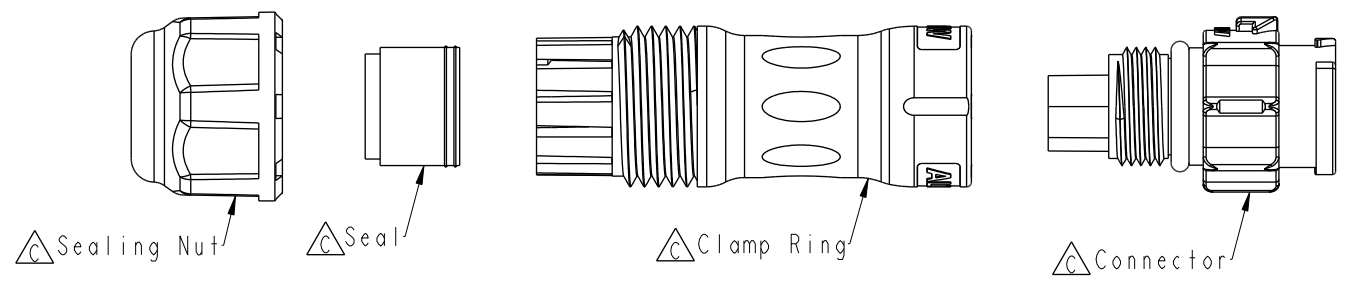
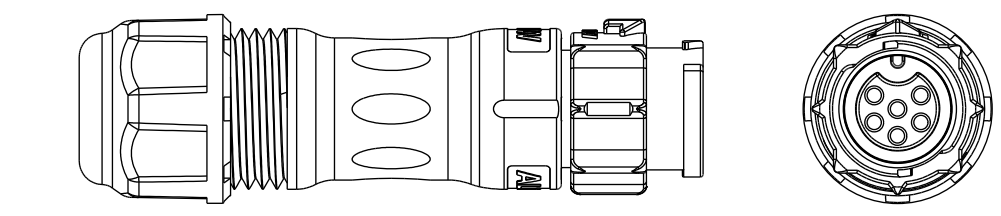


THIS DOCUMENT IS SUBJECT TO CHANGE WITHOUT NOTICE. IT IS CONFIDENTIAL AND A PROPERTY OF Amphenol LTW. DISCLOSURE TO THIRD PARTY HAS TO BE AUTHORIZED BY Amphenol LTW.

REV.	ECN NO.	DATE	SIGN	DESCRIPTION
D	C192023	2019/11/20	Vicky	△D X4
E	C200590	2020/05/05	Victor Hung	△E X2
F	C231241	2023/09/22	Ruru	△E X2



BD-XXBMFA-QL8XP0  
 △F XX: No. Of Pin  
 △C S: With Red Color Seal 1, Cable OD 5.0~6.0mm.  
 M: With Yellow Color Seal 2, Cable OD 6.0~8.0mm.  
 L: With Blue Color Seal 3, Cable OD 8.0~10.0mm.  
 A: With Seal 1 & Seal 2 & Seal 3.



Pin Assignments Front View	2 Pin	3 Pin	4 Pin	5 Pin	6 Pin

△D Note:  
 \* ∅ Important Dimension  
 \* Waterproof Rate: IP68, mated 1m/24h  
 \* Housing: Thermoplastic, Black  
 \* Clamp Ring: Thermoplastic, Black  
 \* Sealing Nut: Thermoplastic, Black  
 \* Seals: Rubber  
 △F \* One set unassembled in one pe bag

UNIT:mm		TITLE
TOLERANCE	$\pm 0.5mm$	XLOK, B-5A, CABLE W/O SR M, F, FI CRIMP, XLOK
SCALE	1:1	SIZE A4
REV.	F	WC-REV. .0
		QC: Inspection item

**Amphenol LTW**  
 安費諾亮泰企業股份有限公司

ITEM NO	DRAWN BY	DATE
	Victor Hung	2020/05/05
DWG NO	CHECKED BY	DATE
BD-XXBMFA-QL8XN0	Aric Ko	2020/05/05
CUSTOMER	APPROVED BY	DATE
ALTW	Max Yang	2020/05/05