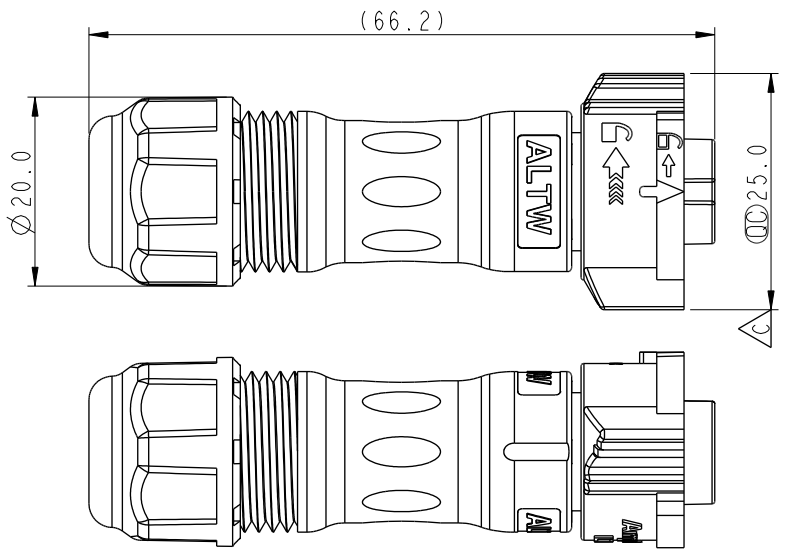
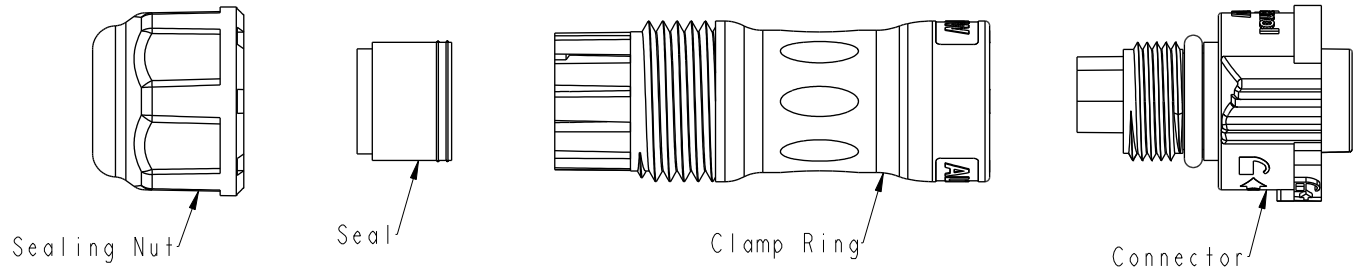
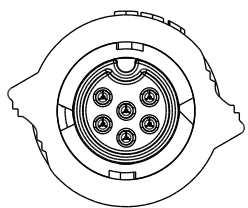


THIS DOCUMENT IS SUBJECT TO CHANGE WITHOUT NOTICE. IT IS CONFIDENTIAL AND A PROPERTY OF Amphenol LTW. DISCLOSURE TO THIRD PARTY HAS TO BE AUTHORIZED BY Amphenol LTW.

REV.	ECN NO.	DATE	SIGN	DESCRIPTION
C	C192023	2019/11/20	Vicky	△C X4
D	C200637	2020/05/11	Victor Hung	△D X2
E	C231241	2023/09/22	Ruru	△E X2



△E BD-XXBFMA-QL8XP0  
 XX: No. Of Pin  
 △B S: With Red Color Seal 1, Cable OD 5.0~6.0mm.  
 M: With Yellow Color Seal 2, Cable OD 6.0~8.0mm.  
 L: With Blue Color Seal 3, Cable OD 8.0~10.0mm.  
 A: With Seal 1 & Seal 2 & Seal 3.



Pin Assignments Front View	2 Pin	3 Pin	4 Pin	5 Pin	6 Pin

△C Note:  
 \* ∅ Important Dimension  
 \* Waterproof Rate: IP68, mated 1m/24h  
 \* Housing: Thermoplastic, Black  
 \* Pin: Copper Alloy, Gold Plated  
 \* Clamp Ring: Thermoplastic, Black  
 \* Sealing Nut: Thermoplastic, Black  
 \* Seals: Rubber  
 △E \* One set unassembled in one pe bag

UNIT:mm TOLERANCE ±0.5mm	TITLE XLOK, B-5A, CABLE W/O SR F, M, FI CRIMP, XLOK		Amphenol LTW 安費諾亮泰企業股份有限公司	ITEM NO	DRAWN BY Victor Hung	DATE 2020/05/11		
	SCALE 1:1	SIZE A4		SHEET 1	OF 1	DWG NO BD-XXBFMA-QL8XP0 △C	CHECKED BY Aric Ko	DATE 2020/05/11
	REV. E	WC-REV. .0		∅: Inspection item		CUSTOMER ALTW	APPROVED BY Max Yang	DATE 2020/05/11