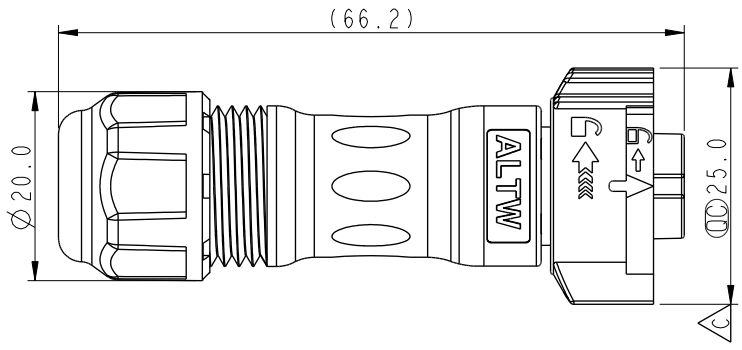
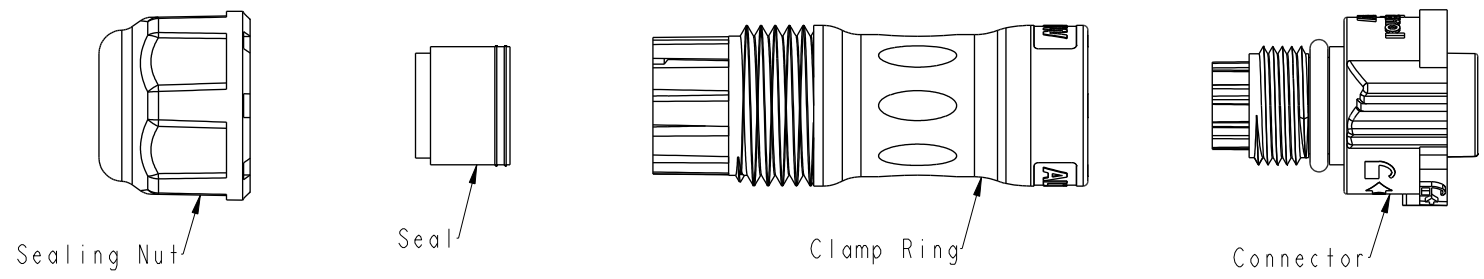


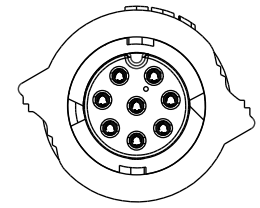
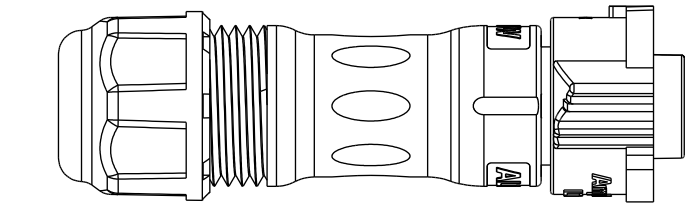
THIS DOCUMENT IS SUBJECT TO CHANGE WITHOUT NOTICE. IT IS CONFIDENTIAL AND A PROPERTY OF Amphenol LTW. DISCLOSURE TO THIRD PARTY HAS TO BE AUTHORIZED BY Amphenol LTW.

REV.	ECN NO.	DATE	SIGN	DESCRIPTION
B	C191299	2019/07/26	Jane	Update Ordering Information
C	C192023	2019/11/20	Vicky	△C X4
D	C231241	2023/09/22	Ruru	△D X2



△D BD-XXBFFA-QL8XP0
 XX: No. Of Pin

- △S: With Red Color Seal 1, Cable OD 5.0~6.0mm.
- △M: With Yellow Color Seal 2, Cable OD 6.0~8.0mm.
- △L: With Blue Color Seal 3, Cable OD 8.0~10.0mm.
- △A: With Seal 1 & Seal 2 & Seal 3.



- △C Note:
- * ∅ Important Dimension
 - * Waterproof Rate: IP68, mated 1m/24h
 - * Housing: Thermoplastic, Black
 - * Pin: Copper Alloy, Gold Plated
 - * Clamp Ring: Thermoplastic, Black
 - * Sealing Nut: Thermoplastic, Black
 - * Seals: Rubber
 - △D * One set unassembled in one pe bag

Pin Assignments Front View	2 Pin	3 Pin	4 Pin	5 Pin	6 Pin	7 Pin	8 Pin

UNIT:mm			TITLE
TOLERANCE			XLOK, B-5A, CABLE W/O SR F, F, FI CRIMP, XLOK
±0.5mm	SCALE 1:1	SIZE A4	SHEET 1 OF 1
	REV. D	WC-REV. A.5	∅∅: Inspection item

Amphenol LTW
 安費諾亮泰企業股份有限公司

ITEM NO	DRAWN BY	DATE
	Jane	2019-07-26
DWG NO	CHECKED BY	DATE
BD-XXBFFA-QL8XP0△C	Brady	2019-07-26
CUSTOMER	APPROVED BY	DATE
ALTW	Neo	2019-07-26