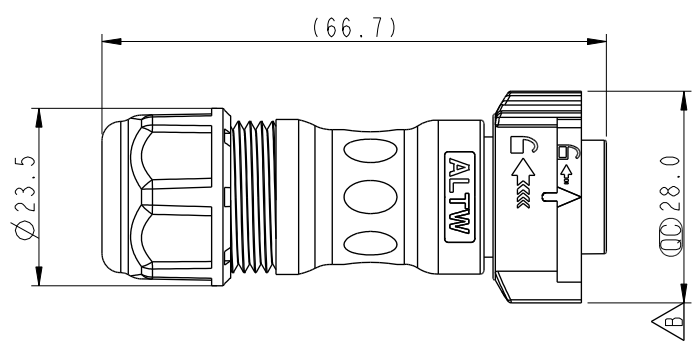
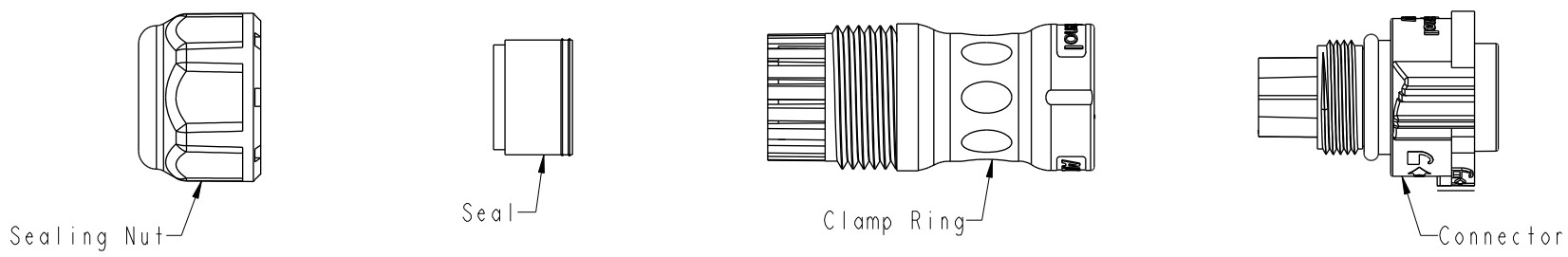


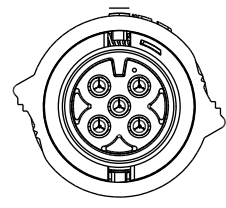
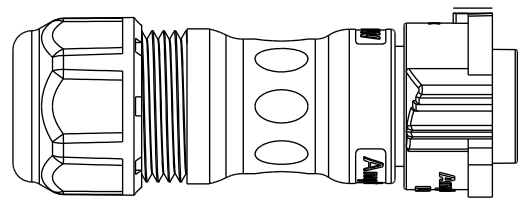
THIS DOCUMENT IS SUBJECT TO CHANGE WITHOUT NOTICE. IT IS CONFIDENTIAL AND A PROPERTY OF AMPHENOL LTW. DISCLOSURE TO THIRD PARTY HAS TO BE AUTHORIZED BY AMPHENOL LTW.

REV.	ECN NO.	DATE	SIGN	DESCRIPTION
B	E191825	2019/11/04	Ruru	$\triangle B$ X4
C	C231240	2023/09/20	Ruru	$\triangle C$ X2

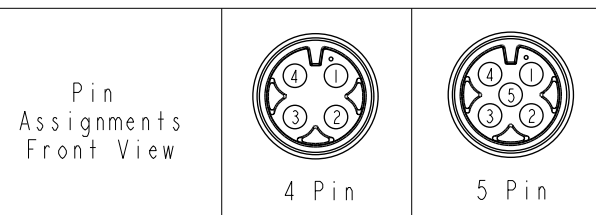


CB-XXBFMA-QL8XP0
 $\triangle C$
 XX: No. Of Pin

- S: With Red Color Seal 1, Cable OD 6.0~8.0mm.
- M: With Yellow Color Seal 2, Cable OD 8.0~10.0mm.
- L: With Blue Color Seal 3, Cable OD 10.0~12.0mm.
- A: With Seal 1 & Seal 2 & Seal 3.



- $\triangle B$ Note:
- * ϕ Important Dimension
 - * Waterproof rate: IP68, mated 1m/24h
 - * Housing: Thermoplastic, Black
 - * Pin: Copper Alloy, Gold Plated
 - * Clamp Ring: Thermoplastic, Black
 - * Sealing Nut: Thermoplastic, Black
 - * Seals: Rubber
- $\triangle C$ * One set unassembled in one pe bag



UNIT:mm TOLERANCE ± 0.5 mm	TITLE XLOK, C-10A, CABLE W/O SR F, M, FI CRIMP, XLOK $\triangle B$		Amphenol LTW 安費諾亮泰企業股份有限公司		ITEM NO	DRAWN BY Ruru	DATE 2019-11-04
	SCALE 33:100	SIZE A4			SHEET 1	OF 1	DWG NO CB-XXBFMA-QL8XP0 $\triangle B$
	REV. C	WC-REV. A.1	QC: Inspection item		CUSTOMER ALTW	APPROVED BY Max	DATE 2019-11-04