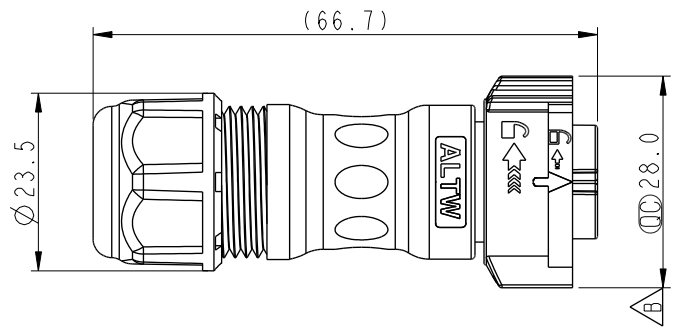
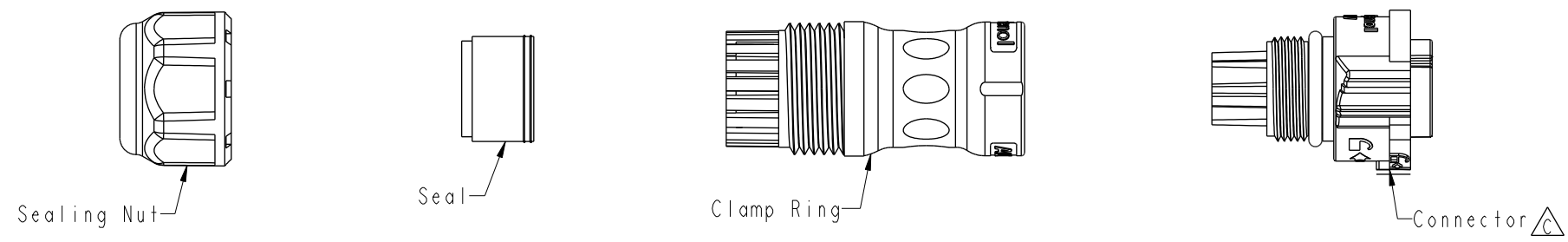


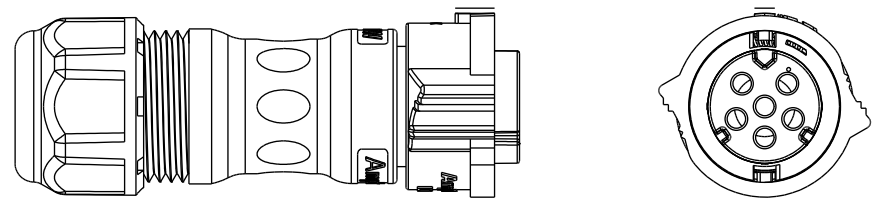
THIS DOCUMENT IS SUBJECT TO CHANGE WITHOUT NOTICE. IT IS CONFIDENTIAL AND A PROPERTY OF Amphenol LTW. DISCLOSURE TO THIRD PARTY HAS TO BE AUTHORIZED BY Amphenol LTW.

REV.	ECN NO.	DATE	SIGN	DESCRIPTION
C	C220628	2022/05/06	Vicky	△C X3
D	C230084	2023/01/30	Vicky	△D XI
E	C231240	2023/09/20	Ruru	△E XI

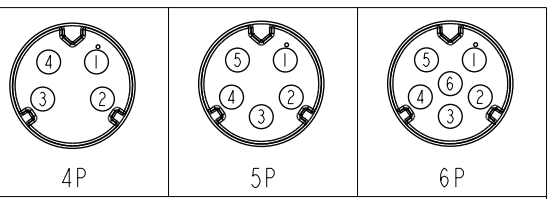


△C CB-XXBFFA-QL8XN0
 XX: No. Of Pin

- S: With Red Color Seal 1, Cable OD 6.0~8.0mm
- M: With Yellow Color Seal 2, Cable OD 8.0~10.0mm
- L: With Blue Color Seal 3, Cable OD 10.0~12.0mm
- A: With Seal 1 & Seal 2 & Seal 3



- △B △C
 Note:
- * RoHS Compliant
 - * ⌀ Important dimension
 - △D * Waterproof rate: IP68, mated 1m/24h
 - * Connector
 - Housing: Thermoplastic, Black
 - Nut: Thermoplastic, Black
 - O-Ring: Rubber, Dark gray
 - * Clamp Ring: Thermoplastic, Black
 - * Sealing Nut: Thermoplastic, Black
 - * Seal: Rubber
 - △E * One set unassembled in one pe bag



Pin Assignments Front View

UNIT:mm		TITLE	XLOK, C-10A, CABLE W/O SR F, F, FI CRIMP, XLOK	△B					
TOLERANCE	± 0.5 mm	SCALE	1:1	SIZE	A4	SHEET	1	OF	1
REV.	E	WC-REV.	A.1	QC	Inspection item				

Amphenol LTW
 安費諾亮泰企業股份有限公司

ITEM NO	DRAWN BY	DATE
	Ruru	2019-11-04
DWG NO	CHECKED BY	DATE
△B CB-XXBFFA-QL8XN0	Rita	2019-11-04
CUSTOMER	APPROVED BY	DATE
ALTW	Max	2019-11-04