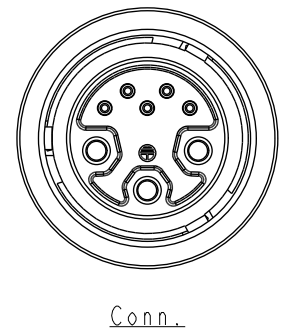
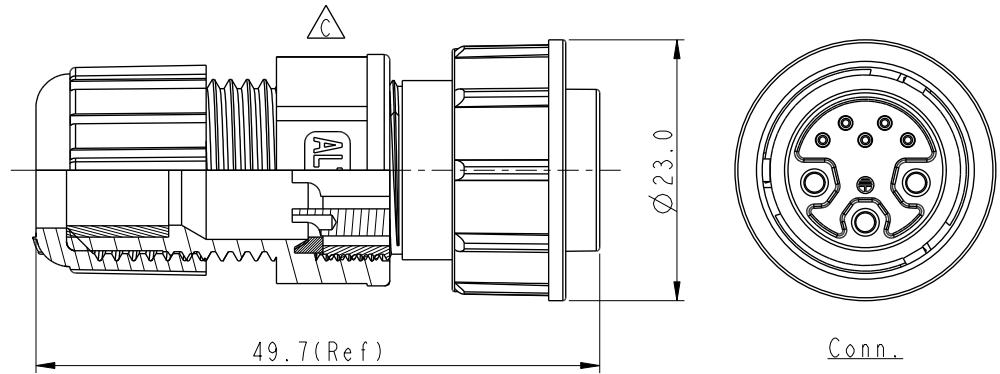
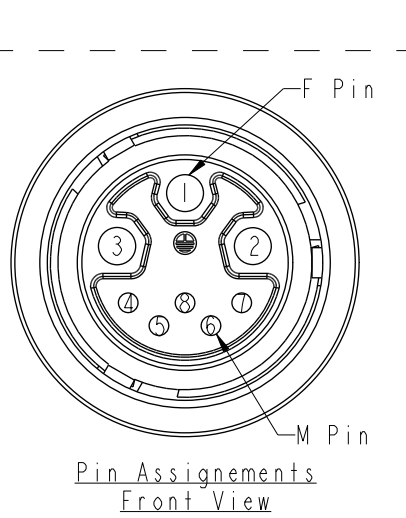
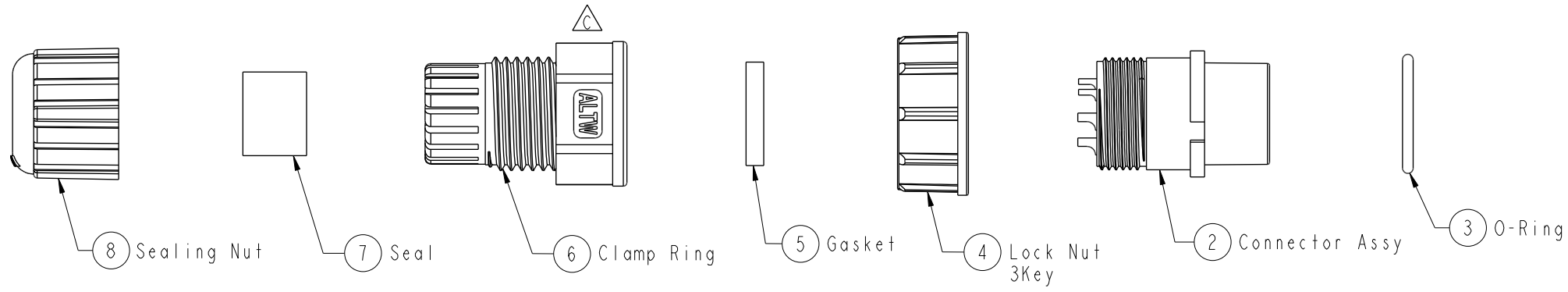


THIS DOCUMENT IS SUBJECT TO CHANGE WITHOUT NOTICE. IT IS CONFIDENTIAL AND A PROPERTY OF Amphenol LTW. DISCLOSURE TO THIRD PARTY HAS TO BE AUTHORIZED BY Amphenol LTW.

REV.	ECN NO.	DATE	SIGN	DESCRIPTION
B	LEN1350051	2013/04/24	Ruru	Modify Cable OD Max
C	LEN1741310	2017/04/20	Ruru	Change Logo
D	C231272	2023/10/03	Vicky	$\triangle D$ X2



- Note:
- \*  $\varnothing$  Important Dimension.
  - \* Waterproof Rate: IP67
  - \* Connector: Nylon+GF, Black
  - \* Pin: Copper Alloy, Gold Plated
  - \* O-Ring: EPDM, Black
  - \* Lock Nut: Nylon+GF, Black
  - \* Gasket: Silicone, Black
  - \* Clamp Ring: Nylon, Black
  - \* Seal: EPDM, Black
  - \* Sealing Nut: Nylon, Black
  - \* Cable OD Max :  $\varnothing 7.6 \sim \varnothing 9.6\text{mm}$
  - \*  $\triangle B$   $\triangle D$  One set unassembled in one pe bag

UNIT:mm			TITLE CERES, C-10A+2A, 08P, CABLE W/O SR F, F PWR+M SIG, FI SOLDER, 3LOCK $\triangle D$
TOLERANCE .X ±0.25 .XX ±0.1 .XXX ±0.05 ANGLES ±1°	SCALE 1:1	SIZE A4	SHEET 1 OF 1
REV. D	WC-REV. B.2	$\varnothing$ Inspection item	

**Amphenol LTW**  
安費諾亮泰企業股份有限公司

ITEM NO CBU-08BFDA-TL7001	DRAWN BY Ruru	DATE 2017-04-20
DWG NO CBU-08BFDA-TL7001	CHECKED BY Rita	DATE 2017-04-20
CUSTOMER ALTW	APPROVED BY Max	DATE 2017-04-20