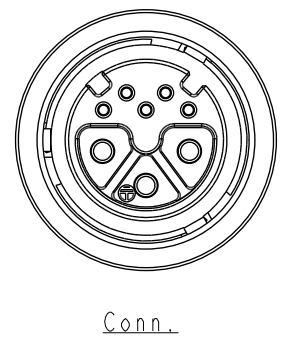
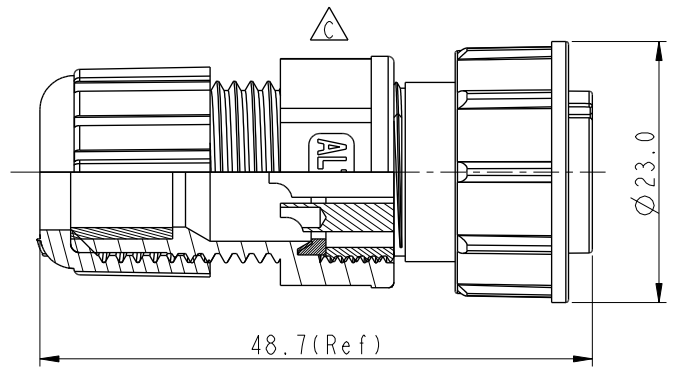
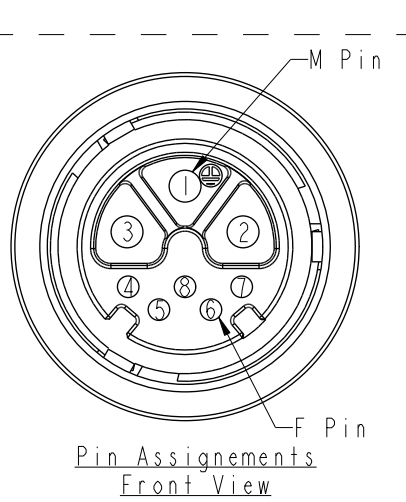
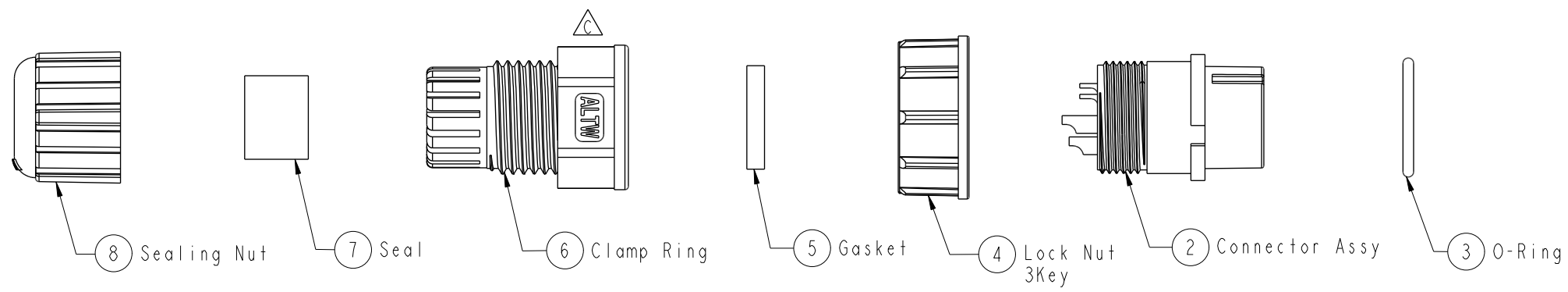


THIS DOCUMENT IS SUBJECT TO CHANGE WITHOUT NOTICE. IT IS CONFIDENTIAL AND A PROPERTY OF Amphenol LTW. DISCLOSURE TO THIRD PARTY HAS TO BE AUTHORIZED BY Amphenol LTW.

REV.	ECN NO.	DATE	SIGN	DESCRIPTION
B	LEN1350052	2013/04/24	Ruru	Modify Cable OD Max
C	LEN1741311	2017/04/20	Ruru	Change Logo
D	C231272	2023/10/03	Vicky	\triangle X2



- Note:
- * \varnothing Important Dimension.
 - * Waterproof Rate: IP67
 - * Connector: Nylon+GF, Black
 - * Pin: Copper Alloy, Gold Plated
 - * O-Ring: EPDM, Black
 - * Lock Nut: Nylon+GF, Black
 - * Gasket: Silicone, Black
 - * Clamp Ring: Nylon, Black
 - * Seal: EPDM, Black
 - * Sealing Nut: Nylon, Black
 - * Cable OD Max : $\varnothing 7.6 \sim \varnothing 9.6\text{mm}$
 - * \triangle One set unassembled in one pe bag

UNIT:mm		
TOLERANCE	.X ± 0.25	
	.XX ± 0.1	
	.XXX ± 0.05	
ANGLES	$\pm 1^\circ$	

TITLE 0 CERES, C-10A+2A, 08P, CABLE W/O SR F, M PWR+F SIG, FI SOLDER, 3LOCK \triangle			
SCALE 1:1	SIZE A4	SHEET 1 OF 1	
REV. D	WC-REV. B.2	\varnothing : Inspection item	

Amphenol LTW
安費諾亮泰企業股份有限公司

ITEM NO CBU-08BFEA-TL7001	DRAWN BY Ruru	DATE 2017-04-20
DWG NO CBU-08BFEA-TL7001	CHECKED BY Rita	DATE 2017-04-20
CUSTOMER ALTW	APPROVED BY Max	DATE 2017-04-20