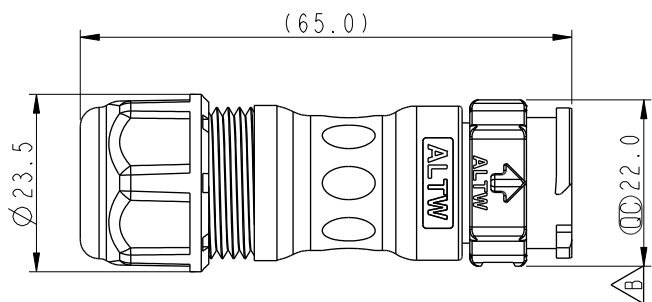
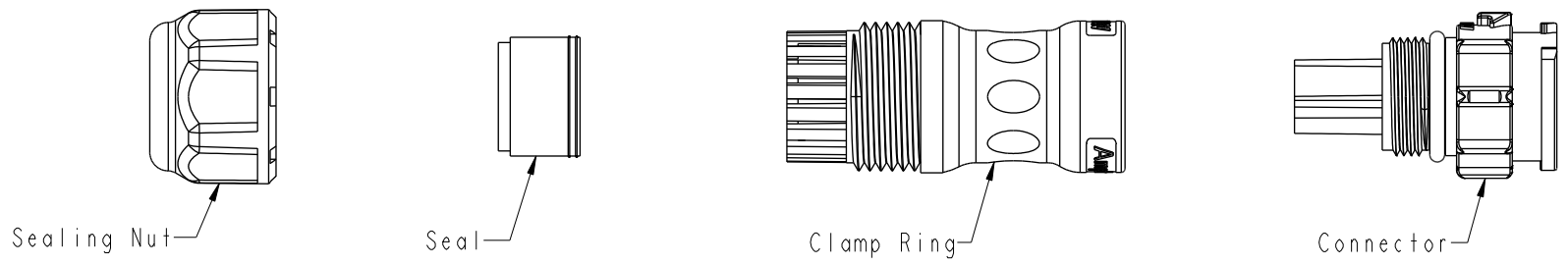


THIS DOCUMENT IS SUBJECT TO CHANGE WITHOUT NOTICE. IT IS CONFIDENTIAL AND A PROPERTY OF AMPHENOL LTW. DISCLOSURE TO THIRD PARTY HAS TO BE AUTHORIZED BY AMPHENOL LTW.

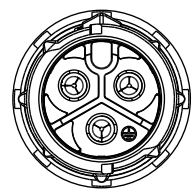
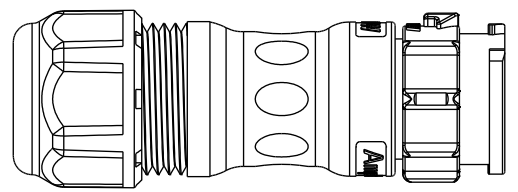
REV.	ECN NO.	DATE	SIGN	DESCRIPTION
B	E191899	2019/11/13	Ruru	$\triangle B$ X4
C	C231238	2023/09/20	Vicky	$\triangle C$ XI



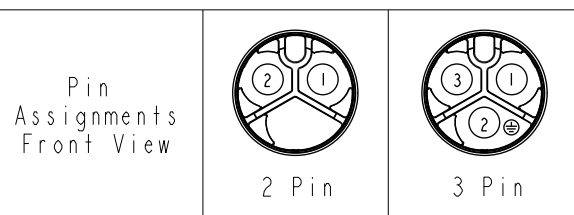
CC-XXBMMA-QL8XPP

02-2 Pin  
03-3 Pin

S: With Red Color Seal 1, Cable OD 6.0~8.0mm.  
M: With Yellow Color Seal 2, Cable OD 8.0~10.0mm.  
L: With Blue Color Seal 3, Cable OD 10.0~12.0mm.  
A: With Seal 1 & Seal 2 & Seal 3.



- $\triangle B$  Note:
- \*  $\text{\textcircled{D}}$  Important Dimension
  - \* Waterproof Rate: IP68, Mated  
IP68 : 1M Depth Of Water In 24hours
  - \* Housing: Thermoplastic, Black
  - \* Pin: Copper Alloy, Gold Plated
  - \* Clamp Ring: Thermoplastic, Black
  - \* Sealing Nut: Thermoplastic, Black
  - \* Seals: Rubber
  - $\triangle C$  \* One set unassembled in one pe bag



UNIT:mm	$\text{\textcircled{D}}$ $\text{\textcircled{A}}$	TITLE	XLOK, C-20A, CABLE W/O SR M, M, FI CRIMP, XLOK $\triangle B$		ITEM NO	DRAWN BY	DATE
TOLERANCE	$\pm 0.5$ mm	SCALE	1:1	SIZE A4	DWG NO	CHECKED BY	DATE
		REV.	C	WC-REV. A.1	CUSTOMER	APPROVED BY	DATE
				$\text{\textcircled{C}}$ : Inspection item	ALTW	Max	2019-11-13
				<b>Amphenol LTW</b> 安費諾亮泰企業股份有限公司		Ruru	2019-11-13
						Rita	2019-11-13
							2019-11-13