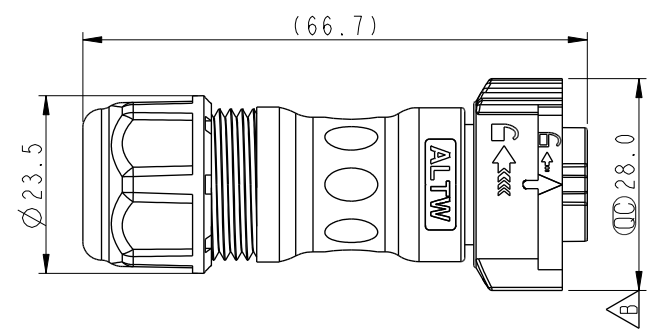
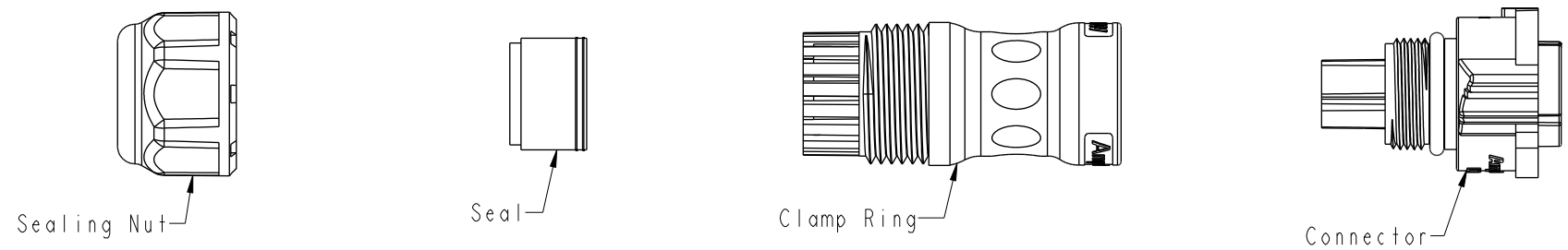


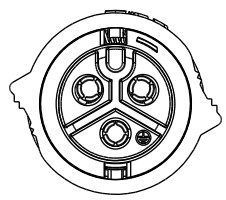
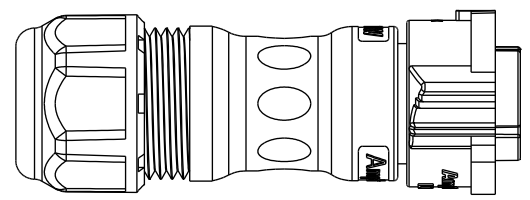
THIS DOCUMENT IS SUBJECT TO CHANGE WITHOUT NOTICE. IT IS CONFIDENTIAL AND A PROPERTY OF Amphenol LTW. DISCLOSURE TO THIRD PARTY HAS TO BE AUTHORIZED BY Amphenol LTW.

REV.	ECN NO.	DATE	SIGN	DESCRIPTION
B	E191899	2019/11/12	Ruru	$\triangle B$ X4
C	C231238	2023/09/20	Vicky	$\triangle C$ XI

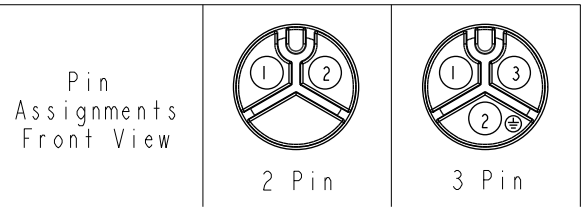


CC-XXBFFA-QL8XPP  
 02-2 Pin  
 03-3 Pin

- S: With Red Color Seal 1, Cable OD 6.0~8.0mm.
- M: With Yellow Color Seal 2, Cable OD 8.0~10.0mm.
- L: With Blue Color Seal 3, Cable OD 10.0~12.0mm.
- A: With Seal 1 & Seal 2 & Seal 3.



- $\triangle B$  Note:
- \*  $\varnothing$  Important Dimension
  - \* Waterproof Rate: IP68, Mated  
IP68 : IM Depth Of Water In 24hours
  - \* Housing: Thermoplastic, Black
  - \* Pin: Copper Alloy, Gold Plated
  - \* Clamp Ring: Thermoplastic, Black
  - \* Sealing Nut: Thermoplastic, Black
  - \* Seals: Rubber
- $\triangle C$  \* One set unassembled in one pe bag



UNIT:mm		TITLE	XLOK, C-20A, CABLE W/O SR F, F, FI CRIMP, XLOK $\triangle B$	
TOLERANCE	$\pm 0.5$ mm	SCALE	1:1	SIZE A4
		REV.	C	WC-REV. A.1
			$\varnothing$ : Inspection item	

**Amphenol LTW**  
 安費諾亮泰企業股份有限公司

ITEM NO	DRAWN BY	DATE
	Ruru	2019-11-12
DWG NO	CHECKED BY	DATE
CC-XXBFFA-QL8XPP $\triangle B$	Rita	2019-11-12
CUSTOMER	APPROVED BY	DATE
ALTW	Max	2019-11-12